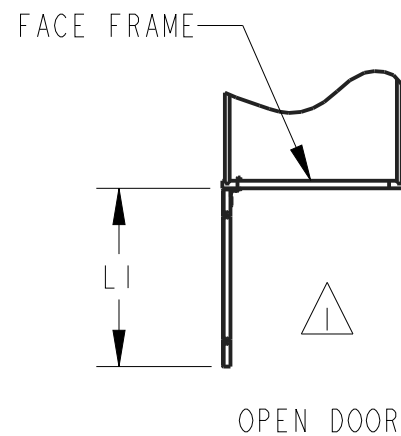
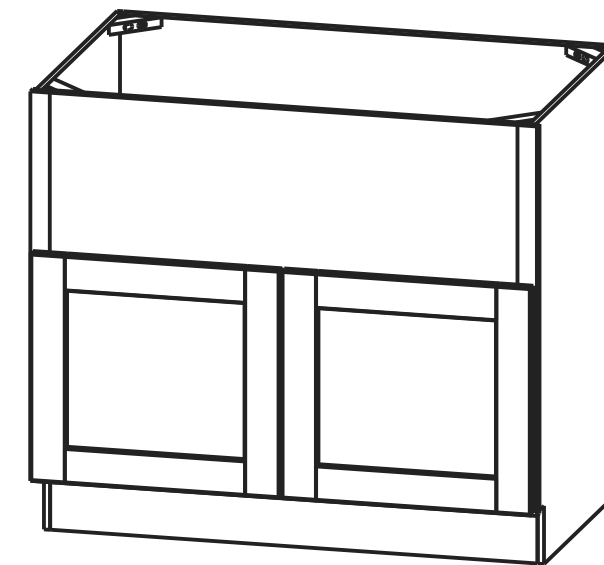
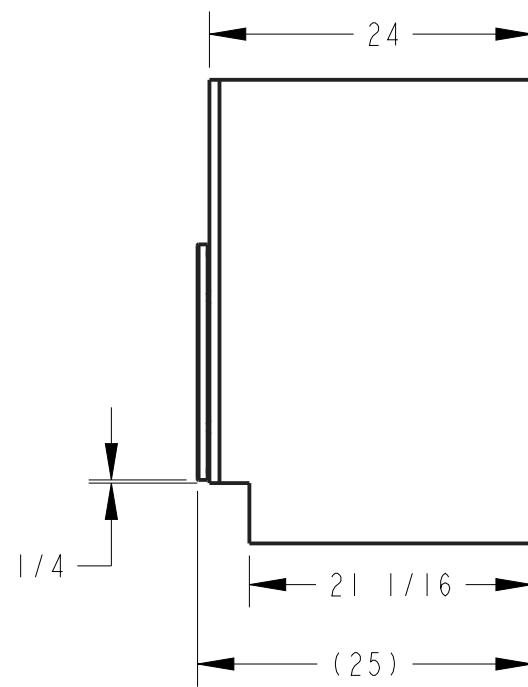
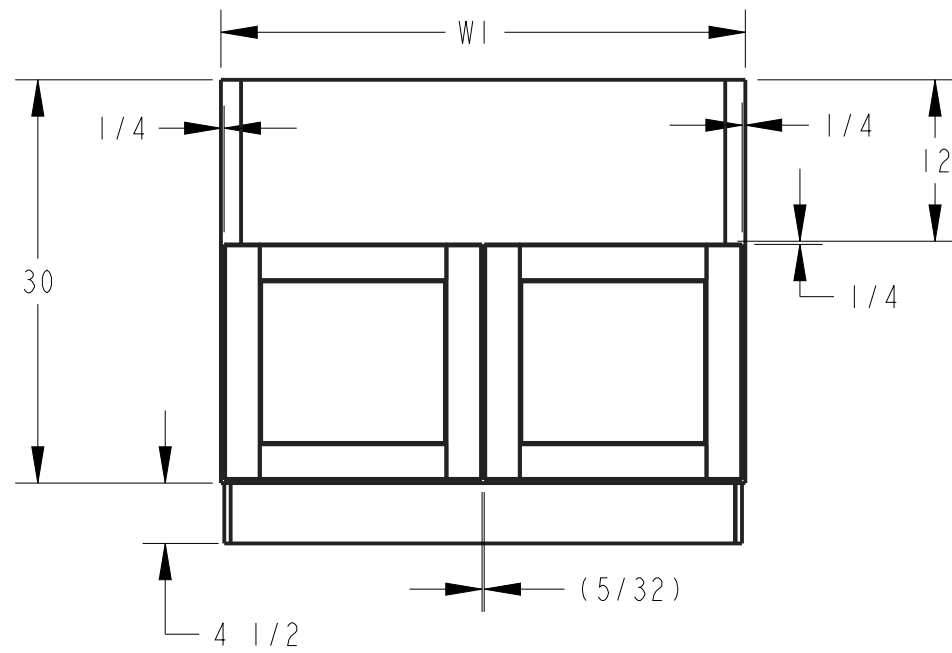


NOTES:

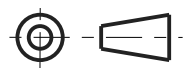
 OPEN DOOR VIEW INCLUDES HINGE SPACE OFFSET.

PRODUCT	WI	LI	DOOR SIZE
			ROUNDED TO THE NEAREST 1/32
SBF36	36"	17 13/16"	17 11/16" x 17 17/32"
SBF39	39"	19 5/16"	19 3/16" x 17 17/32"



PRODUCT SHOWN SBF39

DOCUMENT STATUS: **Released**

THIRD ANGLE PROJECTION 		hardware resources		
MATERIAL N/A	FINISH N/A			
DRAWN BY ANDY BROWN	DATE 30MAR2020	DRAWING NUMBER SBF36-SBF39_FULL_OVERLAY		REV A
DESIGNED BY NORTHPOINT	DATE 22APR2020	SIZE A3	SCALE 0.071	SHEET 1 / 1

HARDWARE RESOURCES RESERVES THE RIGHT TO CHANGE SPECIFICATIONS WITHOUT NOTICE.
IN CASE OF A DISCREPANCY, ACTUAL PART GEOMETRY SUPERSEDES THIS DOCUMENT.

THE INFORMATION CONTAINED WITHIN THIS DRAWING IS THE SOLE PROPERTY OF HARDWARE RESOURCES INC. ANY REPRODUCTION IN PART OR WHOLE WITHOUT WRITTEN PERMISSION OF HARDWARE RESOURCES INC. IS PROHIBITED.