



Lustra™
Elongated toilet seat with check hinge
K-4670-C

Features

- KOHLER® plumbing products combine beautiful form and reliable function
- Elongated, open-front toilet seat
- Check hinge

Material

- Polypropylene



Codes/Standards

IAPMO/ANSI Z124.5


**KOHLER® One-Year Limited
Warranty**

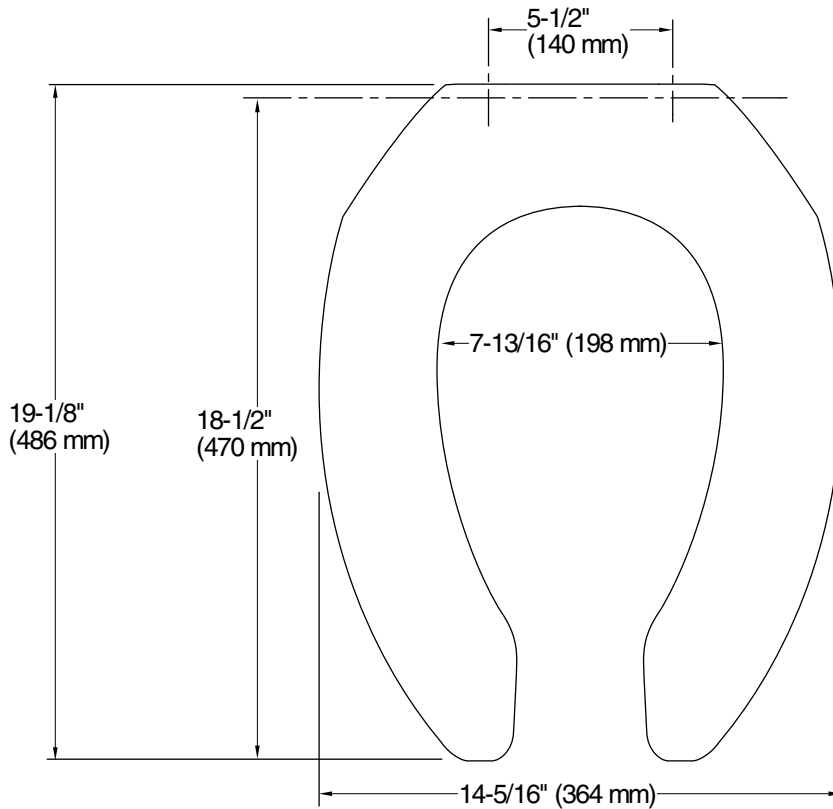
See website for detailed warranty information.

Available Colors/Finishes

Color tiles intended for reference only.

Color Code Description

	0	White
---	---	-------



Technical Information

All product dimensions are nominal.

Seat shape type: Elongated
Seat front type: Open-front
Seat hinge type: Check
Seat-mounting holes: 5-1/2" (140 mm)

Pressure/fixture Supply Requirements

Notes

Install this product according to the installation instructions.