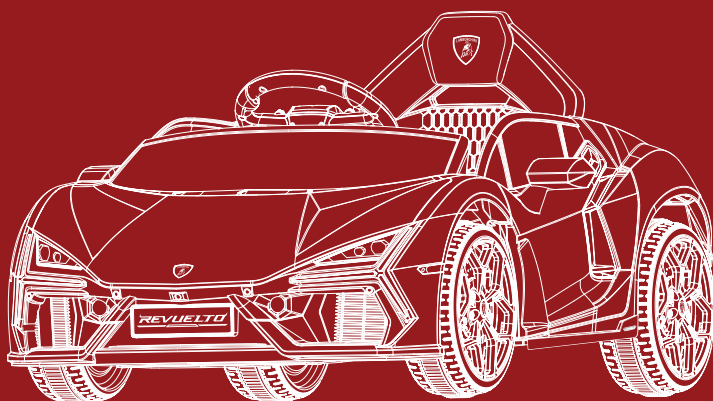




BEST CHOICE
PRODUCTS



INSTRUCTION MANUAL

12V Licensed Lamborghini
Revuelto Ride On

SKY9095 + SKY9096 + SKY9097 + SKY9098 + SKY9099 + SKY9100
SKY9101 + SKY9102



**BEST CHOICE
PRODUCTS**

As shoppers, we're always trying to find the perfect balance between quality & value. At BCP, we believe we've achieved that. Our diverse catalog of everyday essentials is tailored especially to our customers & guaranteed to hit that sweet spot of high quality & low price.

— Always. —



Charge for **12 hrs**
before initial use.

After initial charge,
follow the normal
recommended
charging time.



SAFETY

Please retain these instructions for future reference.

This vehicle must be assembled by an adult who has read and understood the instructions in this manual. Keep the packaging and bags away from children and dispose of all packaging before use. Always use common sense and safe practices when operating this vehicle. This product contains or emits chemicals known in the state of California to cause cancer or birth defects or other reproductive harm.

NOTE: For best performance, only use this vehicle on flat and hard surfaces.

AGE RANGE: 3 to 6 years old

WEIGHT CAPACITY: 66 lbs.

The following safety hazards may result in serious injury or death:

- This product contains small parts. Keep children away during assembly. Make sure to remove all packaging material and parts from underneath the vehicle body.
- Never open the battery. Batteries contain lead and lead compounds (acids) that are toxic and corrosive, and known to the state of California to cause cancer and reproductive harm.
- Limbs, hair, and clothing can get caught in moving parts. Always wear shoes, keep limbs away from moving parts, and do not wear loose clothing while operating this vehicle.
- This vehicle does not have brakes or braking capability. Do not leave a child unattended during operation. Do not use this in a location that may require braking capability, as this could result in loss of control, which may cause serious injury or death.
- Use of this vehicle near streets, motor vehicles, steps, bodies of water, sloped surfaces, hills, wet areas, flammable vapors, in alleys, at night, or in the dark could result in an unexpected accident.
- Use of this vehicle in unsafe conditions such as snow, rain, loose dirt, mud, sand, or gravel may result in an unexpected accident such as tipping over, and could damage the electrical system or battery.
- Do not operate this vehicle in an unsafe manner. Examples include but are not limited to:
 - Pulling the vehicle with another vehicle or similar device
 - Allowing more than one rider
 - Allowing children or pets to ride in the trailer section
 - Pushing the user
 - Traveling at an unsafe speed
- This product is intended for residential use only.

BATTERY WARNINGS

The following safety hazards may result in serious injury or death:

- Use of a battery or charger other than the supplied rechargeable battery and charger may cause a fire or explosion. Only use the supplied battery and charger. Never use the supplied rechargeable battery and charger with another product.
- Damage to the battery may occur if it is allowed to drain completely. **Do not allow the battery to drain completely.**
- Explosive gases are created during charging. Charge the battery in a well-ventilated area. Do not charge the battery near heat or flammable materials.
- Contact between the positive and negative terminals may result in fire or explosion. Avoid direct contact between the terminals. Picking up the battery by the wires or charger can cause damage to the battery and may result in a fire. Always pick up the battery by its case or handles.
- Liquids on the battery may cause fire or electric shock. Always keep all liquids away from the battery and keep the battery dry. Contact or exposure to battery leakage (lead acid) may cause serious injury. If contact or exposure occurs immediately call your physician. If the chemical is on the skin or in the eyes, flush with cool water for 15 minutes. If the chemical was swallowed, immediately give the person water or milk. Do not give water or milk if the patient is vomiting or has a decreased level of alertness. Do not induce vomiting.
- Battery posts, terminals, and related accessories contain lead and lead compounds (acid) – chemicals known to the State of California to cause cancer, reproductive harm, and are toxic and corrosive. Never open the battery.
- Tampering or modifying the electric circuit system may cause a shock, fire or explosion and permanently damage the system. Exposed wiring and circuitry in the charger may cause electric shock. Always keep the charger housing closed.

WARNING

To reduce the risk of injury, adult supervision is required. Never use on roadways, near motor vehicles, on or near steep inclines or steps, swimming pools or other bodies of water; always wear shoes, and never allow more than one rider.

- Never leave a child unattended.
- Do not allow children or pets to ride in the trailer section.
- Always sit in the seat when using this vehicle.
- Keep your hands, hair, and clothes away from moving parts.
- Children under 3 years of age cannot use the vehicle.
- Only drive on level ground.
- Do not drive the vehicle into loose dirt, mud, sand, fine gravel, or on wet surfaces.

SPECIFICATIONS

Dimensions	40.5" x 24.7" x 17.6"
Weight	29.8 lbs.
Weight Capacity	66 lbs.
Age Range	3 - 6 years old
Speed	Low: 0.9 mph., High: 2.0 mph.
Charging Time	8 - 12 hours
Headlights	LED
Direction Control	Forward/Reverse
Suspension Type	Four Wheel
Speed Control	High, Low Speed
Initial Charge Time	12 hours
Run Time	1 - 2 hours
Battery Type	12V4.5AH
Electric Motor	#390 x 2
Charger Specs	Input: 100-240V AC Output: DC 12V500mA
Material	Polypropylene, Steel

⚠️ WARNING

ADULT ASSEMBLY REQUIRED

⚠️ WARNING

CHOKING HAZARD - Small parts.
Not for children under 3 years old.

TOOLS REQUIRED



PHILLIPS
SCREWDRIVER



PLASTIC WRENCH
(2, PROVIDED)

+ AA -
2 AA BATTERIES
(FOR STEERING WHEEL)

+ AAA -
2 AAA BATTERIES
(FOR REMOTE)



66 LBS
CAPACITY



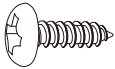
2 PERSON
ASSEMBLY



UP TO 45 MIN.
ASSEMBLY

HARDWARE

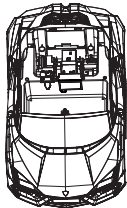
1 SELF TAPPING
SCREW



4 PCS

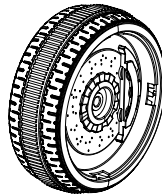
PARTS

A RIDE ON BODY



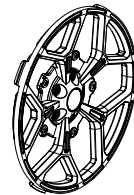
1 PC

B WHEEL



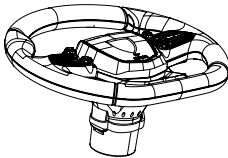
4 PCS

C WHEEL COVER



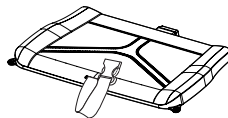
4 PCS

D STEERING WHEEL



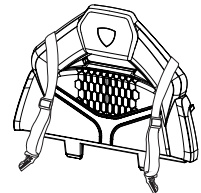
1 PC

E SEAT



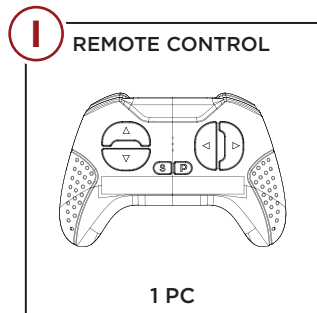
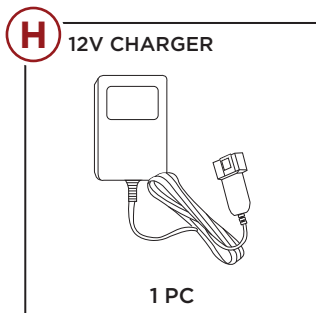
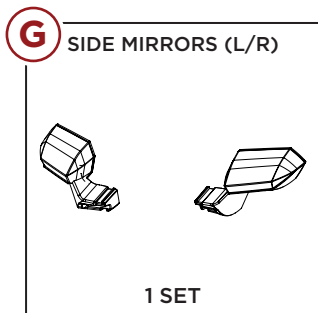
1 PC

F BACKREST



1 PC

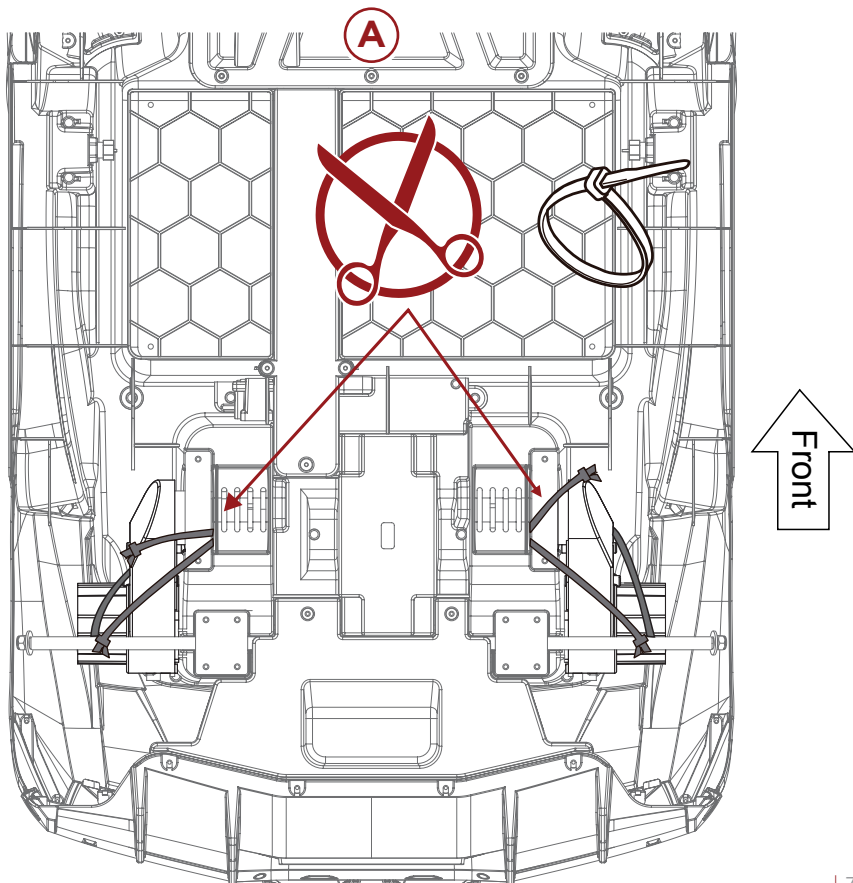
PARTS



PRODUCT ASSEMBLY

1

Place the **part A ride on body** topside down on a flat covered surface to prevent scratches, then cut the zip tie holding down the rear suspension frame.

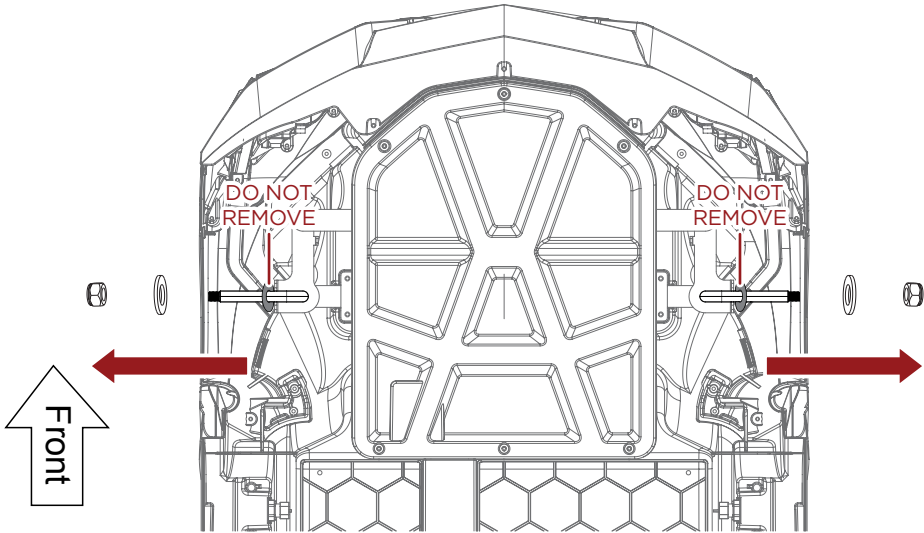


PRODUCT ASSEMBLY

2

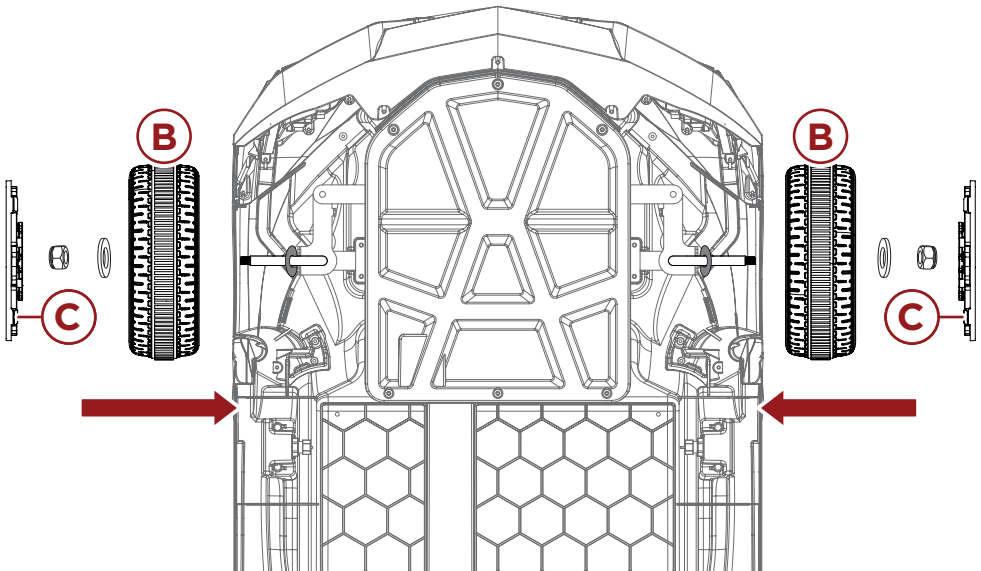
Locate and remove the pre-attached hardware on the front axle, then set the hardware aside.

NOTE: Do not remove the final washer set on the axle.



3

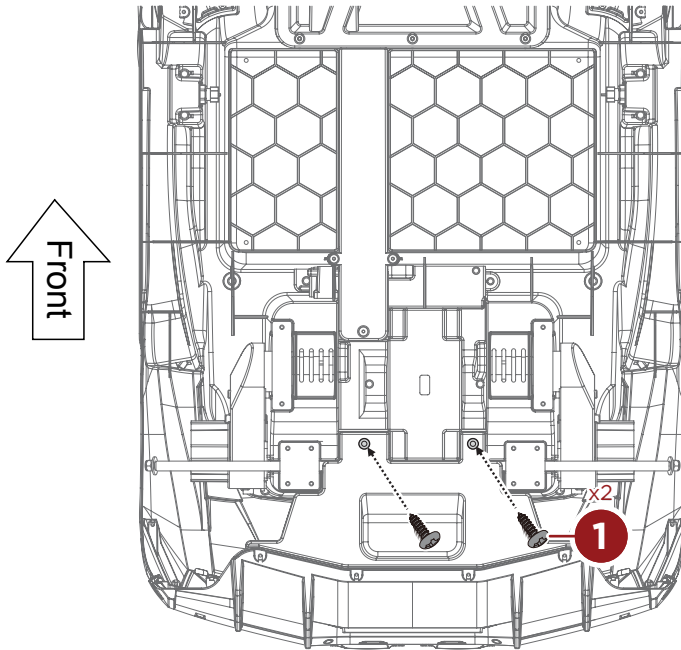
Attach two **part B wheels** to the front axle and use the previously removed nuts and washers to secure. Cover each wheel with one **part C wheel cover**.



PRODUCT ASSEMBLY

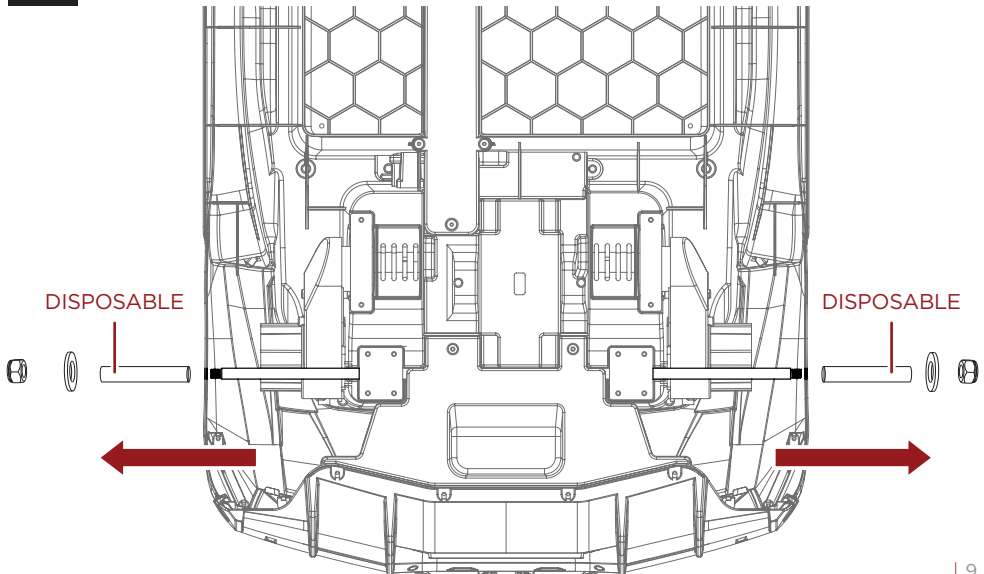
4

Locate and remove the zip ties securing the rear motos, then use two **part 1 screws** to secure the rear bracket.



5

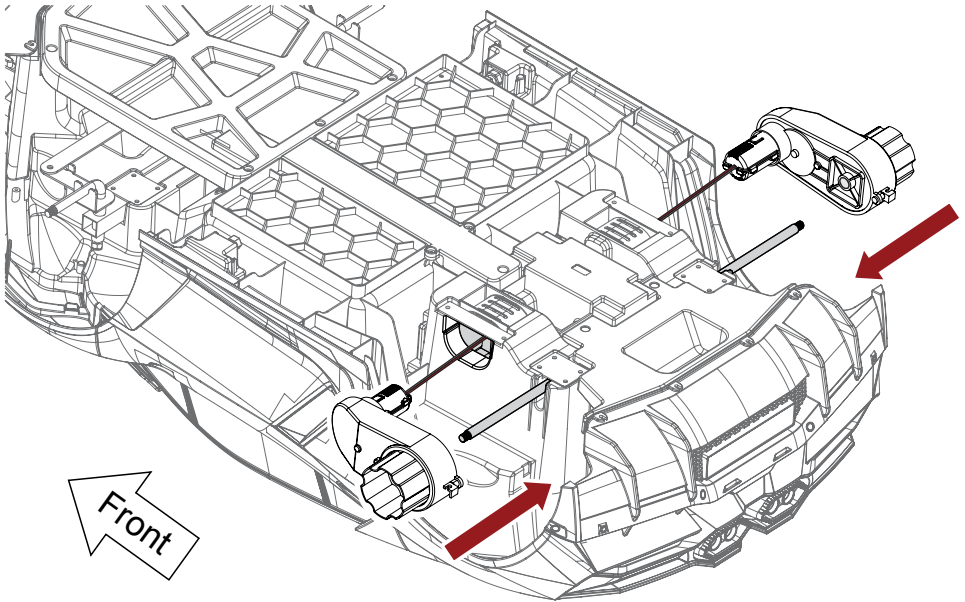
Remove the pre-attached hardware from the rear axle, then set the hardware aside.



PRODUCT ASSEMBLY

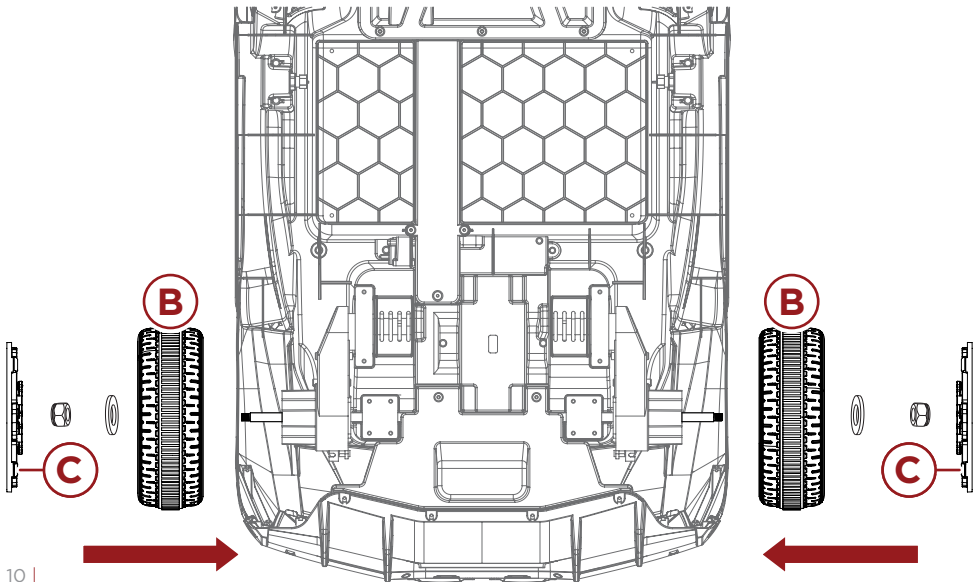
6

Carefully mount the right and left motors onto the rear axle, taking care not to dislodge the terminal wires and mounting the body of the motors into the recesses on the **part A ride on body**.



7

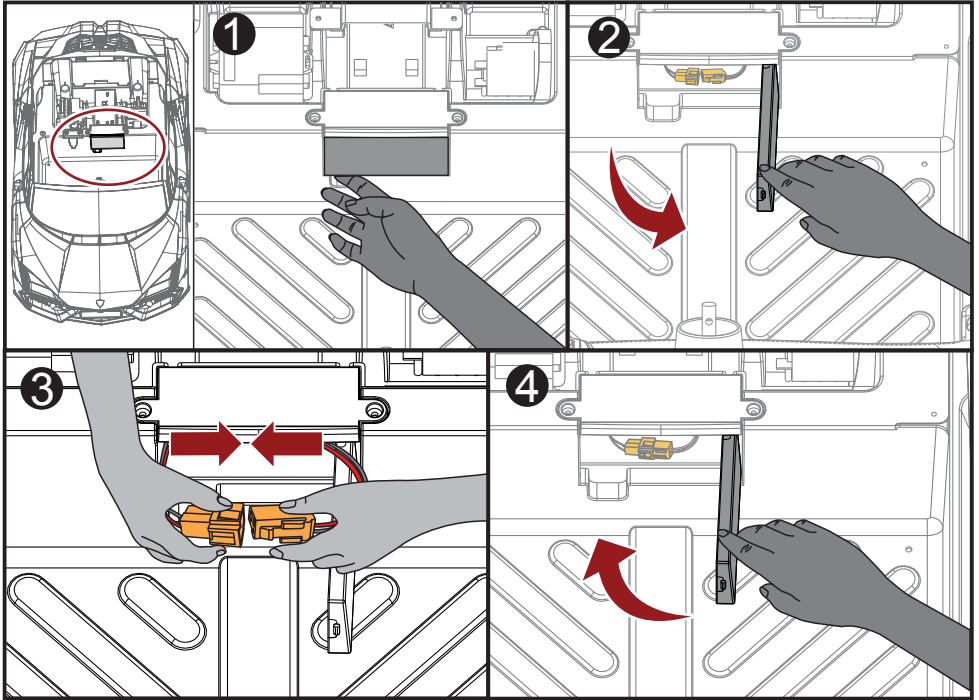
Attach two **part B wheels** to the rear axle and use the previously removed nuts and washers to secure. Cover each wheel with one **part C wheel cover**.



PRODUCT ASSEMBLY

8

With a second person, carefully flip the ride on assembly upright. Locate the power terminal under the seat and connect the power terminals as shown.

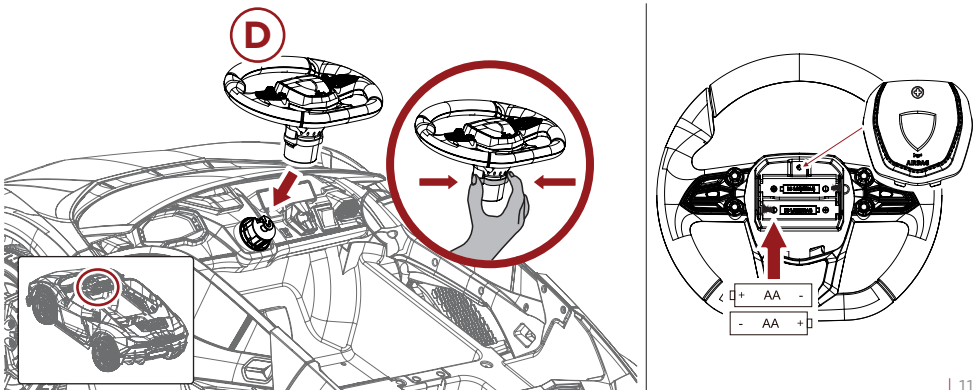


9

Place the **part D steering wheel** over the steering yoke, press until secured.

NOTE: To remove the steering wheel, squeeze the two pressure latches on the yoke and lift.

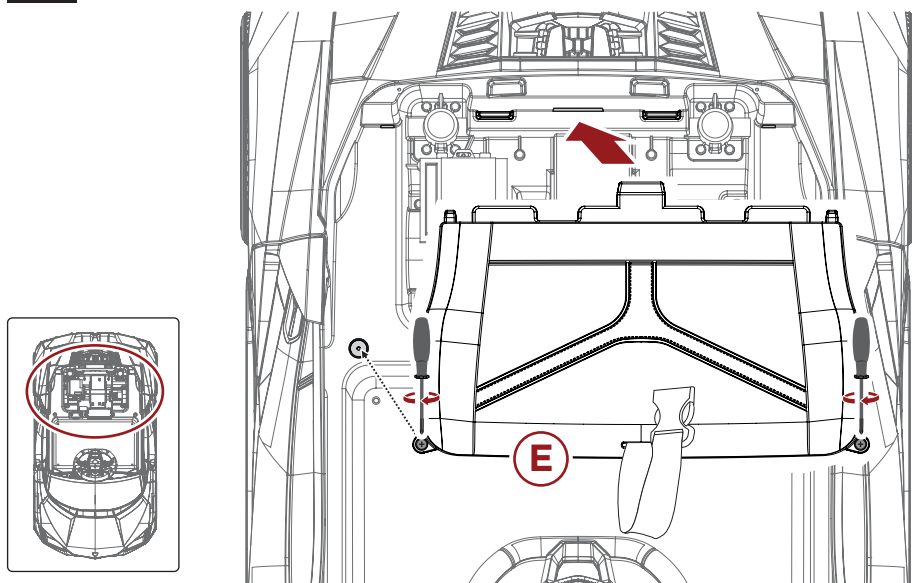
Locate the panel on the center of the **part D steering wheel** then use a Philips screwdriver to open the battery access. Install two AA batteries. Replace the battery cover and secure the screw.



PRODUCT ASSEMBLY

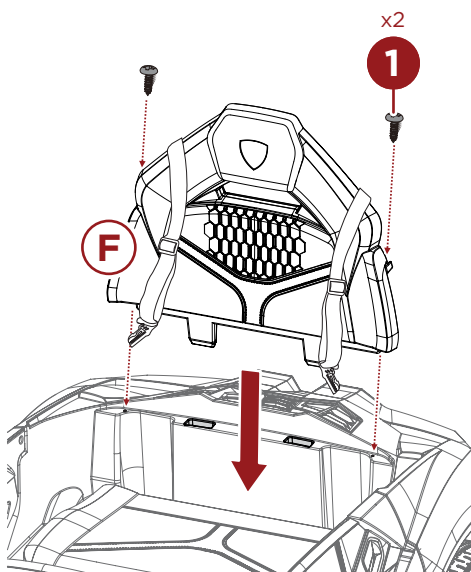
10

Attach the **part E seat** to the **part A ride on body**, press until you hear an audible click, then secure the two pre-attached screws on the seat.



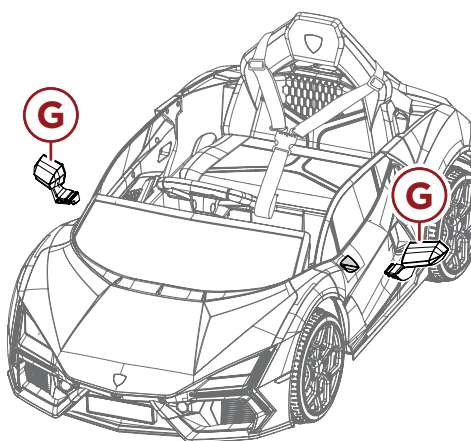
11

Attach to the **part F backrest** to the **part E seat**, then secure with two **part 1** screws.

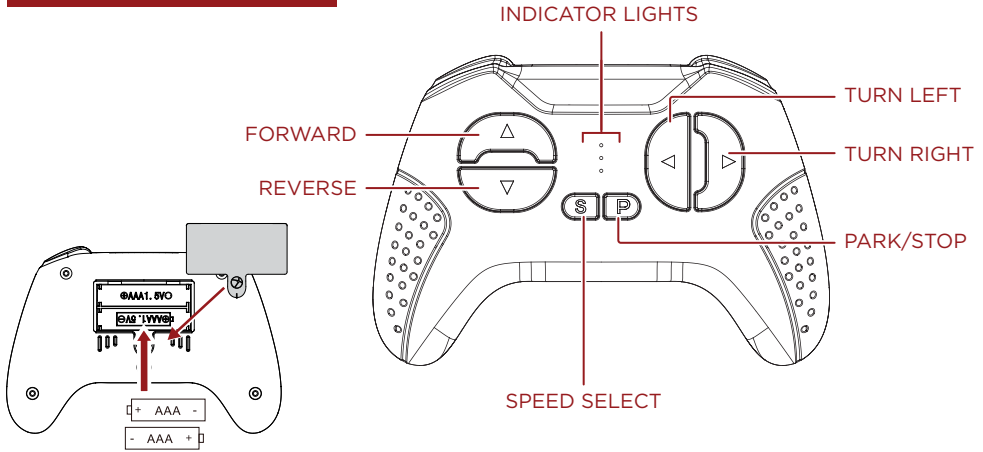


12

Attach the **part G side mirrors** to the **part A ride on body**.



REMOTE CONTROL

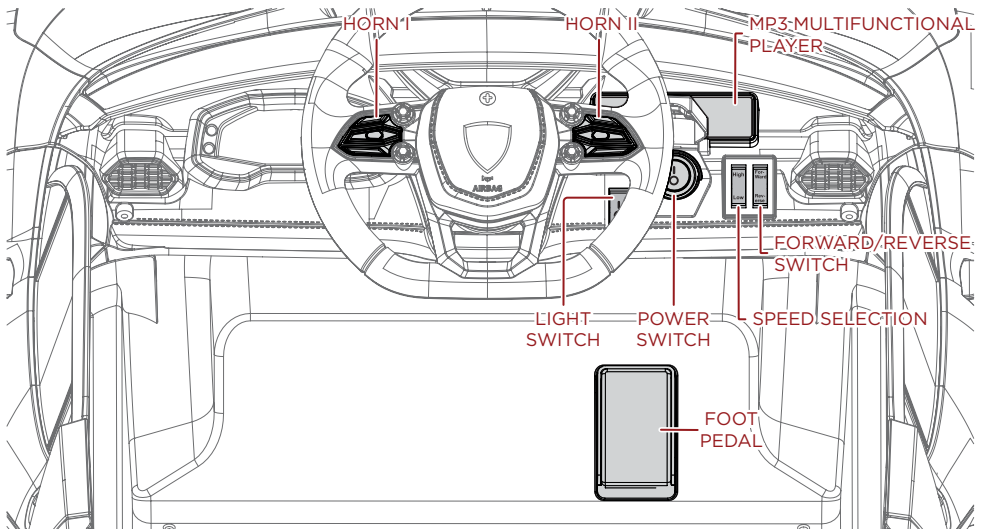


- Remote control operation will **OVERRIDE** manual operation; the pedal will not work when operating the remote control.
- After a period of non-operation, the remote will go into power-saving mode.

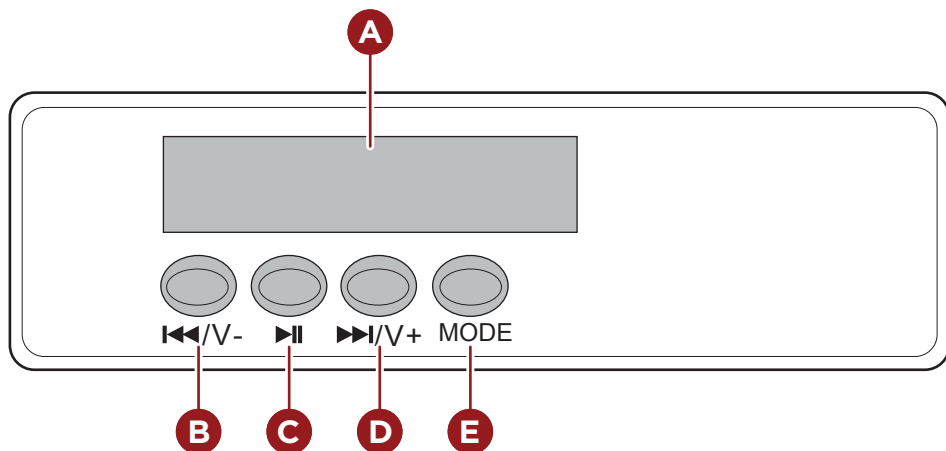
Linking the remote control:

1. Turn the vehicle off.
2. Remove the battery cover from the back of the part I remote, then install two AAA batteries, the three LED indicators will flash.
3. Turn on the vehicle, if the flashing indicators become solid, then the link is successful.
4. If the indicator lights continue to flash (indicating an unsuccessful link), remove and reinsert batteries and repeat steps 1 to 3.
5. The remote will enter sleep mode if left idle for an extended period. Press any button to exit sleep mode and resume play.

DASHBOARD DIAGRAM



MP3 PLAYER DIAGRAM

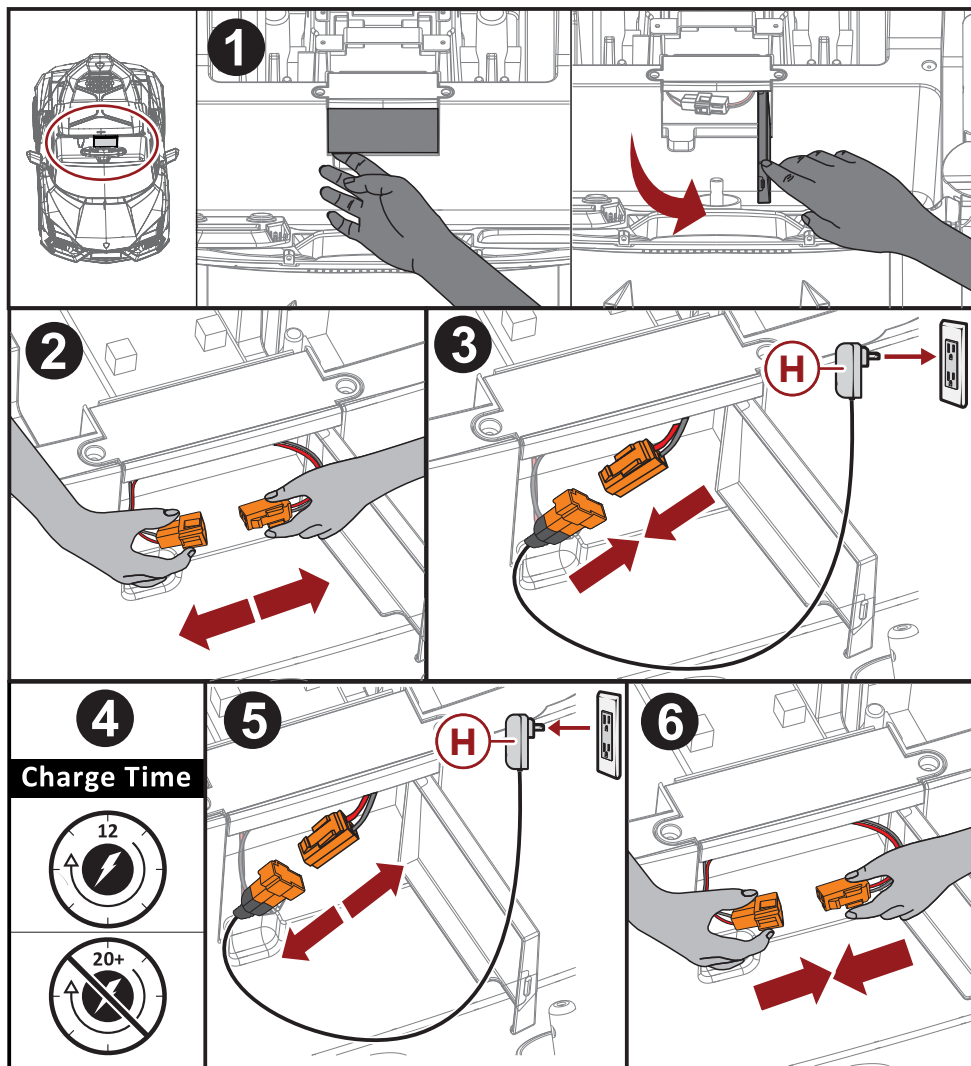


- A. Voltage Display Screen:** The value on the display determines whether the battery needs to be charged.
- B. Previous Channel/Volume Down:** Short press to play the previous channel, long press to lower the volume.
- C. Play/Pause:** Short press this button to pause or play music. **NOTE:** in FM mode, long press this button to search radio stations.
- D. Next Channel/Volume Up:** Short press to play the next channel, long press to increase the volume.
- E. Mode:** Press to switch between different audio play modes.
- F. FM Function:** Press the **MODE** key to enter the FM mode, long press to search the channel (allow up to one minute to search all channels)
 - a. After finding the correct channel, the radio will automatically lock the channel, while the memory function will keep the channel even after powering down
 - b. Repeat the above steps if you want to select/search a new channel. Short press the **Play/Pause** button to pause, press the **Next Channel/Volume Up** button to select the next channel, press the **Previous Channel/Volume Down** button to play previous channel.

BLUETOOTH

1. Place your desired audio device near the media player and power the car on.
2. Press **Mode** on the media player and wait until you hear **"Bluetooth device is ready to pair."**
3. On your desired audio device, locate the Bluetooth setting and select the device named **"Best Choice Products Ride On."**
4. When the device says **"Your Bluetooth device is connected successfully,"** select the desired song.

CHARGING INSTRUCTIONS



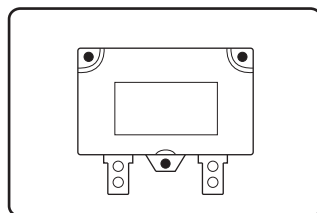
1. Locate the charging connector under the seat.
2. Disconnect the power supply from the control terminal.
3. Connect the **part H charger** to the power supply, then plug the other end into a wall outlet.
4. Charge the battery 12 hours before initial use (Do not charge for a period exceeding 20 hours).
5. When fully charged, unplug **part H charger** from the wall outlet, then remove the charger from the charging port.
6. Reconnect the power supply to the control terminal, then close the cover.

CHARGING NOTICE

- On average, you will need to charge the battery between 8 and 12 hours. Do not charge the battery for more than 20 hours. Failure to charge the battery as directed could cause permanent damage to the battery and void the warranty.
- Damage to the battery may occur if it is allowed to drain completely. **Do not allow the battery to drain completely.**
- Check the battery and charger (supply cord, connector) for wear and damage before charging. Do not charge the battery if damage has occurred.
- Only an adult who has read and understood the safety warnings should handle, charge and recharge the battery.

RESETTING FUSE

This product contains an automatic, resetting fuse. If the current exceeds a certain rating, the recoverable fuse will automatically shut down to prevent damage. This shutdown period will last between 5 and 60 seconds before power is restored. Please allow at least this much time before seeking technical support.



WARNING

RISK OF FIRE: Do not bypass fuse. This may overload and damage the electrical system. Replace only with original size and type.

WARNINGS REGARDING BATTERIES

- Do not mix alkaline, standard (carbon zinc) and rechargeable (nickel hydride) batteries.
- Do not mix old and new batteries.
- Non-rechargeable batteries should not be charged.
- Rechargeable batteries should be charged under adult supervision only.
- Exhausted batteries should be removed.
- The supply terminals should not be short-circuited.
- Do not put batteries next to or in a heat source (fire, electronic heating device, etc.).
- Do not hit batteries against hard objects.
- Do not submerge batteries in water.
- Batteries should be inserted with the correct polarity.

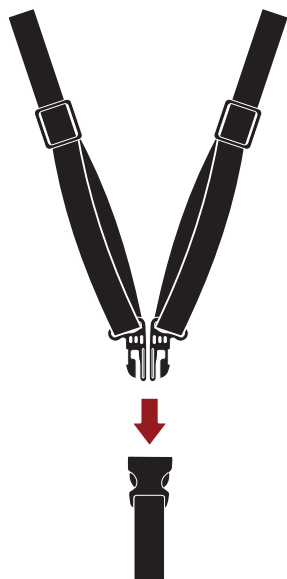
CARING FOR YOUR RIDE-ON

- Park the vehicle indoors or cover it with a tarp to protect it from wet weather.
- Do not leave the vehicle in the sun for long periods of time or fading may occur. Store in shade or cover with tarp.
- Do not wash the vehicle with a hose.
- Do not wash the vehicle with soap.
- Charge battery at least once a month to prolong the life of the battery.

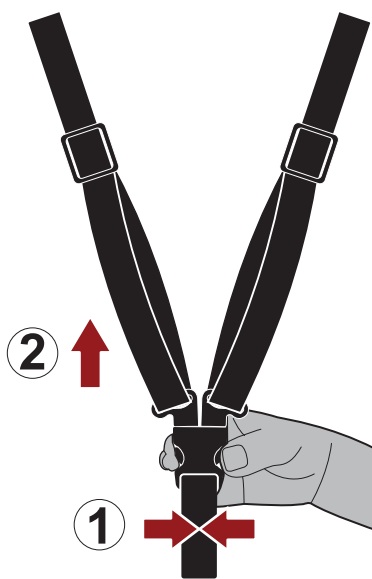
FASTENING THE SEAT BELT

NOTE: Ensure that seat belts fit comfortably and snugly over the child's shoulder and across their chest.

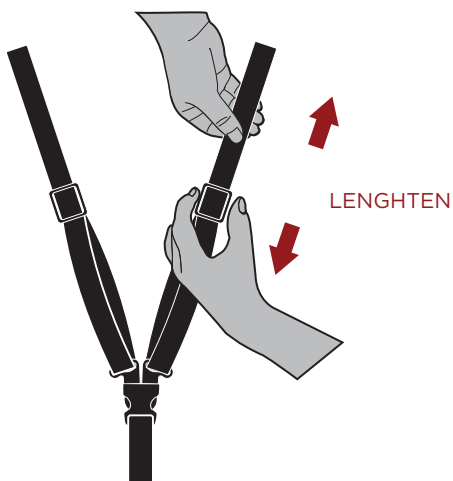
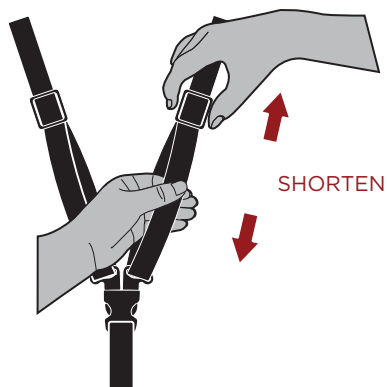
Fasten seat belt:



Unfasten seat belt:




Adjust seat belt:



TROUBLESHOOTING

PROBLEM	REASON	SOLUTION
Vehicle does not move	Low battery	Fully charge the battery
	Electrical protection	Stop use for several minutes and restart
	Switch not in the correct position	Completely press in switches
	Battery connectors disconnected	Plug in battery connectors
Battery does not recharge	Battery connectors disconnected	Plug in battery connectors
	Charger not connected to socket or outlet	Completely plug in the charger
Battery does not last	Battery does not have a full charge	Fully charge the battery
Battery is warm and makes a slight noise while charging	Normal	Normal
Slow speed	Low battery	Fully charge the battery
	Overloaded vehicle	Reduce the weight on the vehicle
	Uneven or sloped road	Drive on flat pavement
Vehicles shakes while driving	Loose connection to motor	Ensure the motor is properly connected to the battery
Difficulty shifting between forward/reverse	Attempting to shift while vehicle in motion	Only shift when the vehicle is at a stop
Vehicle is silent	Steering wheel is not properly connected	Properly connect the steering wheel connector

CALIFORNIA PROPOSITION 65

 **WARNING:** Battery posts, terminals, and related accessories can expose you to chemicals including lead and lead compounds, which are known to the State of California to cause cancer and birth defects or other reproductive harm, and are toxic and corrosive. Wash hands after handling. For more information go to www.P65Warnings.ca.gov

FCC COMPLIANCE STATEMENT

This device complies with part 15 of the FCC rules. Operation is subject to the following two conditions: (1) This product may not cause harmful interference, and (2) this device must accept any interference received, including interference that may cause undesired operation.

NOTE: This equipment has been tested and found to comply with the limits for a Class B digital device, pursuant to part 15 of the FCC Rules. These limits are designed to provide reasonable protection against harmful interference in a residential installation.

This equipment generates, uses, and can radiate radio frequency energy and, if not installed and used in accordance with the instructions, may cause harmful interference to radio communications. However, there is no guarantee that interference will not occur in a particular installation.

If this equipment does cause harmful interference to radio or television reception, which can be determined by turning the equipment off and on, the user is encouraged to try to correct the interference by one or more of the following measures:

- Reorient or relocate the receiving antenna.
- Increase the separation between the equipment and receiver.
- Connect the equipment to an outlet on a circuit different from that to which the receiver is connected.
- Consult the dealer or an experienced radio/TV technician for help.

WARNING: Any changes or modifications to this unit not expressly approved by the party responsible for compliance could void the user's authority to operate the equipment.

Responsible party (contact for FCC matters only):

Quality Control Dept.
100 Bayview Circle, Suite 100,
Newport Beach, CA 92660



HELP CENTER



Question about your product? We're here to help. Visit us at:

help.bestchoiceproducts.com



Chat Support



Product Inquiry



Orders FAQ



Product Assembly



Returns & Refunds

PRODUCT WARRANTY INFORMATION

All items can be returned for any reason within 60 days of the receipt and will receive a full refund as long as the item is returned in its original product packaging and all accessories from its original shipment are included. All returned items will receive a full refund back to the original payment method. All returned items will not be charged a re-stocking fee.

All returned items require an RA (Return Authorization) number, which can only be provided by a Best Choice Products Customer Service Representative when the return request is submitted. Items received without an RA may not be accepted or may increase your return processing time. Once an item has been received by Best Choice Products, refunds or replacements will be processed within 5 business days.

All returns must be shipped back to the Best Choice Products Return Center at the customer's expense. If the reason for return is a result of an error by Best Choice Products then Best Choice Products will provide a pre-paid shipping label via email. Boxes for return shipping will not be provided by Best Choice Products, and is the customer's responsibility to either use the original shipping boxes or purchase new boxes.

Pictures may be required for some returns to ensure an item is not damaged prior to its return. Items returned are not considered undamaged until they are received by Best Choice Products and verified as such. All damages to items are the customer's responsibility until the item has been received by and acknowledged by Best Choice Products as undamaged.

© Best Choice Products, Inc. All rights reserved. Distributed by Best Choice Products, Inc. Newport Beach, CA 92660

WARNING

Manufacturer and seller expressly disclaim any and all liability for personal injury, property damage or loss, whether direct, indirect, or incidental, resulting from the incorrect attachment, improper use, inadequate maintenance, unapproved modification, or neglect of this product.