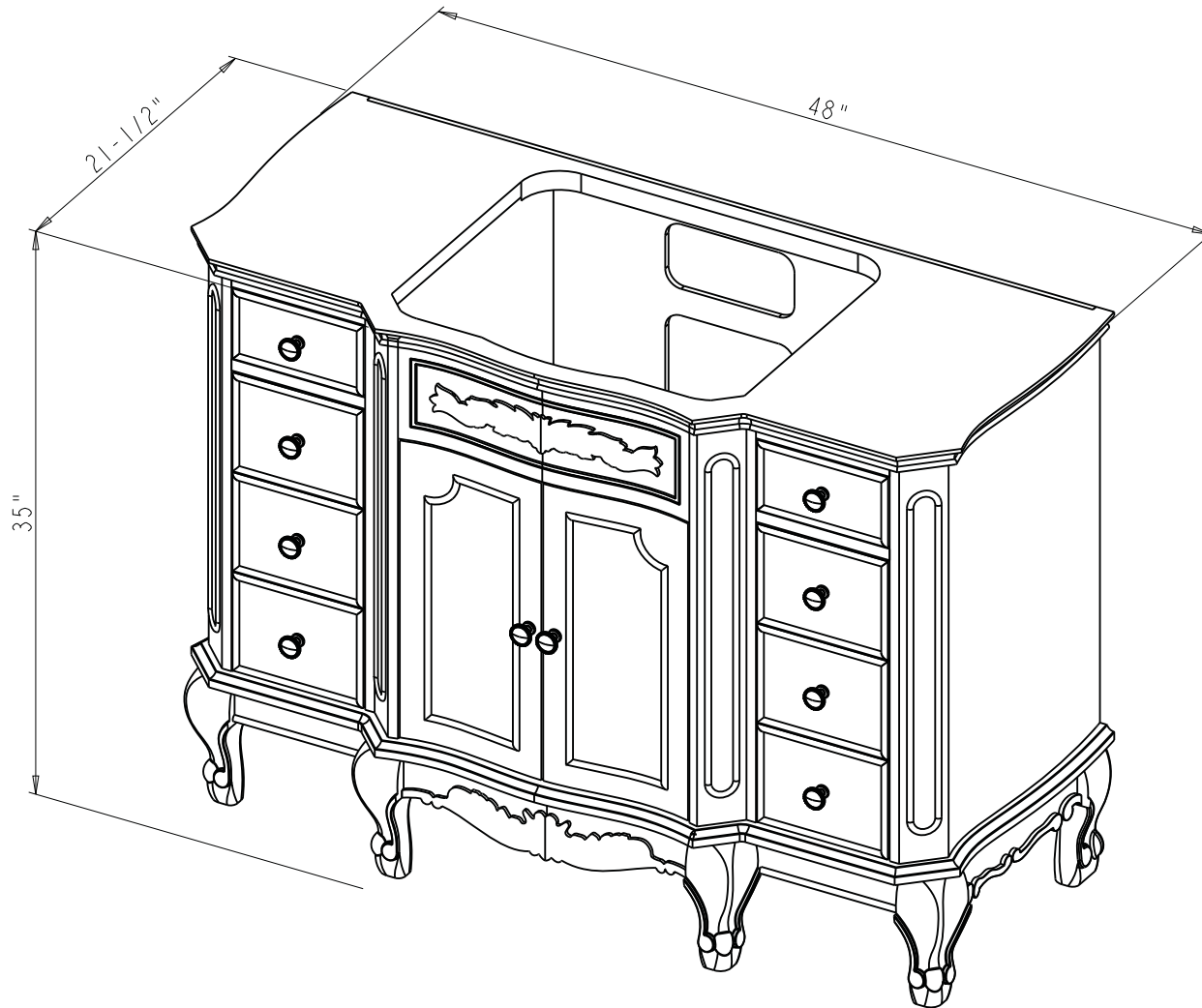



Specification:

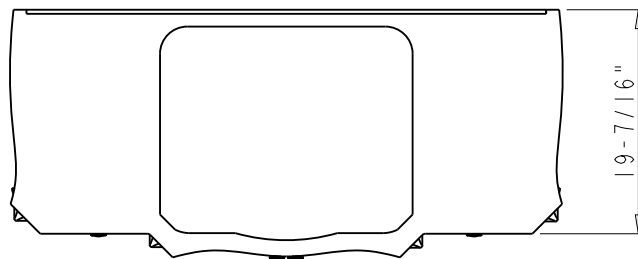
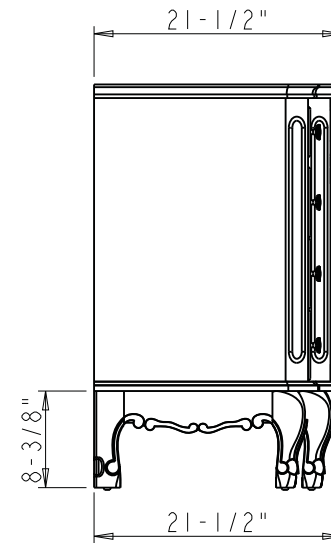
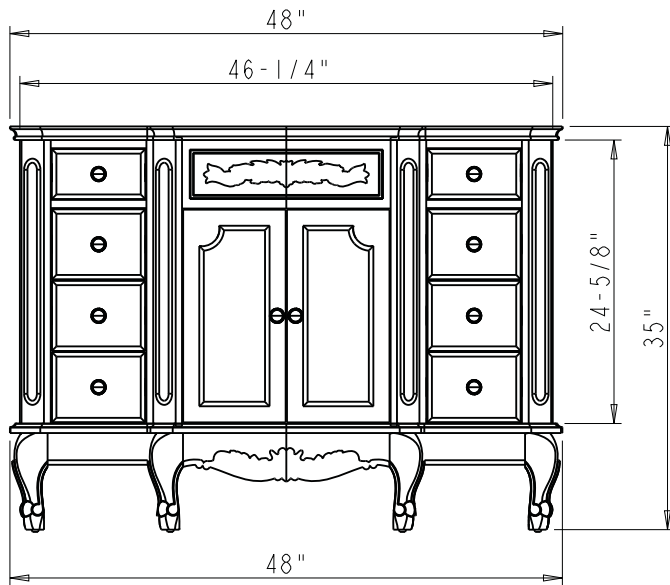
1. Material: MDF
2. Finish: SEE TABLE
3. Hardware: SEE TABLE
4. Hinge: Shutter Hinge ( AB ) ( 4 sets )
5. Slides: 303-300-16 ( 8 sets )
6. Doormagnet ( 2 sets )
7. The tolerance is +/- 1/8"


Item number	Finish	Deco Hardware	
		Item number	Qty
VN2CLA-48-NU-NT	Nutmeg	Z115DBAC	10

<p><b>hardware resources</b></p> <p><small>PROPRIETARY AND CONFIDENTIAL</small></p> <p><small>THE INFORMATION CONTAINED IN THIS DRAWING IS THE SOLE PROPERTY OF HARDWARE RESOURCES INC. ANY REPRODUCTION IN PART OR AS A WHOLE WITHOUT THE WRITTEN PERMISSION OF HARDWARE RESOURCES INC. IS PROHIBITED.</small></p> <p><small>DO NOT SCALE DRAWING</small></p>	ITEM:	VN2CLA-48	MATERIAL:		
	FINISH:		WEIGHT:	9	
	<small>PROJECTION</small>		UNITS:	DATE:	Jun-20-20
	<small>TOLERANCE UNLESS OTHERWISE SPECIFIED:</small> X ±0.20 X.X ±0.10 X.XX ±0.05 ANGULAR: ±0.5°	<small>SIZE:</small> <small>APPROVED BY:</small> <small>RELEASE LEVEL:</small>	<small>DRAWN BY:</small> <b>Hugo.cai</b>	<small>DATE:</small> <small>REVISION:</small>	



 <p><b>PROPRIETARY AND CONFIDENTIAL</b></p> <p>THE INFORMATION CONTAINED IN THIS DRAWING IS THE SOLE PROPERTY OF HARDWARE RESOURCES INC. ANY REPRODUCTION IN PART OR AS A WHOLE WITHOUT THE WRITTEN PERMISSION OF HARDWARE RESOURCES INC. IS PROHIBITED.</p>	ITEM#: VN2CLA - 48		MATERIAL:		
	FINISH:		WEIGHT: 9		
	TOLERANCE UNLESS OTHERWISE SPECIFIED: X ±0.20 X.X ±0.10 X.XX ±0.05 ANGULAR: ±0.5°		UNITS:	DRAWN BY: <i>Hugo.cai</i>	DATE: Jun-20-20
	DO NOT SCALE DRAWING		SIZE:	APPROVED BY:	DATE:
		SHEET:	RELEASE LEVEL:	REVISION:	



	ITEM#: VN2CLA - 48		MATERIAL:		
	FINISH:		WEIGHT:		
<p><b>PROPRIETARY AND CONFIDENTIAL</b></p> <p>THE INFORMATION CONTAINED IN THIS DRAWING IS THE SOLE PROPERTY OF HARDWARE RESOURCES INC. ANY REPRODUCTION IN PART OR AS A WHOLE WITHOUT THE WRITTEN PERMISSION OF HARDWARE RESOURCES INC. IS PROHIBITED.</p>	TOLERANCE UNLESS OTHERWISE SPECIFIED: X ±0.20 X.X ±0.10 X.XX ±0.05 ANGULAR: ±0.5°		UNITS:	DRAWN BY: <i>Hugo.cai</i>	DATE: Jun-20-20
	DO NOT SCALE DRAWING		SIZE:	APPROVED BY:	DATE:
			SHEET:	RELEASE LEVEL:	REVISION:
			PROJECTION 