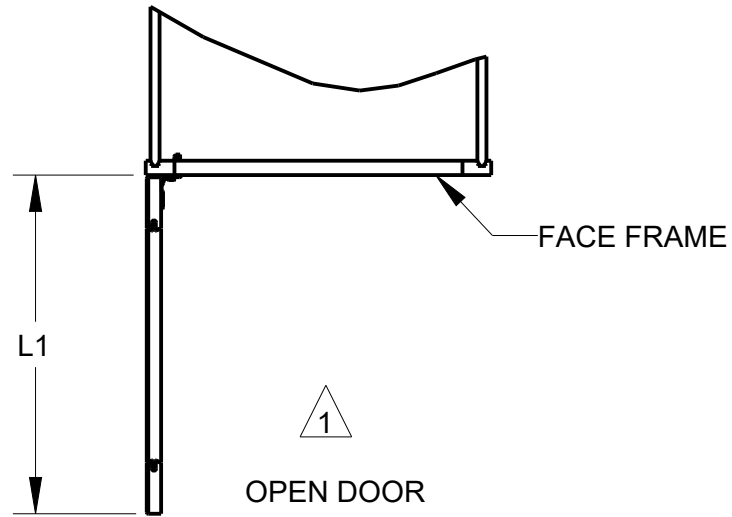
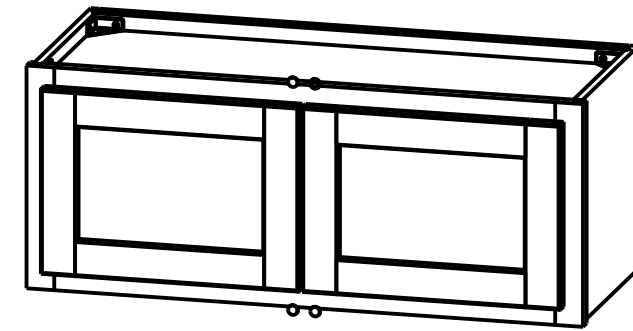
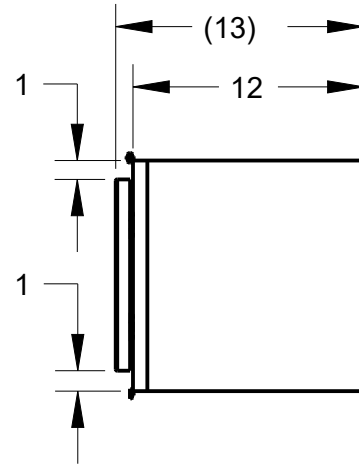
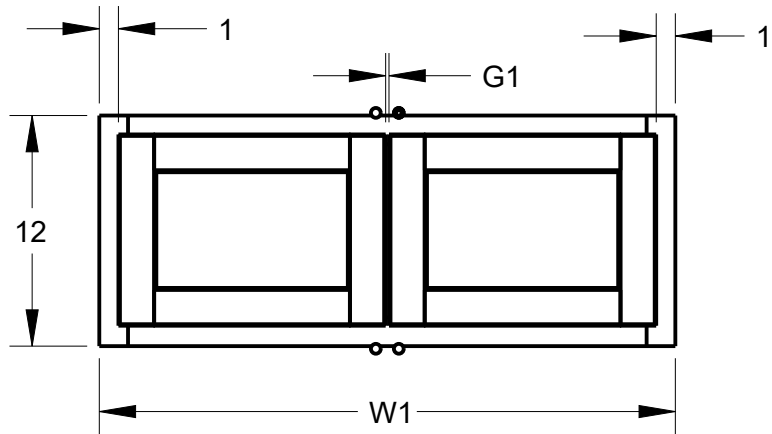


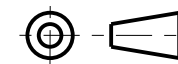
NOTES:

1 OPEN DOOR VIEW INCLUDES HINGE SPACE OFFSET.



PRODUCT	W1	L1	G1	DOOR SIZE
			ROUNDED TO THE NEAREST 1/32	
W3012	30"	14 1/16"	(3/16")	13 29/32" X 9 31/32"
W3312	33"	15 9/16"	(3/16")	15 13/32" X 9 31/32"
W3612	36"	17 1/16"	(3/16")	16 29/32" X 9 31/32"
W3912	39"	17 11/16"	(2")	17 17/32" X 9 31/32"

THIRD ANGLE PROJECTION



MATERIAL

FINISH

N/A

N/A

DRAWN BY
ANDY BROWN

DATE
03MAR2021

DESIGNED BY
NORTHPOINT

DATE

APPROVED BY
E.GOLESTANYAN

DATE
09MAR2021



DESCRIPTION

W3912, W3612, W3312, W3012 HALF OVERLAY

DRAWING NUMBER

W3912-W3612-W3312-W3012_HALF

REV

A

SIZE
A3

SCALE
0.100

SHEET
1 / 1

PRODUCT SHOWN W3012

DOCUMENT STATUS Released

HARDWARE RESOURCES RESERVES THE RIGHT TO CHANGE SPECIFICATIONS WITHOUT NOTICE.
IN CASE OF A DISCREPANCY, ACTUAL PART GEOMETRY SUPERSEDES THIS DOCUMENT.

THE INFORMATION CONTAINED WITHIN THIS DRAWING IS THE SOLE PROPERTY OF HARDWARE RESOURCES INC. ANY REPRODUCTION IN PART OR WHOLE WITHOUT WRITTEN PERMISSION OF HARDWARE RESOURCES INC. IS PROHIBITED.