

# KALLISTA®

KALLISTA  
Modern Toilet Seat with Slow Close, Quick Hinge  
Release  
P70363-00

## Features

- High-quality solid resin construction
- Includes slow-close hinges
- Ergonomically contoured for maximum comfort
- Elongated shape

## Recommended Products/Accessories

P34708-00 Toilet Paper Holder  
P30595-00 Toilet Paper Holder  
P34702-00 Towel Bar, 12"  
P30575-00 Towel Bar, 12"



## Codes/Standards

None Applicable

## KALLISTA® Five-Year Limited Warranty

See website for detailed warranty  
information.

## Available Colors/Finishes

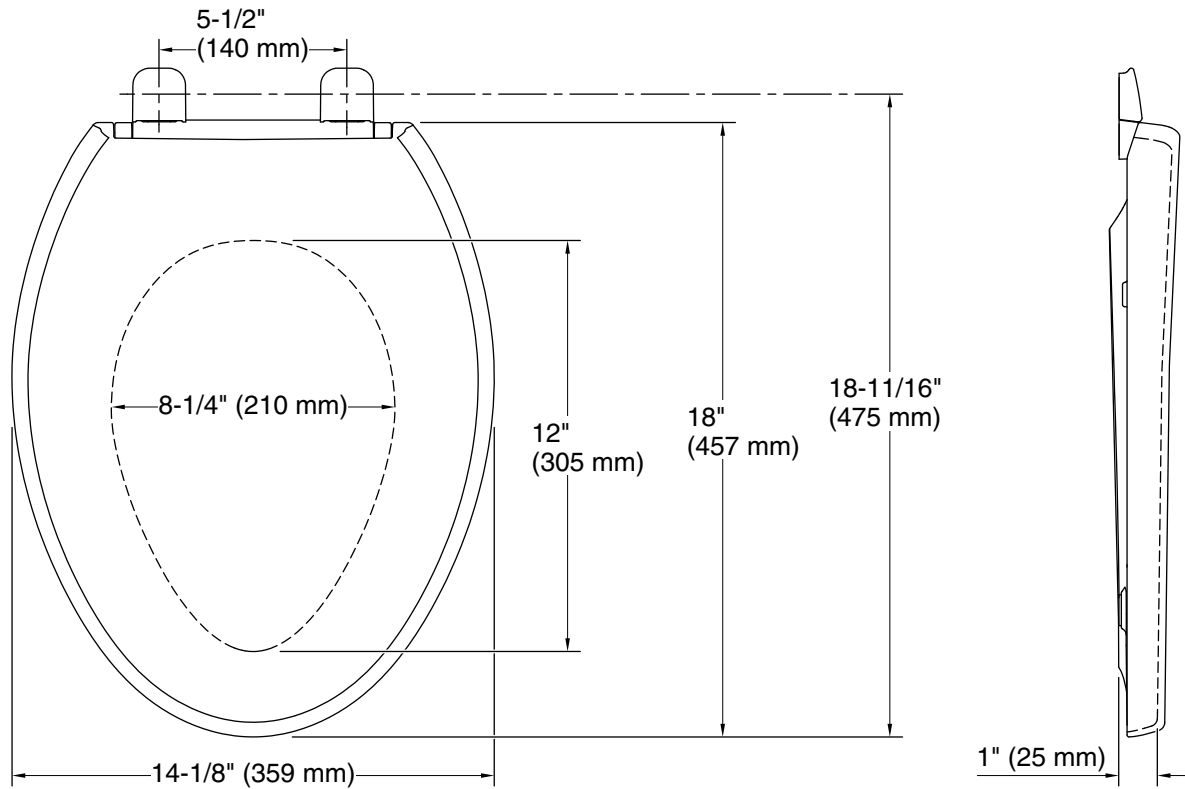
*Color tiles intended for reference only.*

Color	Code	Description
-------	------	-------------

	0	Stucco White
---	---	--------------

# KALLISTA

KALLISTA  
Modern Toilet Seat with Slow Close, Quick Hinge  
Release  
P70363-00



## Technical Information

All product dimensions are nominal.

Seat shape type: Elongated

Seat front type: Closed

## Pressure/fixture Supply Requirements

## Notes

Install this product according to the installation instructions.