






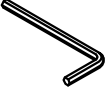


ASSEMBLY INSTRUCTION

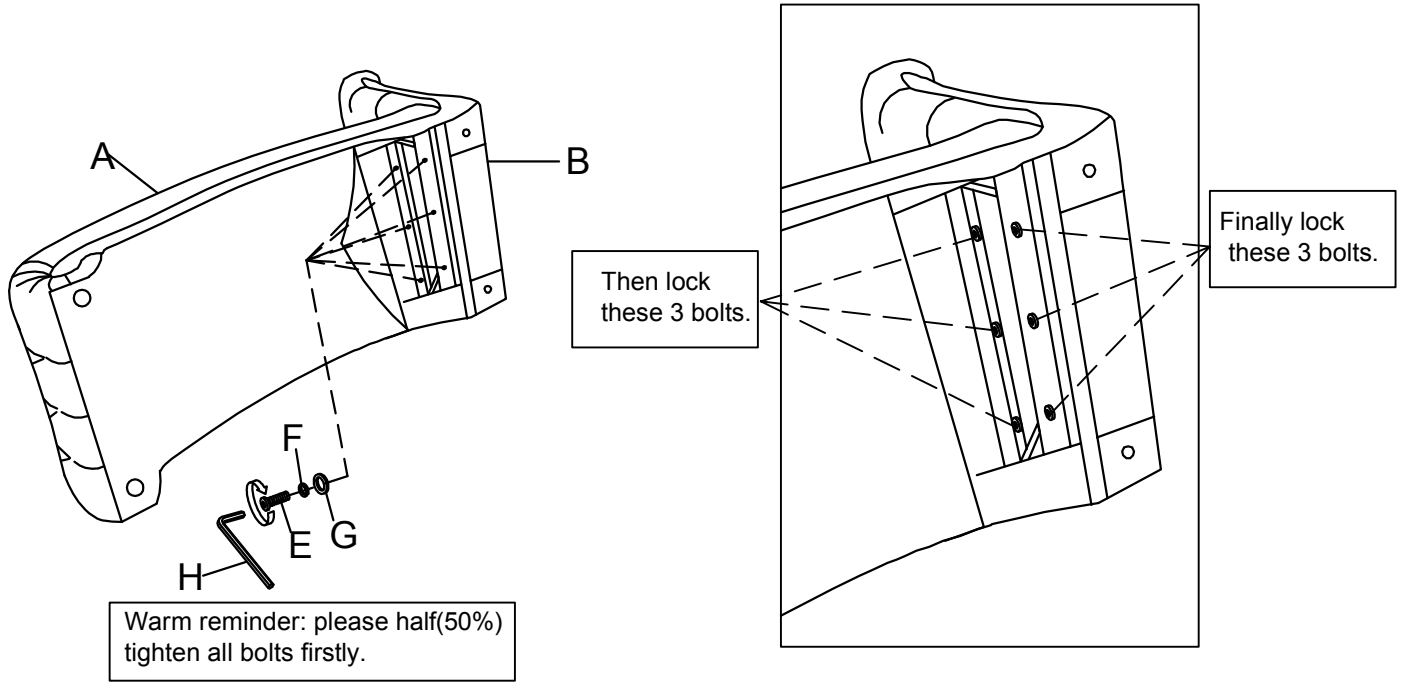
E208LG(NEW) TUFTED LOUNGER CHAIR WITH PILLOW

A Seat	B Back	C Pillow	D Leg
			
1pc	1pc	1pc	4pcs
E Bolt M8x70mm	F Lock Washer M8x2mm	G Flat Washer M8x19x1.0mm	H Allen Key M5
			
6pcs	6pcs	6pcs	1pc

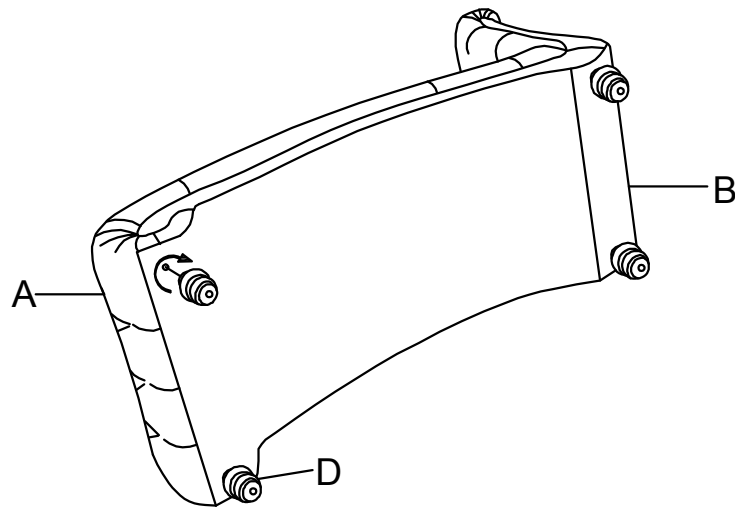


This page lists all the contents Included In the box. Please take the time to identify the hardware as well as the individual components to this product. As you unpack and prepare for assembly, place the contents on a carpeted or padded area to protect them from damage.

1 Attach Seat (A) to the Back (B) using Bolt (E), Lock Washer (F), Flat Washer (G) by Allen Key (H), then cover the bottom fabric with velcro.



2 Attach Legs (D) to Seat (A) and Back (B), then rotate tightly.



Cleaning & Care

Treat surface with care. Surface is resistant to scratches but is not scratch resistant. Clean surfaces with a dry or damp soft cloth. Do not use abrasive cleaners. Hardware may loosen over time. Periodically check that all connections are tight.