







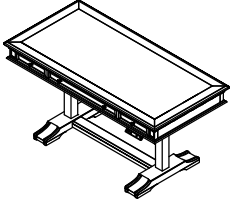
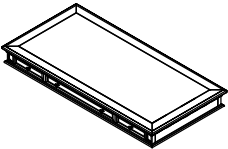

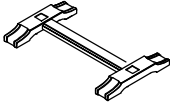


# HEKMAN®

A HOWARD MILLER COMPANY

## 28493 WELLINGTON HALL LIFT DESK WJ 28494 WELLINGTON HALL LIFT DESK WD

HARDWARE LIST							
A	B	C	D	E	F	G	H
ALLEN BOLT M6 X 40 (12 PCS.)	ALLEN BOLT M6 X 60 (1 PCS.)	SPRING W. M6 20 PCS.	FLAT W. M6 20 PCS.	BACKED CABLE TIE 2 PCS.	SMALL CABLE TIE 1 PC.	SCREW Ø6 X 1/2" 1 PC.	ALLEN KEY L4 (FOR ALLEN BOLT) 1 PC.
							

PART INSIDE			
1	2	3	
TOP ASSEMBLY (1 Pc)	METAL LEGS (2 Pcs)	WOOD LEG ASSEMBLY (1 Pc)	
			

### Assembly Instruction

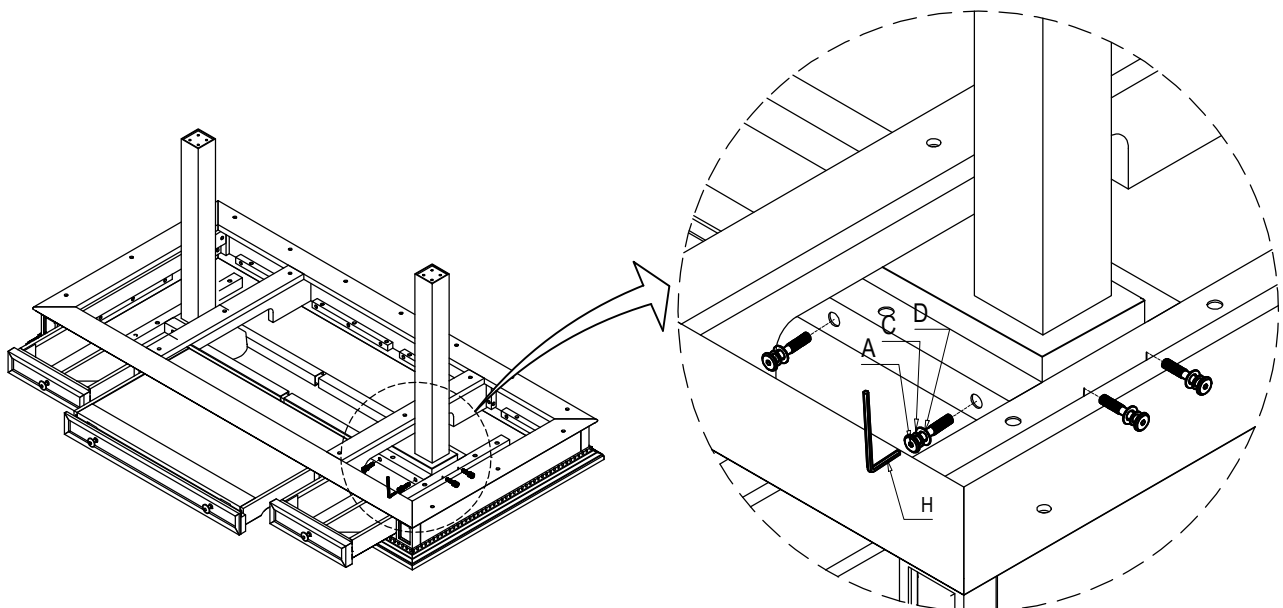
#### STEP 1.

LAY THE TOP ASSEMBLY UPSIDE DOWN ON A SOFT CLEAN SURFACE.

REMOVE THE THREE DRAWERS. SEE THE HEKMAN DESK DRAWER REMOVAL AND INSTALLATION VIDEOS AVAILABLE ON LINE THROUGH THE HEKMAN WEB SITE.

PLACE THE TWO METAL LEGS IN THE BRACKETS ON THE BOTTOM OF THE TOP ASSEMBLY, ALIGN THE BOLT HOLES AND CONNECT USING FLAT WASHER (D), SPRING WASHER (C), AND ALLEN BOLT (A) WITH ALLEN KEY (H) PROVIDED.

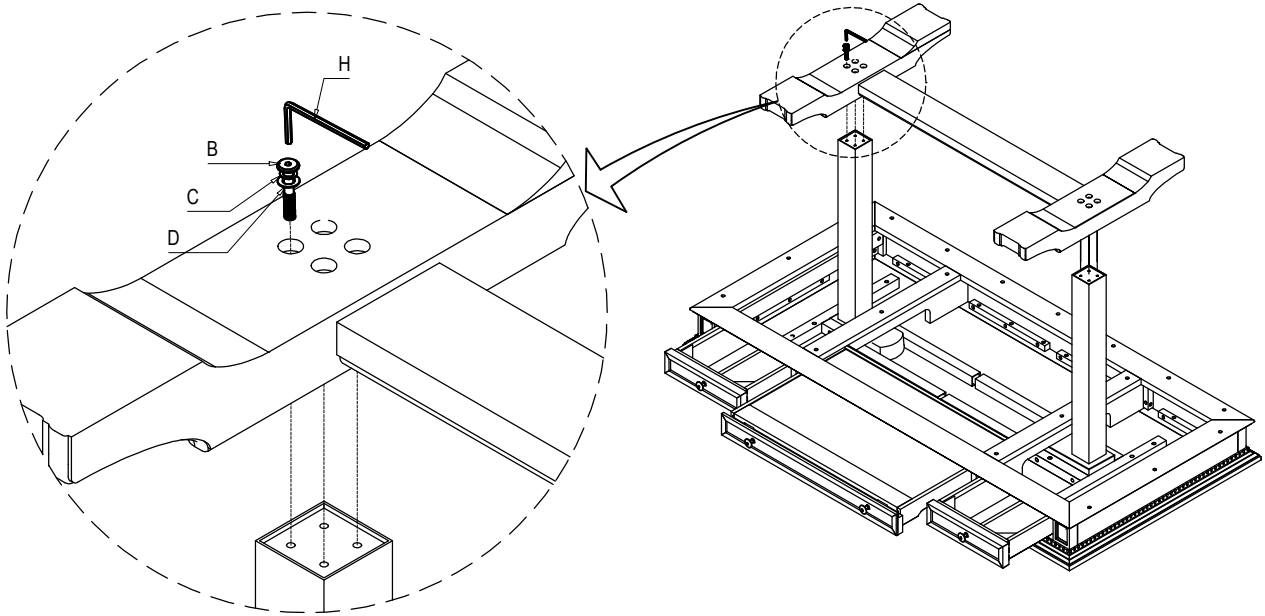
GET ALL THE BOLTS STARTED BUT DO NOT TIGHTEN THE BOLTS AT THIS TIME.



## STEP 2

SET THE BASE ASSEMBLY ON THE LEGS WITH HOLES IN THE BASE ASSEMBLY ALIGNED WITH THE HOLES IN THE BOTTOM OF THE LEGS. CONNECT THE BASE ASSEMBLY TO THE LEGS USING FLAT WASHER (D), SPRING WASHER (C), ALLEN BOLT (B) WITH ALLEN KEY (H) PROVIDED.

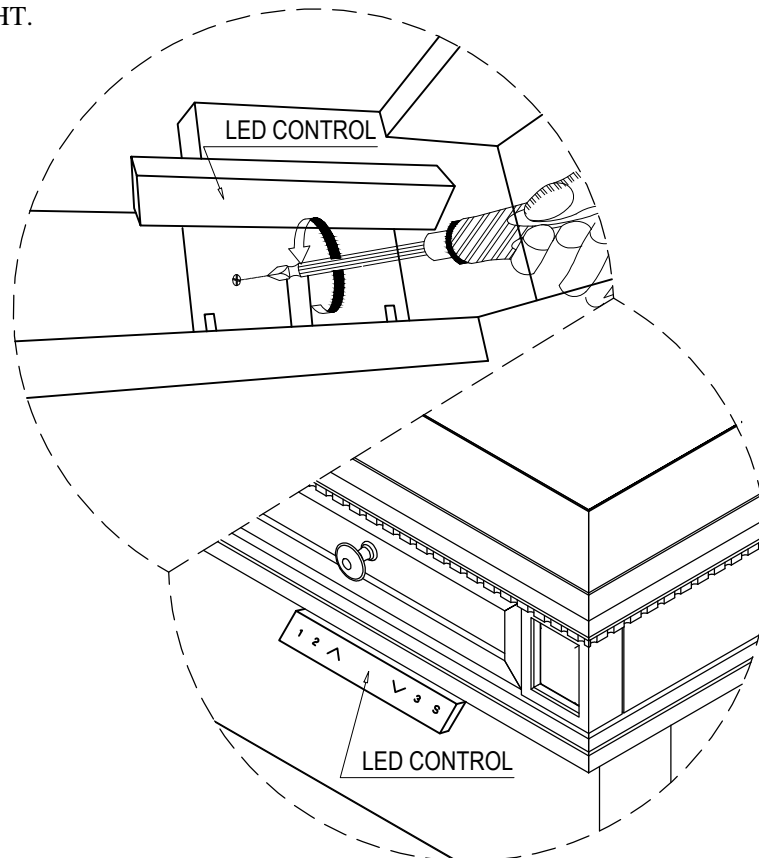
FULLY TIGHTEN ALL THE BOLTS CONNECTING THE BASE ASSEMBLY TO THE LEGS, THEN FULLY TIGHTEN ALL THE BOLTS CONNECTING THE TOP OF THE LEGS TO THE METAL BRACKETS AT THE TOP OF THE LEGS.



## STEP 3

REMOVE THE SCREW HOLDING THE LED HAND SET AND ATTACH IT TO THE BOTTOM OF THE FRONT RAIL BELOW THE RIGHT OR LEFT DRAWER WITH THREE SCREWS.

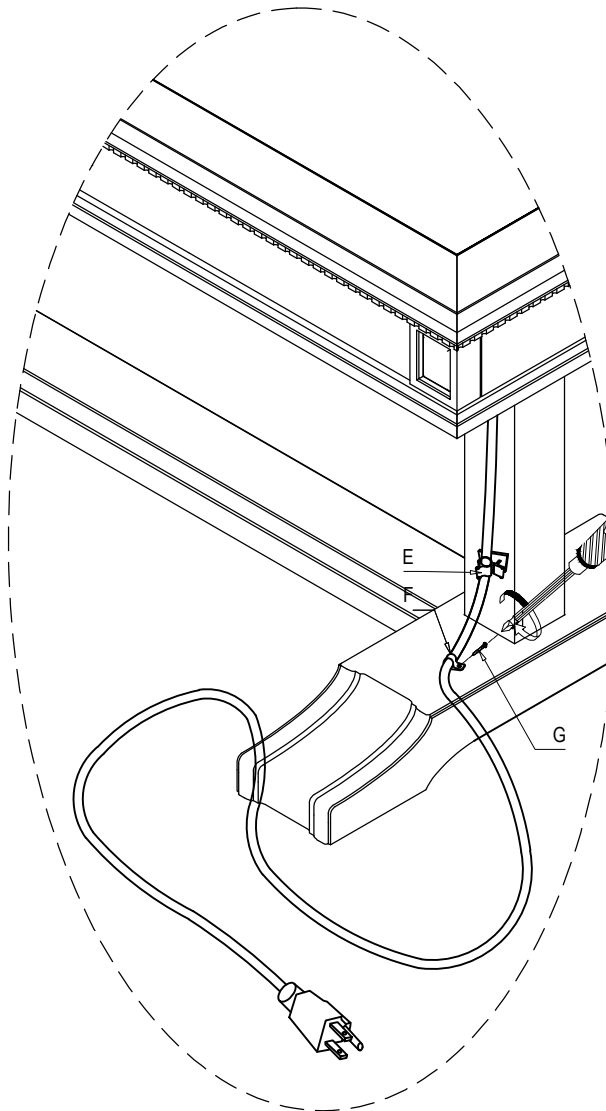
TURN THE DESK UPRIGHT.



#### STEP 4

PLACE THE TWO ADHESIVE BACKED CABLE TIES (E) ON THE LEG ON THE SAME SIDE OF THE DESK AS THE LED HAND SET. ONE NEAR THE TOP OF THE LEG AND ONE NEAR THE BOTTOM OF THE LEG AS SHOWN IN THE DIAGRAM.

PLACE THE POWER CORD IN THE TWO ADHESIVE BACKED CABLE TIES (E) WITH ENOUGH CABLE ABOVE THE TOP CABLE TIE TO THE ALLOW THE DESK TO EXTEND TO ITS FULL HEIGHT. THE SPRING WILL PULL THE CABLE UP AND TOWARDS THE CENTER BACK OF THE CASE AS THE DESK IS LOWERED. WHEN THE CABLE IS LOCATED CORRECTLY TO ALLOW FULL HEIGHT ADJUSTMENT ATTACH THE SMALL CABLE TIE (F) TO THE WOOD BASE WITH SCREW (G) LOCKING THE CABLE IN PLACE.



#### STEP 5

FOLLOW THE INSTRUCTION FROM THE KAIDI LIFT COMPANY TO INITIALIZE AND OPERATE THE KAIDI LIFT.