

Thank you for choosing Dynacraft!

At Dynacraft, our customers are always top-of-mind. We pride ourselves on making our bikes, scooters, and ride-on toys with the best quality materials because we want you to feel safe while riding our products.

For over 40 years, we have worked hard to ensure our products lead the industry in technology, design, and most importantly - fun! Our hope is to inspire families to make "Fun on Wheels" a larger part of their everyday lives.

Head over to [dynacraftwheels.com](https://www.dynacraftwheels.com) to learn more about all the exciting things Dynacraft has to offer!

FUN ON WHEELS™



FUN ON WHEELS™

OWNER'S MANUAL

This manual contains important safety, performance, and maintenance information. Read the manual before using your new wagon. Keep the manual handy for future reference.

To Register Your Ride, visit dynacraftwheels.com/registration

SCAN ME!

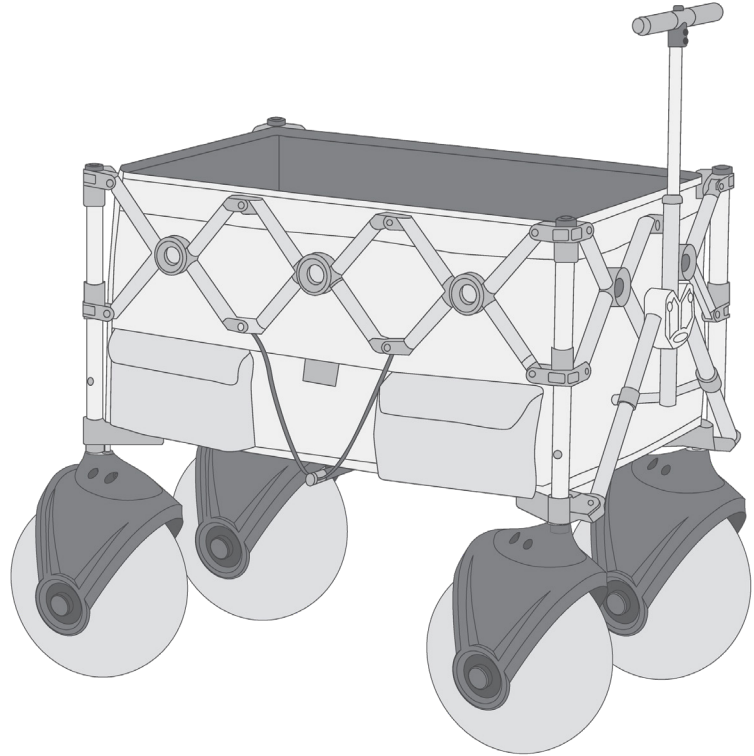


Register My Ride



DYNACRAFT®

**XL Wagon -
Beach Bundle**



NOTE: Illustrations in this manual are for reference purposes only and may not reflect the exact appearance of the actual product. Specifications are subject to change without notice. This manual contains important safety, performance and maintenance information. Read the manual before first use. Keep the manual handy for future reference.

TABLE OF CONTENTS

A	Introduction, Safety and Warnings	3
B	Before You Begin Assembly	5
C	Parts Diagram	6
D	Assembly	7
E	Features	10
F	Maintenance	12
G	Limited Warranty	13

SPECIFICATIONS

Capacity	Up to 200 lb (90.7 kg)
Size	42 x 30 x 45 in

ABOUT THIS MANUAL:

This manual was written to help you get the most performance, comfort, enjoyment, and safety when using your new beach wagon. It is important for you to understand your new wagon.

NOTE: Store the wagon indoors when not in use. Avoid any exposure to rain, excessive sun, or other inclement weather.

RIDE AT YOUR OWN RISK AND ALWAYS USE COMMON SENSE:

This manual contains many warnings and cautions concerning the consequences of failing to inspect, maintain, or properly use your wagon.

SAFE RIDING PRACTICES & WARNINGS

- For adult use only.
- Check and obey all local laws or regulations which may be in effect in the locations where the wagon may be used.
- Never allow anyone to ride in the wagon. The wagon is not a toy.
- Observe the weight limitations in the specifications of this manual.
- Do not use near steps, water, fire, or swimming pools.
- Do not allow hands, feet, hair, body parts, clothing, or similar articles to come in contact with the wheels or other moving parts.
- Watch your fingers when opening or folding the wagon.
- Do not park on steep inclines.
- Check to make sure the components are properly secured and are functioning according to the manufacturer's specifications.
- Regularly check the wagon and its components. If any parts are broken or worn, do not use the wagon until you have fixed or replaced the broken or worn parts.
- Components must be maintained and repaired only with the manufacturer's authorized replacement parts. Installation should be performed only by an adult.
- Keep all flame and heat sources away from wagon.
- Be careful when handling the frame. Avoid pinching hands or fingers in any moving parts when folding and unfolding the frame.

NOTE: Remove all packing and items from the carton.

ESTIMATED ASSEMBLY TIME:

As shipped in the box it is partially assembled. You should allow approximately 15 minutes for assembly.



DO NOT RETURN THIS ITEM TO THE STORE

Please contact Dynacraft customer service for assistance.

dynamcraftwheels.com/contact or 1-800-551-0032

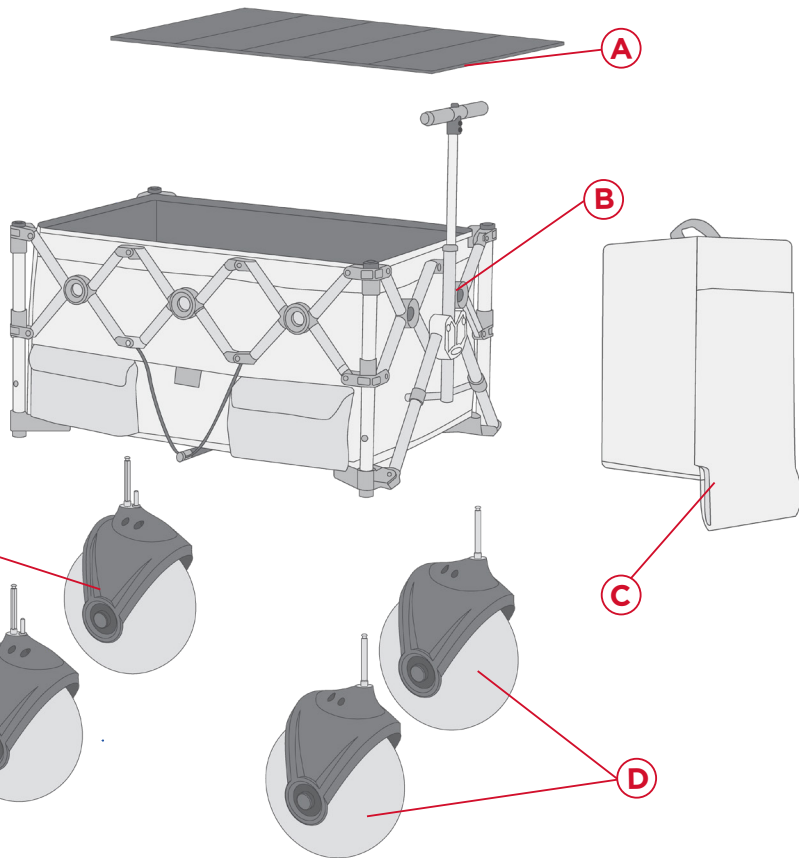
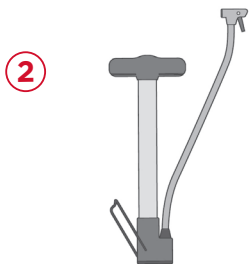
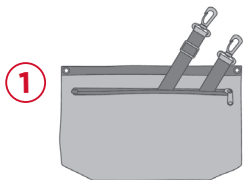
If you experience a problem with this product, or are missing a part, please contact our customer service team at **dynamcraftwheels.com/contact**, rather than return this product to the store. Please identify all parts before assembly and save all packaging material until assembly is complete to ensure that no parts are discarded.

PARTS

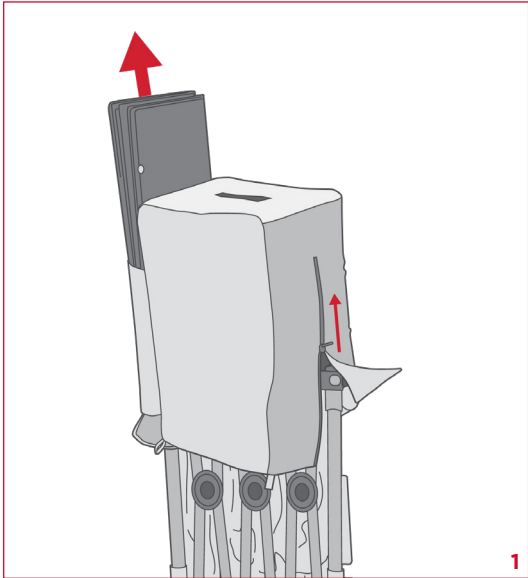
- A. Removable Liner x1
- B. Wagon Body x1
- C. Protective Cover x1
- D. Front XXL Beach Wheel x2
- E. Rear XXL Beach Wheel x2

INCLUDED ACCESSORIES

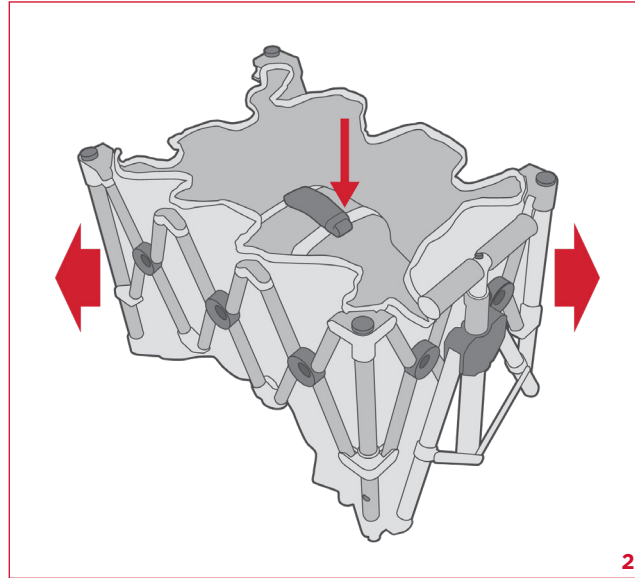
- 1. Water-Resistant Bag x1
- 2. Air Pump x1



UNFOLD WAGON BODY



- Take out the padded mat from the protective cover and remove the protective cover.

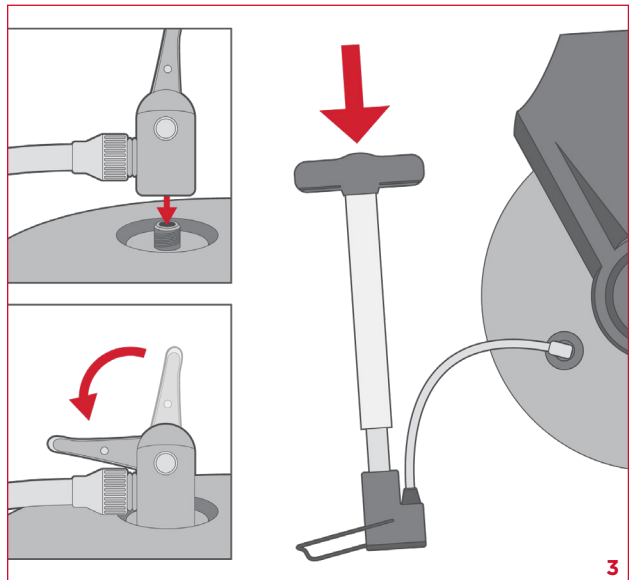


- Unfold wagon frame by pushing down on the center.

⚠ WARNING: Take care and watch fingers when unfolding or folding the wagon.

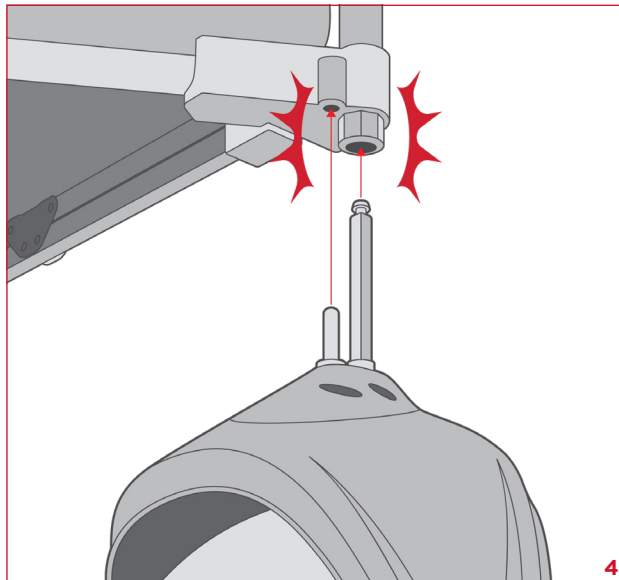
ASSEMBLY

INFLATE WHEELS



- Use the included air pump to inflate the tires.
- Flip the gauge lever down and push the air pump handle to properly inflate.
- The maximum inflation amount is 4 PSI. Use a pressure gauge (not included) to ensure the tires are inflated to the correct pressure.

ATTACH WHEELS

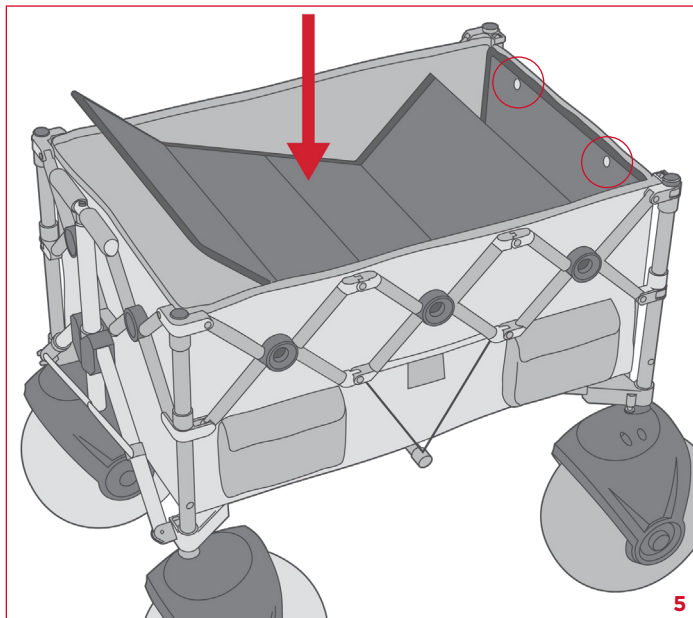


- Insert the front wheels into the corresponding holes until they click.
- Insert the rear wheels into the corresponding holes until they click (rear wheels include a raised stopper as shown above).

⚠ WARNING: Tires must be properly inflated before using. Never exceed the maximum pressure (4 PSI).

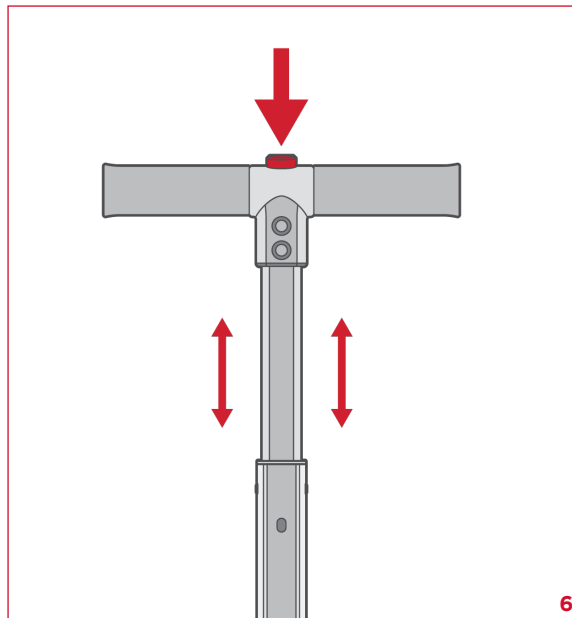
⚠ WARNING: Make sure the wheels are securely attached before using the wagon.

REMOVABLE LINER



- Unfold and spread the removable liner into the wagon body.
- Snap the buttons to fasten the removable liner.

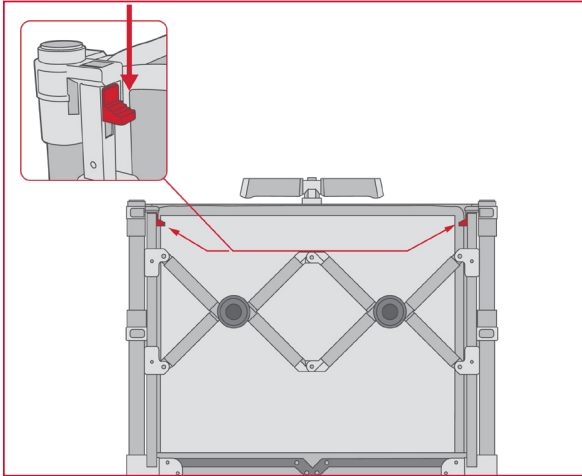
HANDLEBAR



- To extend or collapse the handlebar, push the button and pull the pole until it clicks.

⚠ WARNING: Make sure the handlebar is secure before using it.

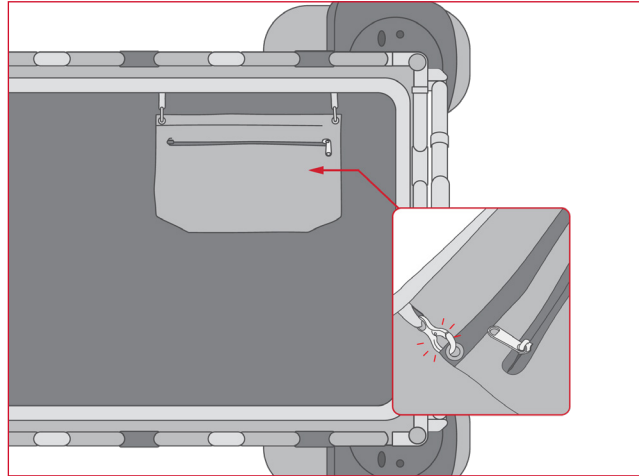
TAILGATE



- To unfold tailgate, press down on red buttons.
- Release buttons and let tailgate down slowly.

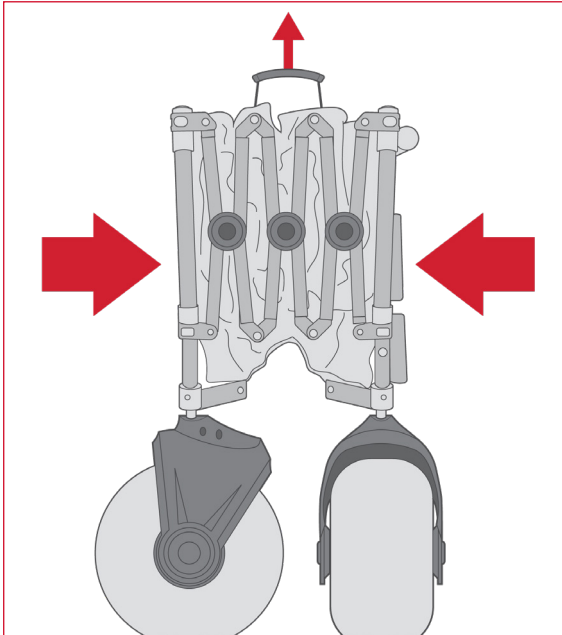
NOTE: Maximum load capacity with tailgate down is 130 lb (59 kg).

WATER-RESISTANT BAG



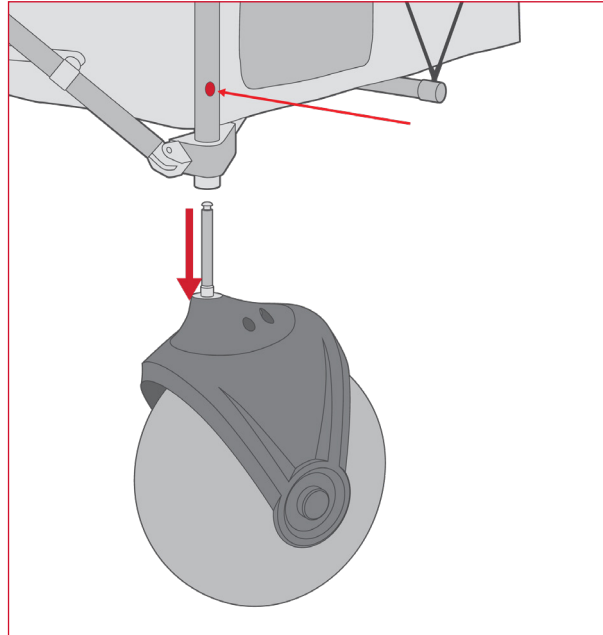
- Attach the water-resistant bag to the wagon using the hooks provided on the inside wall of the wagon.
- The water-resistant bag will keep belongings safe in wet conditions.

COLLAPSE WAGON



- Lift by center handle to collapse for easy storage and travel.

REMOVE WHEELS



- To remove the wheels, press the red button on the frame and pull the wheel from the frame.
- When reattaching the wheels, ensure the tires are fully inflated.

⚠ WARNING: Take care and watch fingers when unfolding or folding the wagon.

IMPORTANT:

- Clean the brackets, fabric, plastic parts, wheels, and other parts thoroughly after each trip to avoid snow, rain, sand, mud, grass, insects, and other stains that could cause damage to the wagon body.
- If there are stains, gently wipe with a damp cloth. Do not use chemical detergents for wiping. After cleaning, store in a dry, cool place without sunlight.
- If encountering rainwater, please wipe and dry before storing to prevent metal frame from oxidizing and reducing their service life.
- Regularly check the wagon and its components. If any parts are broken or worn, do not use the wagon until you have fixed or replaced the broken or worn parts.
- Components must be maintained and repaired only with the manufacturer's authorized replacement parts. Installation should only be performed by an adult.

This Limited Warranty (“Warranty”) extends only to the original retail purchaser, who must provide proof of purchase to validate any claim. This Warranty is not transferable to anyone else and is the only warranty for your Dynacraft product, to the extent permitted by law. No other express or implied warranty is given, and except to the extent prohibited by applicable law, any implied warranty of merchantability or fitness for a particular purpose on this product is hereby disclaimed. Part or model specifications are subject to change without notice. By purchasing and using your new wagon you agree to be bound by the terms of this Warranty as set out below. This Warranty is subject to change without notice.

What does this Limited Warranty cover? This Warranty covers all parts of the wagon to be free from defects in workmanship and materials. This Warranty is only effective if: the wagon is used under normal conditions for its intended purposes, by a person that is capable of controlling the wagon and using it properly; and the wagon receives all necessary maintenance and adjustments.

What is not covered by this Limited Warranty? This Warranty does not include labor and transportation charges. You, the original purchaser will be responsible for labor or transportation charges associated with the repair or replacement of any parts found to be eligible for warranty coverage. This warranty does not cover damage caused by normal wear and tear, crash, collision, accidents, freight or transportation damage, misuse, abuse, neglect, improper assembly, improper maintenance, lack of maintenance, alteration, improper storage, corrosion, mold, rust, environmental exposure, natural disaster, animal damage, or any similar damage to the wagon.

This Warranty will be void if the wagon is ever: modified in any way; rented or used for commercial purposes; or used in a manner contrary to the instructions in the Owner’s Manual included with this product. Dynacraft will not be liable for incidental or consequential loss or damage, due directly or indirectly from use of this product. Misuse or abuse of warranty claims may void the warrant and result in denial of current or future claims.

Refurbished or open-box products may have limited coverage as defined at the time of sale.

LIMITED WARRANTY

For how long does this Limited Warranty last? The wagon, with the exception of the cosmetic parts and parts subject to wear, as described below, is warranted against defective materials or workmanship for a period of one year from the original date of purchase.

Parts and accessories considered to be cosmetic and not essential for the operation of this wagon as well as those parts and accessories subject to normal wear and tear are warranted against defective materials or workmanship for a period of 30 days from the original date of purchase. Claims for missing parts or incorrect items must also be submitted within 30 days of purchase or delivery. An original receipt confirming the original date of purchase, the retailer's name, and item purchased is required to validate your warranty. Parts and accessories considered cosmetic include, but are not limited to: decorations/accessories. Parts and accessories subject to wear and tear include, but are not limited to tires, wheels and wheel components.

What will Dynacraft do to honor this Limited Warranty? Dynacraft will replace any component confirmed to be defective and eligible for warranty replacement with the same or a functionally equivalent part. You, the original purchaser, will be responsible for any and all labor or transportation charges connected with the replacement or repair of the wagon or any covered parts.

How do you make a claim under this Limited Warranty? Warranty claims should be submitted via Dynacraft's online portal at dynacraftwheels.com/contact. Please have your proof of purchase available before contacting to validate your claim.

Products can be registered at dynacraftwheels.com/register.



DO NOT RETURN THIS ITEM TO THE STORE

Please contact Dynacraft customer service for assistance.

dyncraftwheels.com/contact or 1-800-551-0032

Please have the following information available:

Model Number

Example: 8000-00

Production Date

Example: MM.DD.YYYY

Batch Number

Example: 000000

Serial Number

Example: 8000-00XXX

This information is provided on a white sticker located on your unit and is required to help us handle your request. Please do not remove the sticker from your unit.



Dynacraft BSC, Inc.
1501 Crossgate Road
Port Wentworth, GA 31407
©Dynacraft. All Rights Reserved.

Contact Customer Service
📍 dyncraftwheels.com/contact
☎ 1-800-551-0032

2026 Printed in China

BM313