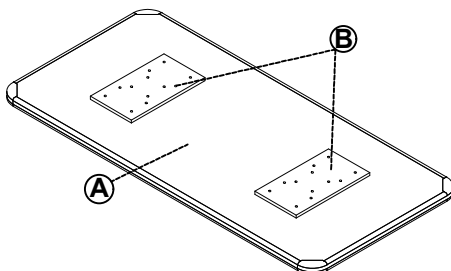


ZINNIA WOOD DINING TABLE

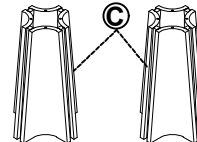
ASSEMBLY INSTRUCTIONS



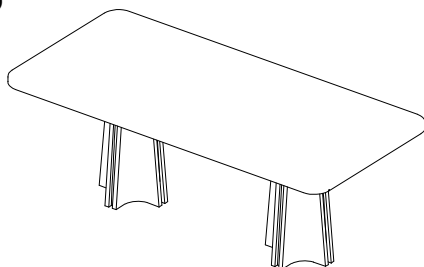
BOX #1:
A. TABLE TOP: 1 PC
B. SUPPORT PLATE: 2 PCS



BOX #2:
C. LEG: 2 PCS



FULLY ASSEMBLED

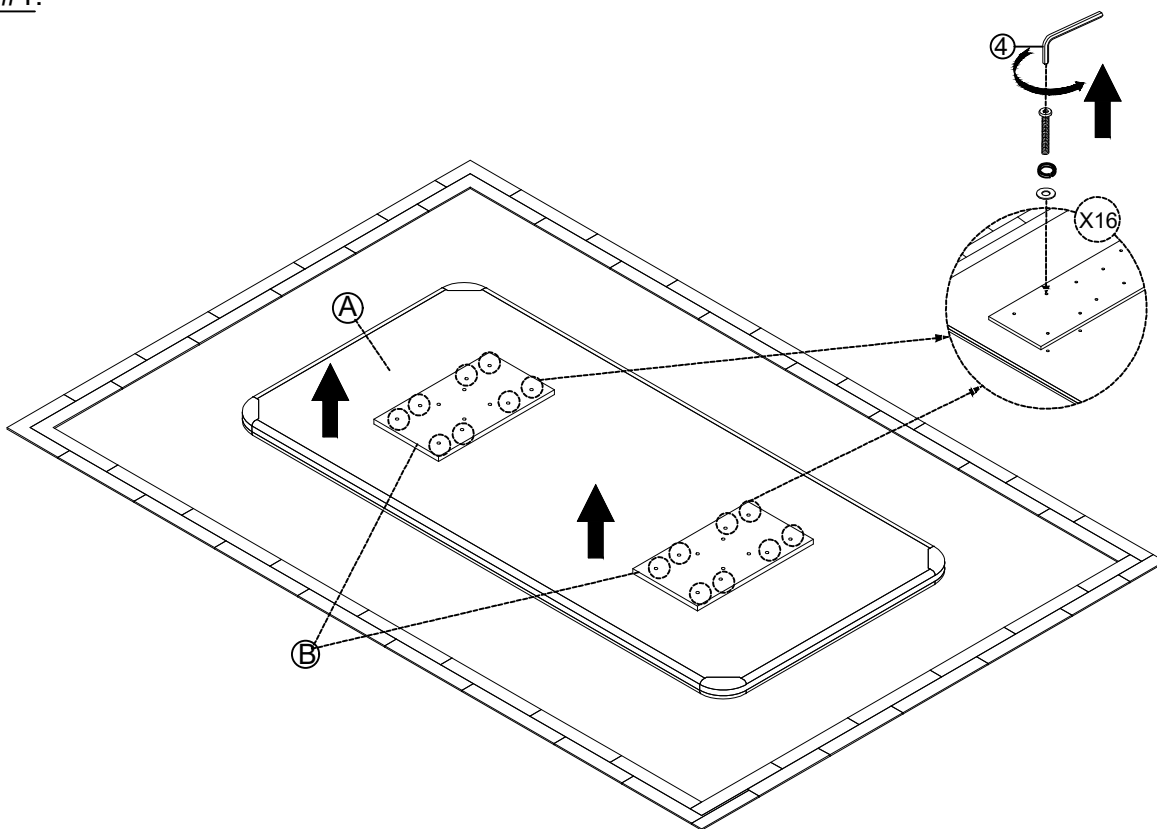


HARDWARE KIT PACKED IN BOX #1

NO.	DESCRIPTION	IMAGE	QUANTITY
1	ALLEN BOLT (5/16"x 1-3/4")		8 PCS
2	FLAT WASHER (5/16")		8 PCS
3	SPRING WASHER (5/16")		8 PCS
4	ALLEN KEY (5mm)		1 PC



STEP #1:

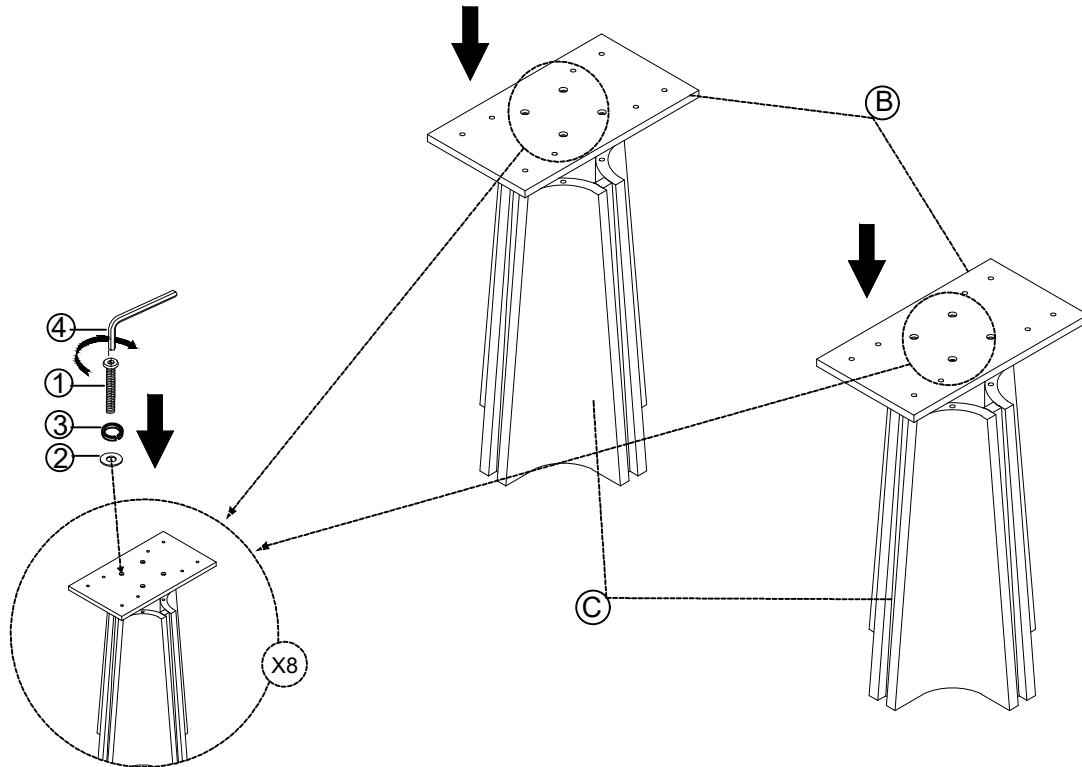


ZINNIA WOOD DINING TABLE

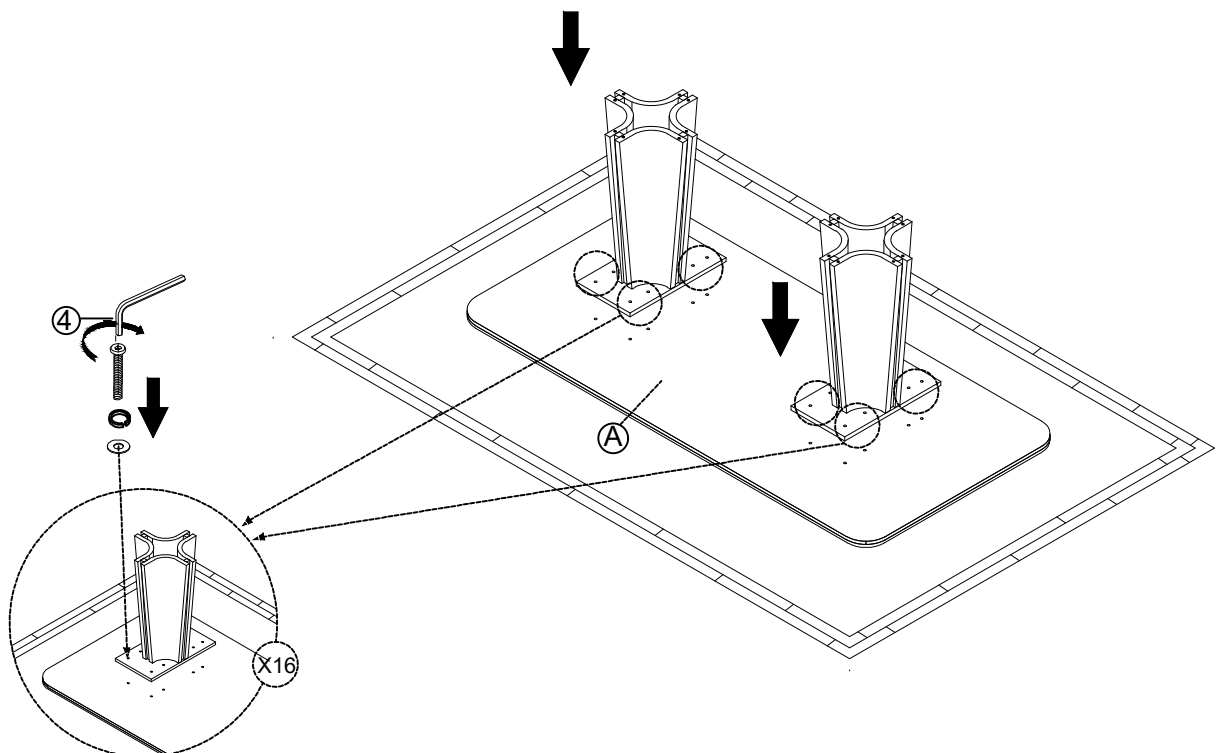
ASSEMBLY INSTRUCTIONS



STEP #2:



STEP #3:

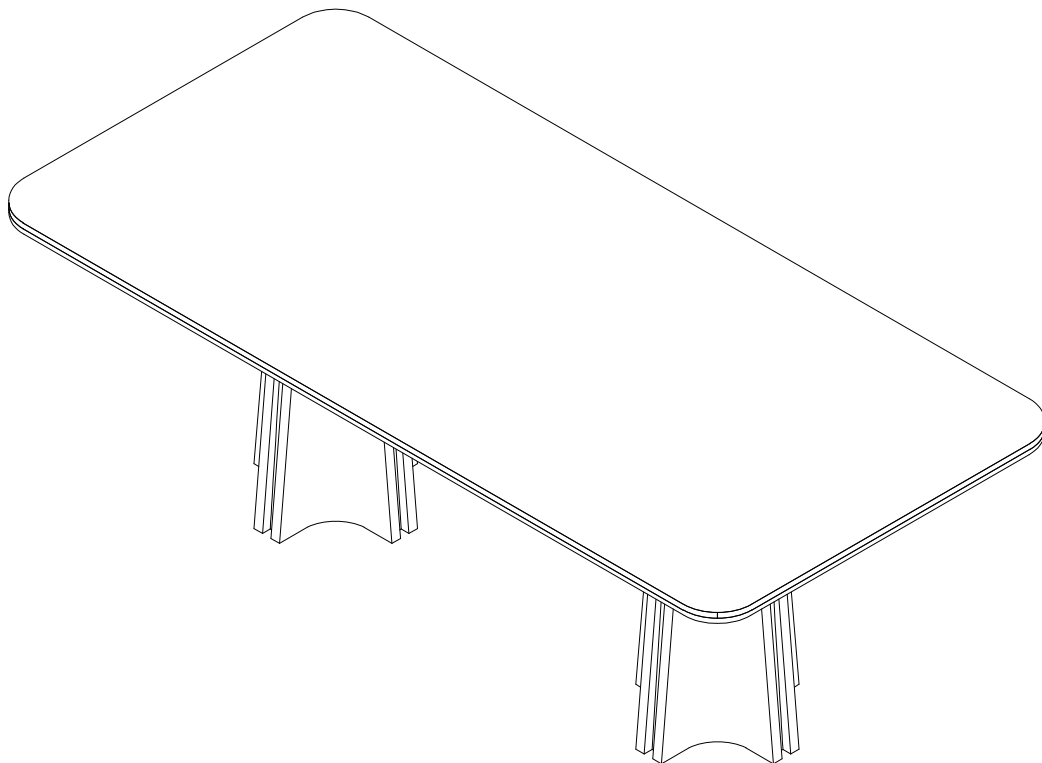
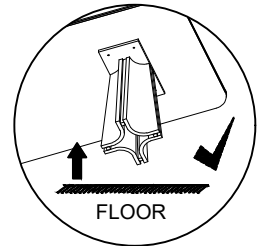
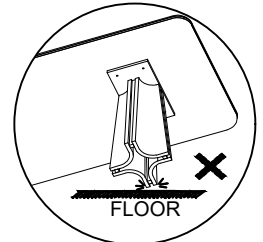
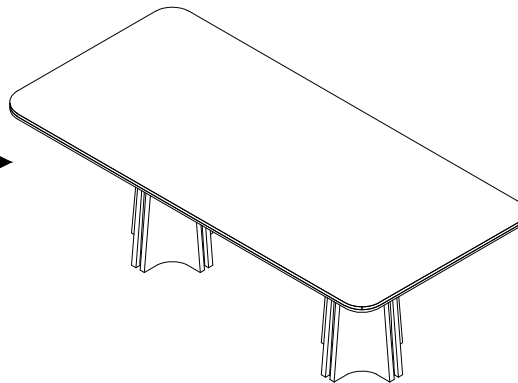
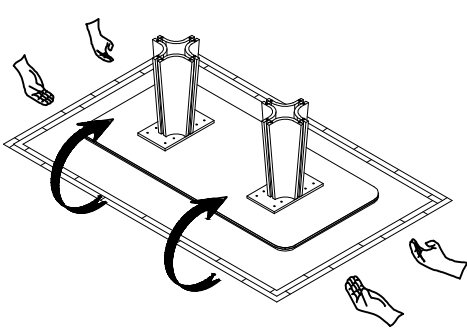


ZINNIA WOOD DINING TABLE

ASSEMBLY INSTRUCTIONS



STEP #4:



ASSEMBLY COMPLETE