

# 10' x 10' PAVILION

Installation and Operating Instructions – YM11909

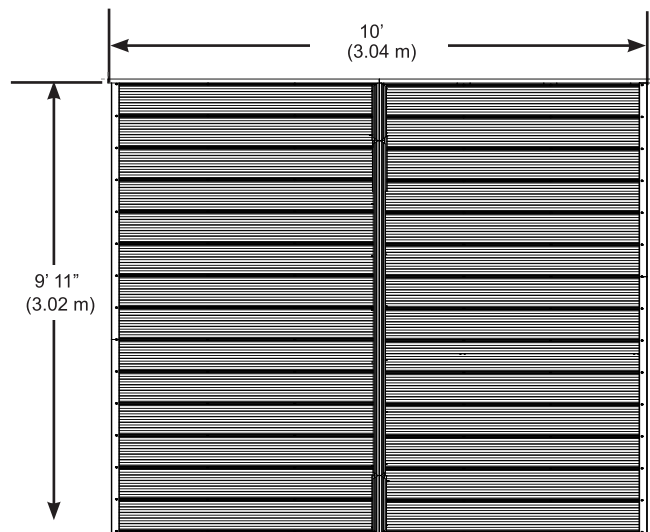


IMPORTANT, RETAIN FOR FUTURE REFERENCE: READ CAREFULLY

Revised 11-08-2019

**YARDISTRY**<sup>®</sup>

Yardistry – North America  
Toll Free Customer Support:  
1.888.509.4382  
info@yardistrystructures.com  
www.yardistrystructures.com



Height: 9' 3-1/2" (2.83 m)

## **Important Safety Notice!**

Yardistry components are intended for privacy, decorative and ornamental use only.

### **Product is NOT INTENDED for the following:**

- A safety barrier to prevent unsupervised access to pools, hot tubs, spas or ponds.
- As load bearing support for a building, structure, heavy objects or swings.
- Used in structures that trap wind, rain or snow that would create extra load on the product.

### **Accumulated snow must be removed from roof.**

**DO NOT** climb or walk on roof for any reason.

**Permanent structures may require a building permit.** As the purchaser and or installer of this product you are advised to consult local planning, zoning and building inspection departments for guidance on applicable building codes and/or zoning requirements.

**Wood is NOT flame retardant and will burn.** Grills, fire pits and chimineas are a fire hazard if placed too close to a Yardistry structure. Consult user's manual of the grill, fire pit or chiminea for safe distances from combustible materials.

**Wear gloves to avoid injury** from possible sharp edges of individual elements before assembly.

**During installation, follow all safety warnings provided with your tools and use OSHA approved safety glasses.** Some structures may require two or more people to install safely.

**Check for underground utilities before digging or driving stakes into the ground!**

**It is important during assembly to closely follow the instructions,** complete the assembly on a solid level surface and that you follow the instruction to square up, level and anchor the structure, this will reduce the gap at wood connections during assembly.

## **General Information**

**General Information:** Wood components are manufactured with Cedar (C. Lanceolata) which is protected with factory applied water-based stain. Knots, small checks (cracks) and weathering are naturally occurring and do not affect the strength of the product. Annual application of a water-based water repellent sealant or stain is important and will help reduce weathering and checks.

[www.yardistrystructures.com](http://www.yardistrystructures.com)

Questions?

Call toll free or write us at:

1 (888) 509-4382

[info@yardistrystructures.com](mailto:info@yardistrystructures.com)

Patents Pending

# Limited Warranty

Yardistry warrants that this product is free from defect in materials and workmanship for a period of one (1) year from the original date of purchase. In addition, for any product with lumber, all lumber is warranted for five (5) years against rot and decay. This warranty applies to the original owner and registrant and is non-transferable.

Regular maintenance is required to assure the integrity of your product and is a requirement of the warranty. This warranty does not cover any inspection costs.

**This Limited Warranty does not cover:**

- Labour for replacement of any defective item(s);
- Incidental or consequential damages;
- Cosmetic defects which do not affect performance or integrity;
- Vandalism; improper use or installation; acts of nature, including but not limited to wind, storms, hail, floods, excessive water exposure;
- Minor twisting, warping, checking or any other natural occurring properties of wood that do not affect performance or integrity.

Yardistry products have been designed for safety and quality. Any modifications made to the original product could damage the structural integrity of the product leading to failure and possible injury. Yardistry cannot assume any responsibility for modified products. Furthermore, modification voids any and all warranties.

**This product is warranted for RESIDENTIAL USE ONLY. Yardistry disclaims all other representations and warranties of any kind, express or implied.**

*This Warranty gives you specific legal rights. You may have other rights as well which vary from state to state or province to province. This warranty excludes all consequential damages, however, some states/provinces do not allow the limitation or exclusion of consequential damages, and therefore this limitation may not apply to you.*

# Instructions for Proper Maintenance

Your Yardistry structure is designed and constructed of quality materials. As with all outdoor products it will weather and wear. To maximize the enjoyment, safety and life of your structure it is important that you, the owner, properly maintain it.

## HARDWARE:

- Check metal parts for rust. If found, sand and repaint using a non-lead paint complying with 16 CFR 1303.
- Inspect and tighten all hardware after completion of assembly; after first month of use; and then annually. Do not over-tighten as to cause crushing and splintering of wood.
- Check for sharp edges or protruding screw threads, add washers if required.

## WOOD PARTS:

- Applying a water repellent or stain (water-based) on a yearly basis is important maintenance to maintain maximum life and performance of the product.
- Check all wood members for deterioration, structural damage and splintering. Sand down splinters and replace deteriorated wood members. As with all wood, some checking and small cracks in grain is normal
- Some gapping may occur at some wood connections.

## Assembly Guides

### Tools Required:

- |                              |                  |                      |
|------------------------------|------------------|----------------------|
| • Tape Measure               | • 8' Step Ladder | • 6' Step Ladder x 2 |
| • Carpenters Level           | • Safety Glasses | • Square             |
| • Standard or Cordless Drill | • Adult Helper   | • Ratchet            |
| • 7/16", 1/2" & 9/16" Wrench | • Safety Gloves  |                      |
| • 7/16", 1/2" & 9/16" Socket | • Hard Hat       |                      |

### Symbols:

Throughout these instructions symbols are provided in the top, right-hand corner of the page.



- Use Help, where this is shown, 2, 3 or 4 people are required to safely complete this step. To avoid injury or damage to the assembly make sure to get some help.



- Use a measuring tape to assure proper location



- Pre-drill a pilot hole before fastening screw or lag to prevent splitting of wood.



- Check that assembly is square before tightening bolts

**If you dispose of your Yardistry structure:** Please disassemble and dispose of your unit so that it does not create any unreasonable hazards at the time it is discarded. Be sure to follow your local waste ordinances.

## Assembly Tips

Following are some helpful tips to make the assembly process smooth and efficient.

### PRE-ASSEMBLIES:

(i.e. Post and Beam Assemblies, Roof Rafter Assembly, etc)

- Work on a raised, solid and flat surface such as, a table or saw horse.
- Keep all connections flush where shown in the instructions.
- When assembling the beams keep parts flat, straight and snug when connecting.

### METAL PARTS:

- Roofing material may have sharp edges, wear safety gloves.
- Remove all plastic covering, on both sides of the metal panels, directly before installing each piece.
- Place roofing material on a non-abrasive surface before and after assembly as it can bend, dent and scratch easily.
- The roofing screws can easily crush the roof panels and roof edges when using a power drill. We recommend hand tightening the roofing screws so they sit snug and tight to the roofing material.

# Permanent Installation Examples

**Note: It is critically important you start with square, solid and level footings, concrete pad or deck to attach your Pavilion.**

We supply Post Mounts with this structure which gives you the flexibility to permanently install your structure to a pre-existing or new wood or concrete surface.

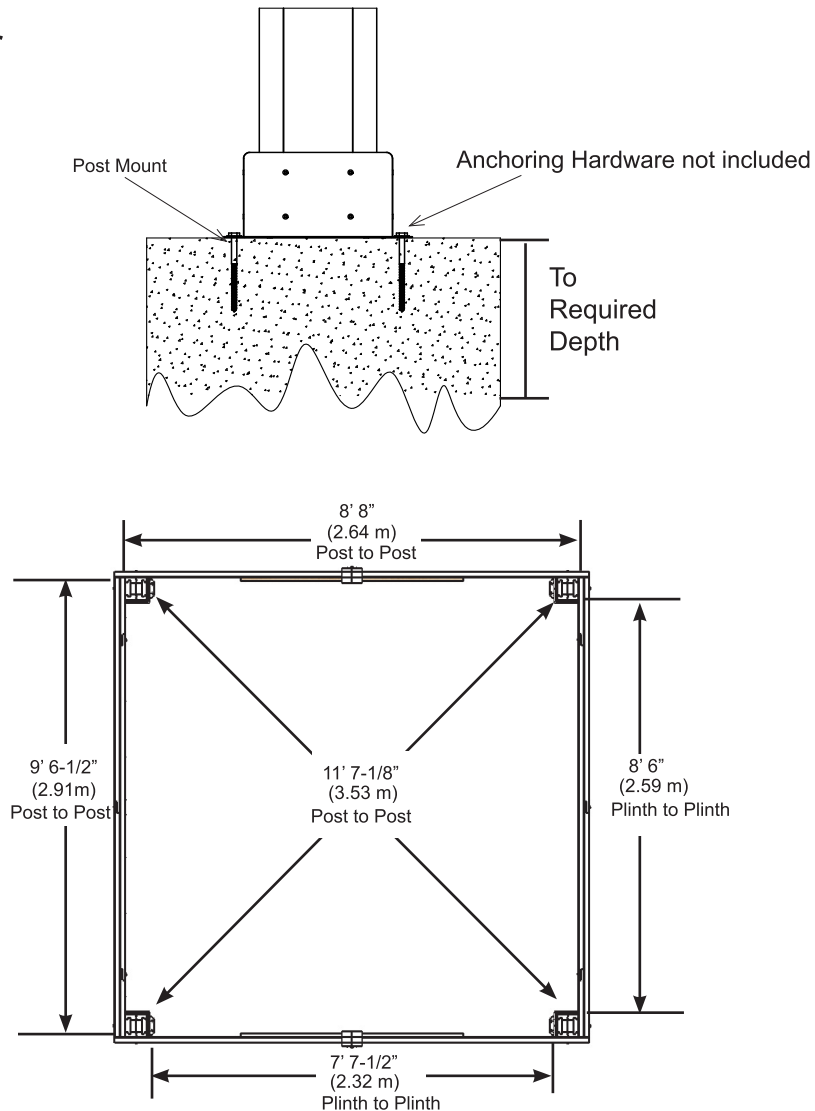
- The hardware to attach the Post Mount to the structure is included.
- The hardware to mount the structure permanently will need to be purchased separately at your local hardware store.

If you are mounting to concrete footers see below for the correct locations and placement. Please double check for possibility of any underground utilities such as gas, telephone, cable or sprinkler lines.

Following are some examples of how to mount the structure to wood or concrete surfaces.

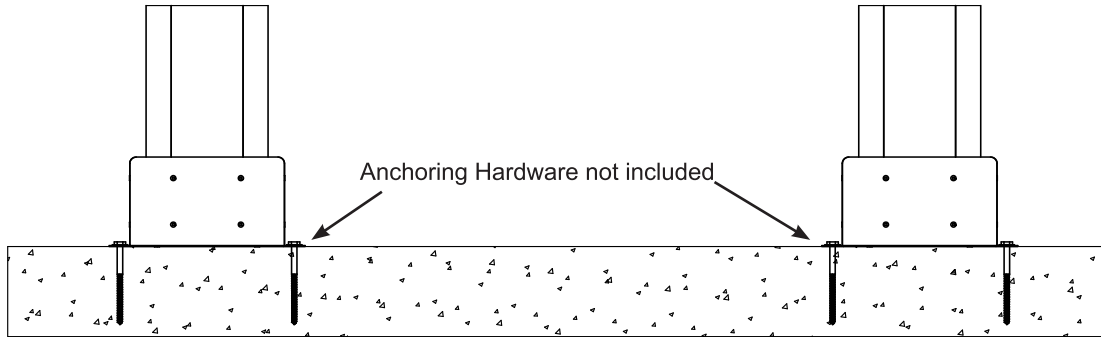
Refer to your local building and city codes, ordinances, neighbourhood covenants, or height restrictions regarding this type of structure for guidance on acceptable installation requirements.

## Concrete Footer

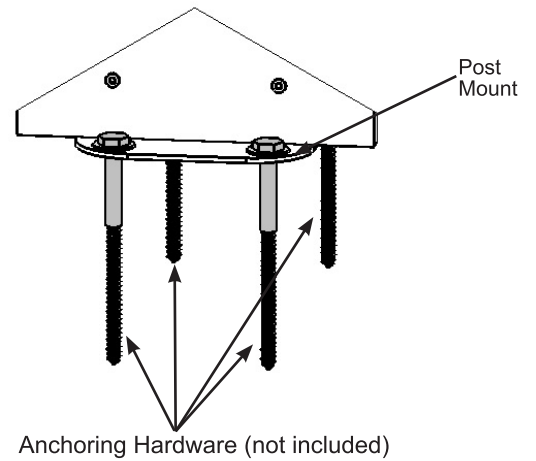
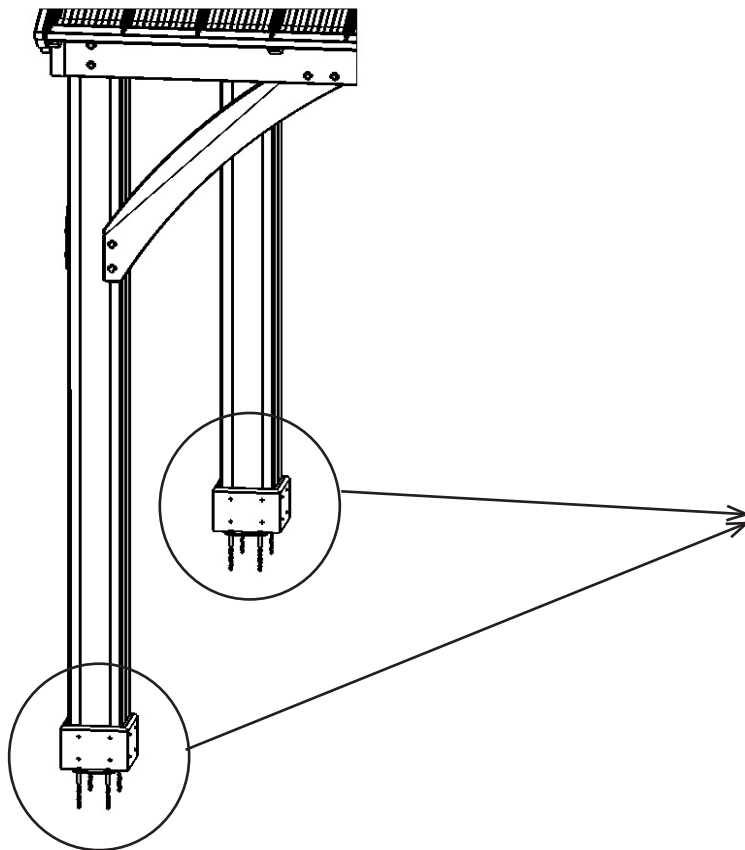
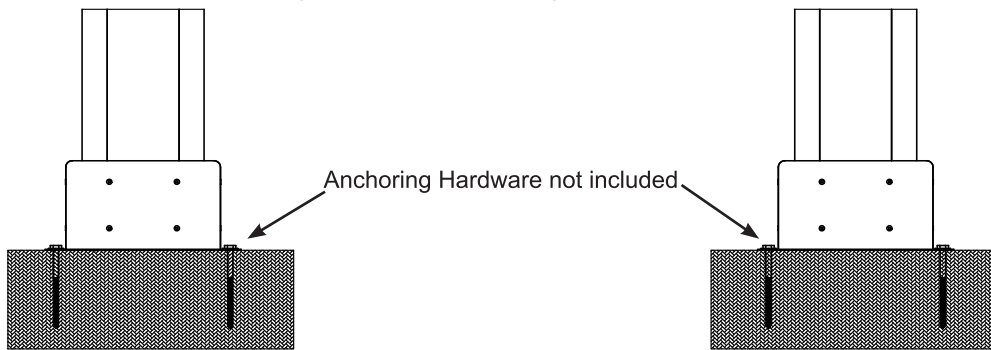


## Permanent Installation Examples cont.

Concrete Patio [min. 10' 1" x 10' 6-1/2" (3.073 m x 3.213 m)] with 6" (15.24 cm) clearance on all sides



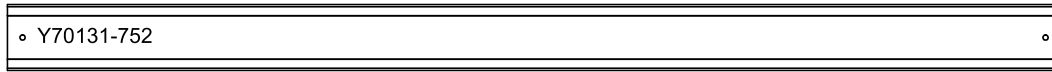
Wood Deck [min. 10' 1" x 10' 6-1/2" (3.073 m x 3.213 m)] with 6" (15.24 cm) clearance on all sides



*Post Mounts have a 1/2" diameter hole for anchoring hardware.*

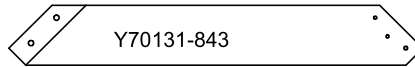
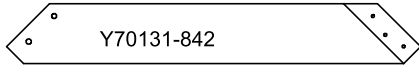
# Part Identification ( Dimensions are approximate and are shown to assist in the identification of parts for assembly. Actual dimensions may be smaller or larger. )

**4pc. (752) - Post 2235.2mm ( 88")**



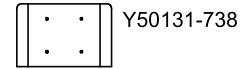
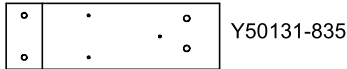
**4pc. (842) - Gusset Right 876.3mm (34-1/2")**

**4pc. (843) - Gusset Left 876.3mm (34-1/2")**



**4pc. (835) - Side Beam Ends 452.4mm (17-13/16")**

**16pc. (738) - Plinth 177.8mm (7")**

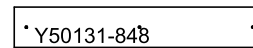
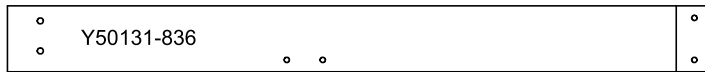


**2pc. (834) - Side Beam Inside 2156.9mm (84-15/16")**



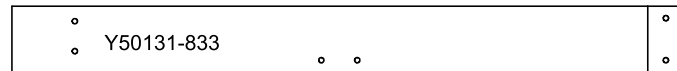
**4pc. (836) - Side Beam Outside 1492.3mm (58-3/4")**

**4pc. (848) - Gable End 530.2mm (20-7/8")**

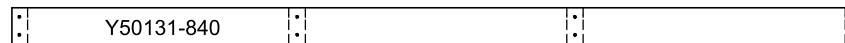


**4pc. (833) - Gable Beam 1422.4mm (56")**

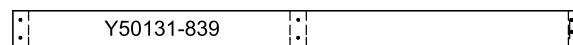
**2pc. (832) - Gable Inside 1295.4mm (51")**



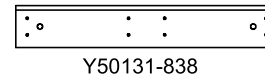
**6pc. (840) - Strap Long 1779.9mm (70")**



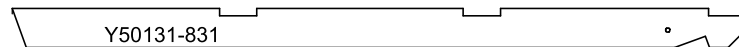
**6pc. (839) - Strap Short 1191.9mm (46-15/16")**



**2pc. (838) - Rafter Brace 553mm (21 3/4")**

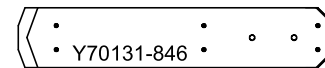
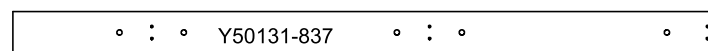


**12pc. (831) - Rafter 1553mm (61-1/8")**

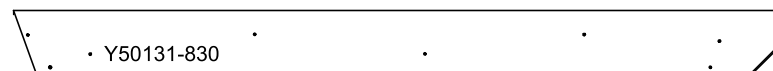


**2pc. (846) - Gable Upright Assembly 672mm (26 1/2")**

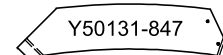
**4pc. (837) - Rafter Top 1485.9mm ( 58 1/2")**



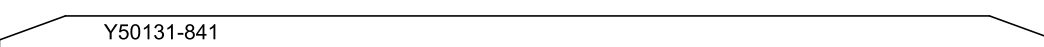
**4pc. (830) - Fascia 1621.4mm (63-7/8")**



**4pc. (847) - Gable Gusset 457mm (18")**

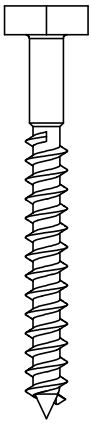


**4pc. (841) - Tie 2235.2mm (88")**

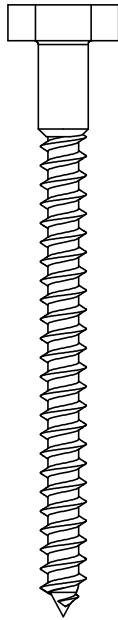




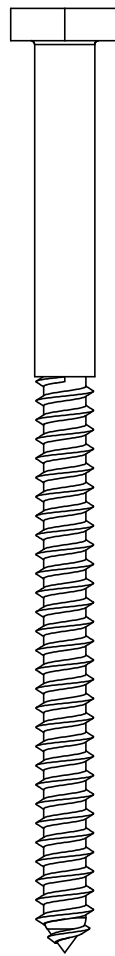
# Hardware Identification ( Dimensions are approximate and are shown to assist in the identification of parts for assembly. Actual dimensions may be smaller or larger. )



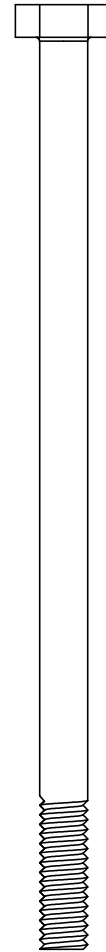
**24pc.** Lag Screw 1/4" x 1-15/16"  
No.12 Shank  
(Y06218-219)



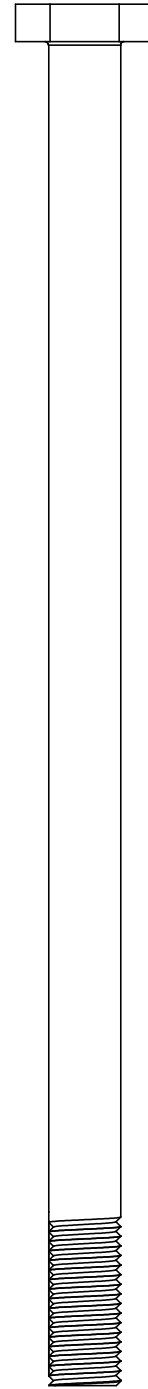
**4pc.** Lag Screw (1/4" Shank)  
5/16 x 3"  
(Y06218-330)



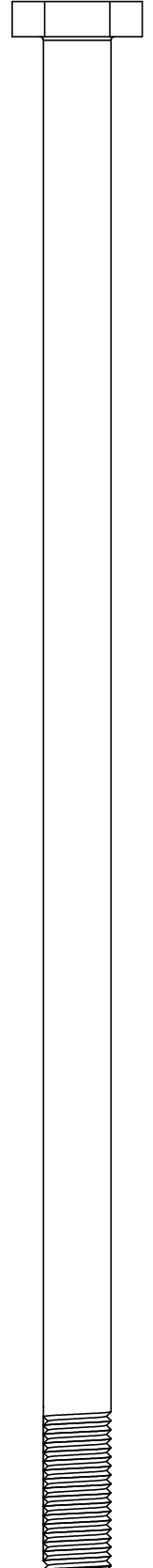
**4pc.** Lag Screw  
5/16 x 4-3/4"  
(Y06218-343)



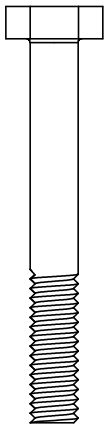
**2pc.** Hex Bolt  
1/4 x 4-3/4"  
Y07718-243



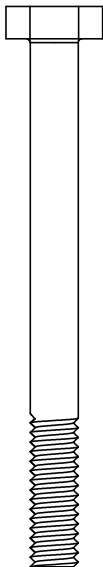
**4pc.** Hex Bolt  
3/8 x 7-1/4"  
(Y07718-871)



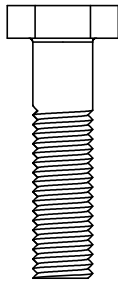
**4pc.** Hex Bolt  
3/8 x 8-1/2"  
(Y07718-882)



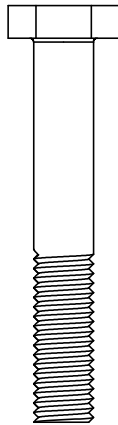
**8pc.** Hex Bolt  
1/4 x 2"  
(Y07718-220)



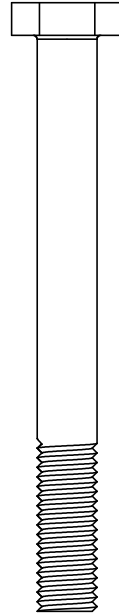
**8pc.** Hex Bolt  
1/4 x 2-3/4"  
(Y07718-223)



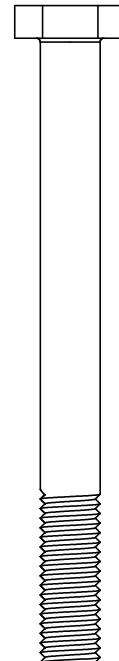
**20pc.** Hex Bolt  
5/16 x 1-1/4"  
(Y07718-311)



**10pc.** Hex Bolt  
5/16 x 2"  
(Y07718-320)

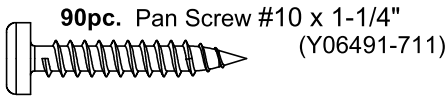


**2pc.** Hex Bolt  
5/16 x 3"  
(Y07718-330)



**8pc.** Hex Bolt  
5/16 x 3-1/4"  
(Y07718-331)

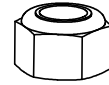
# Hardware Identification ( Dimensions are approximate and are shown to assist in the identification of parts for assembly. Actual dimensions may be smaller or larger. )



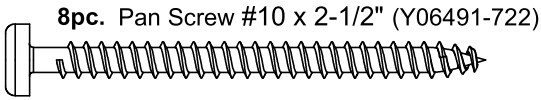
**90pc.** Pan Screw #10 x 1-1/4"  
(Y06491-711)



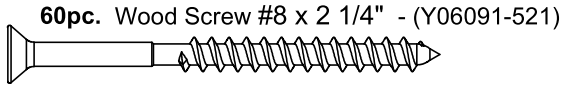
**18pc.** - 1/4" Lock Nut  
(Y08318-203)



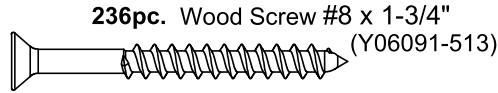
**8pc.** - 3/8" Lock Nut  
(Y08318-803)



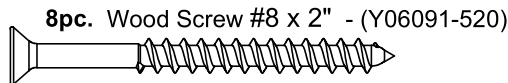
**8pc.** Pan Screw #10 x 2-1/2" (Y06491-722)



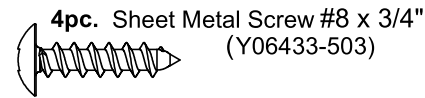
**60pc.** Wood Screw #8 x 2 1/4" - (Y06091-521)



**236pc.** Wood Screw #8 x 1-3/4"  
(Y06091-513)

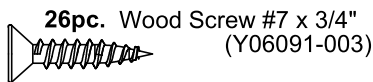
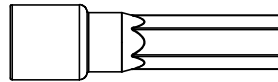


**8pc.** Wood Screw #8 x 2" - (Y06091-520)



**4pc.** Sheet Metal Screw #8 x 3/4"  
(Y06433-503)

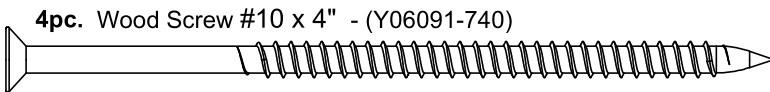
**1pc.** - Hex Driver (Y00400-004)



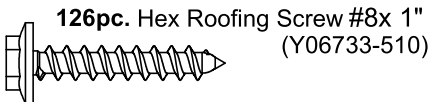
**26pc.** Wood Screw #7 x 3/4"  
(Y06091-003)



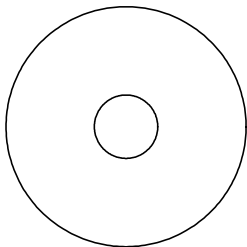
**1pc.** - 1/8" Drill Bit  
(Y00400-002)



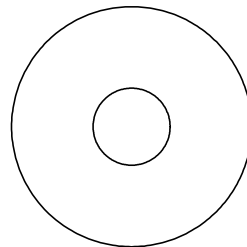
**4pc.** Wood Screw #10 x 4" - (Y06091-740)



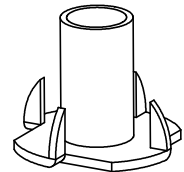
**126pc.** Hex Roofing Screw #8x 1"  
(Y06733-510)



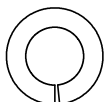
**108pc.**  
1/4-5/16 x 1-1/4" Large Washer  
(Y05118-311)



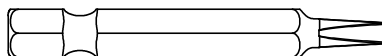
**16pc.**  
3/8 x 1-1/4" Large Washer  
(Y05118-811)



**40pc.** 5/16 - T-Nut  
(Y08518-300)

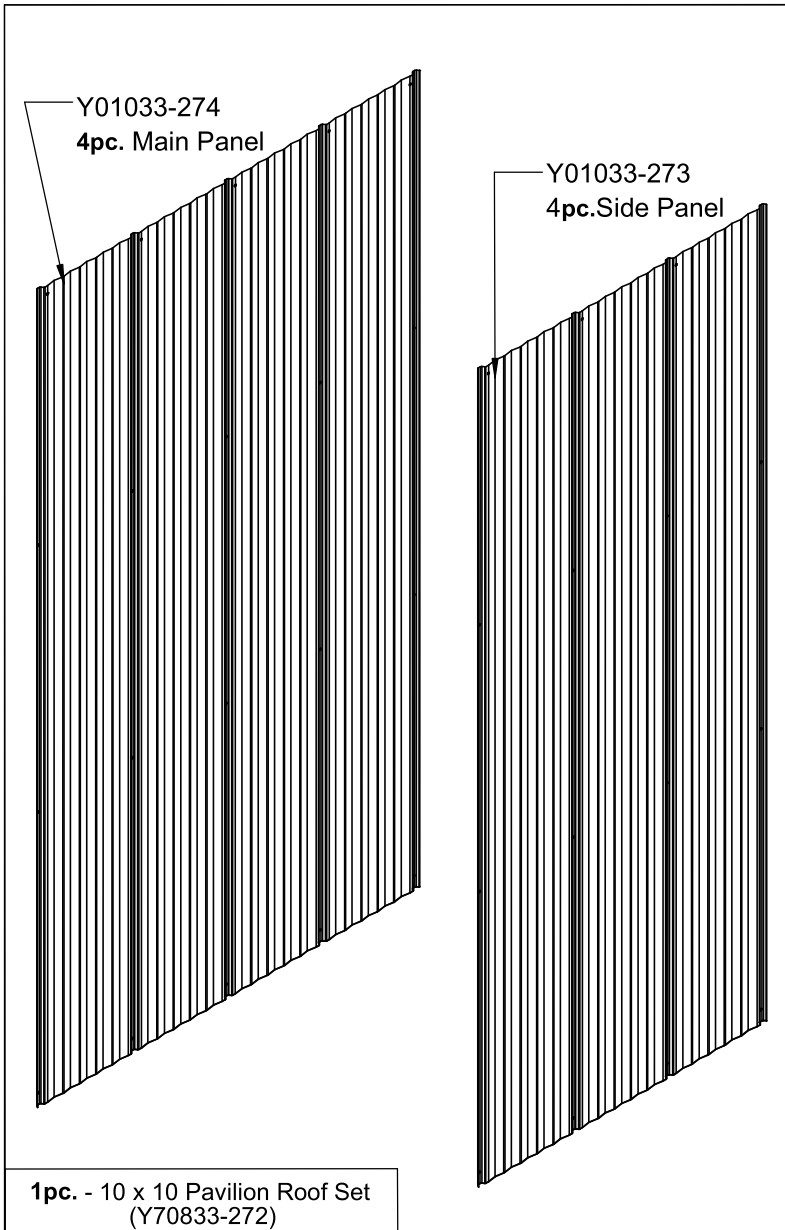


**40pc.** 5/16" Lock Washer  
(Y05318-300)



**1pc.** #2 x 2" Robertson Driver (Y00400-005)

# Hardware Identification ( Dimensions are approximate and are shown to assist in the identification of parts for assembly. Actual dimensions may be smaller or larger. )



2pc.  
Ridge Cap Short  
(Y01033-278)



4pc.  
Ridge Clip 15  
(Y01033-276)

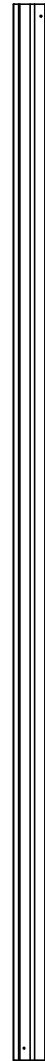


2pc.  
Roof Edge Left  
(Y01033-152)

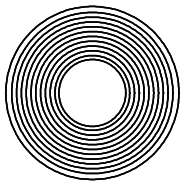


2pc.  
Roof Edge Right  
(Y01033-275)

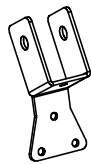
1pc.  
Ridge Cap  
(Y01033-277)



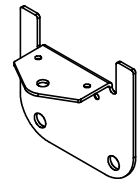
2pc.  
Ridge Clip  
(Y01033-114)



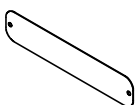
1pc. - Weather Seal -  
Ridge Clip (6Pk)  
(Y70818-280)



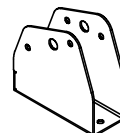
1pc. - Rafter Beam  
Bracket Set (8Pk)  
(Y70829-281)



1pc. - Post Mount  
Bracket Set (8Pk)  
(Y70819-109)



1pc. - Gazebo ID Plaque  
(Y70800-104)



1pc. - Tie Wrap  
Bracket Set (8Pk)  
(Y70819-106)

# Step 1: Inventory Parts - Read This Before Starting Assembly



- A.** This is the time for you to inventory all your hardware, wood and accessories, referencing the parts identification sheets. This will assist you with your assembly.
- Each step indicates which bolts and/or screws you will need for assembly, as well as any flat washers, lock washers, t-nuts or lock nuts.
- B.** If there are any missing or damaged pieces or you need assistance with assembly please contact the consumer relations department directly. Call us before going back to the store.

**1-888-509-4382**

**support@yardistrystructures.com**

- C.** Read the assembly manual completely, paying special attention to ANSI warnings; notes; and safety/maintenance information on pages 1 - 4.
- Follow the instructions in order.
  - This structure is designed to be assembled and installed ideally by four people, DO NOT attempt to install alone.
  - Consider the slope of elevation where you plan to install the structure. Also, check for gas, telephone, other utilities or sprinkler line locations prior to excavating any holes.
- D.** Before you discard your cartons fill out the form below.
- The carton I.D. stamp is located on the end of each carton.
  - Please retain this information for future reference. You will need this information if you contact the Consumer Relations Department.

**PRODUCT NUMBER: YM11909**

CARTON I.D. STAMP: \_ \_ \_ \_ \_ (Box 1)

CARTON I.D. STAMP: \_ \_ \_ \_ \_ (Box 2)

CARTON I.D. STAMP: \_ \_ \_ \_ \_ (Box 3)

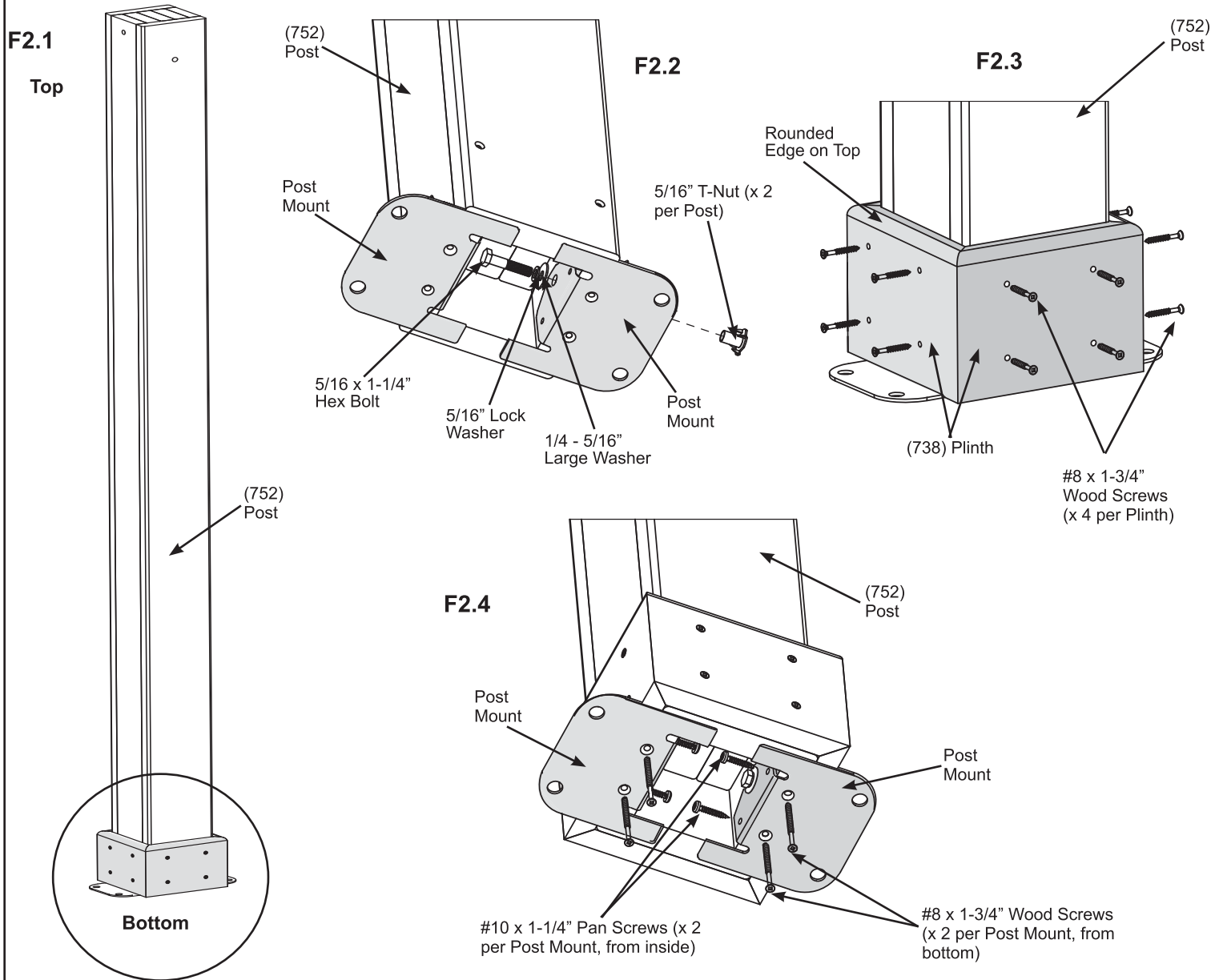
## Step 2: Post Assemblies

**A:** At the bottom of each (752) Post insert two 5/16" T-Nuts as shown in F2.1 and F2.2.

**B:** At the bottom of each (752) Post place two Post Mounts tight to the bottom and inside faces as shown in F2.1 and F2.2. Loosely attach with one 5/16 x 1-1/4" Hex Bolt (with 5/16" lock washer and 1/4-5/16" large washer) per mount so they connect to the T-Nuts.

**C:** On each side of the Posts, place one (738) Plinth flush to the bottom and attach with four #8 x 1-3/4" Wood Screws per plinth. Rounded edges on top. (F2.1 and F2.3)

**D:** From the bottom of each Post Mount attach to posts with two #8 x 1-3/4" Wood Screws per mount and then from the inside with two #10 x 1-1/4" Pan Screws per mount. These screws are installed at a slight angle. Tighten all bolts. There will be four Post Assemblies. (F2.4)



### Wood Parts

4 x (752) Post  
16 x (738) Plinth

### Hardware

16 x #10 x 1-1/4" Pan Screw  
80 x #8 x 1-3/4" Wood Screw  
8 x Post Mount  
8 x 5/16" T-Nut  
8 x 5/16 x 1-1/4" Hex Bolt (with 5/16" lock washer, 1/4-5/16" large washer)

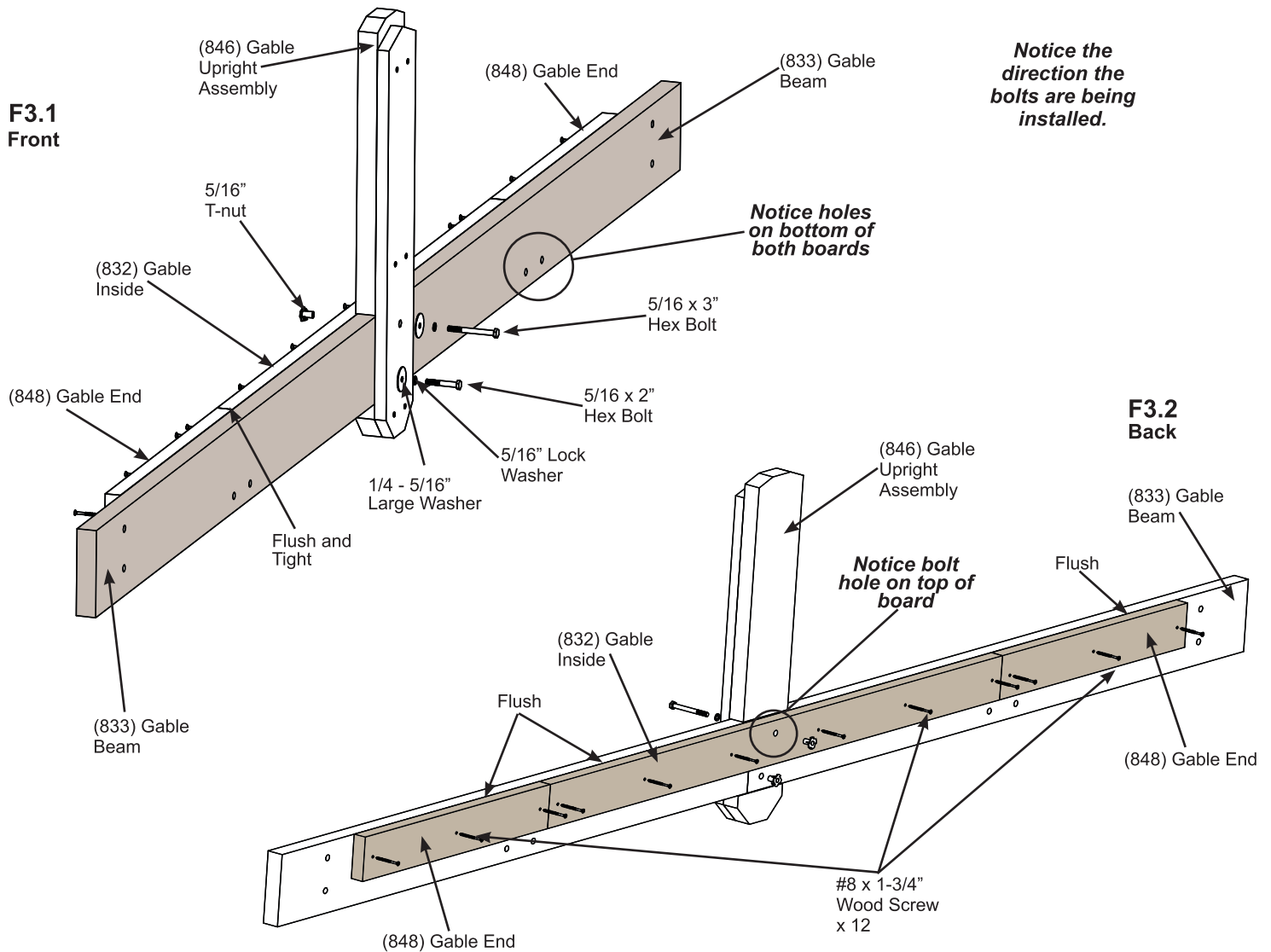
## Step 3: Gable Beam Assembly

**A:** Place two (833) Gable Beams tight together, then place one (846) Gable Upright Assembly centred, on one side of (833) Gable Beams and one (832) Gable Inside on the other side. (832) Gable Inside to be flush to top of (833) Gable Beams. Loosely attach (846) Gable Upright Assembly to (833) Gable Beams and (832) Gable Inside with one 5/16 x 3" Hex Bolt (with 5/16" lock washer, 1/4-5/16" large washer and 5/16" t-nut) in the top hole and 5/16 x 2" Hex Bolt (with 5/16" lock washer, 1/4-5/16" large washer and 5/16" t-nut) in the bottom hole. *Note: Bolt holes to the bottom of each (833) Gable Beam.* (F3.1 and F3.2)

**B:** Attach (832) Gable Inside to (833) Gable Beams with six #8 x 1-3/4" Wood Screws. Tighten bolts from Step A. (F3.1 and F3.2)

**C:** Place one (848) Gable End tight to each side of (832) Gable Inside, flush to the top of (833) Gable Beams then attach with three #8 x 1-3/4" Wood Screws per board. (F3.1 and F3.2)

**D:** Repeat Steps A - C one more time to make a second Gable Beam Assembly.



### Wood Parts

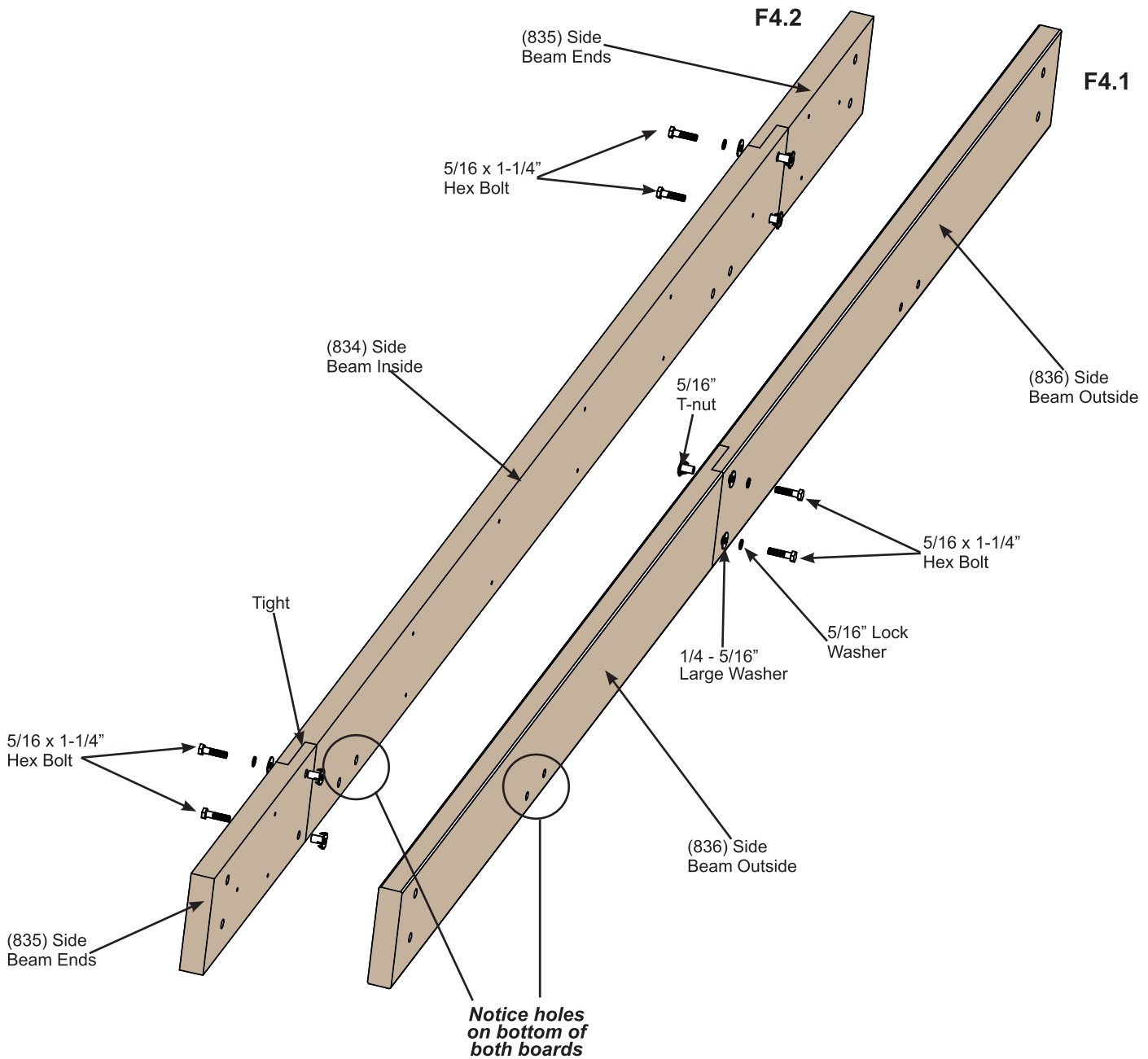
- 4 x (833) Gable Beam
- 2 x (846) Gable Upright Assembly
- 2 x (832) Gable Inside
- 4 x (848) Gable End

### Hardware

- 2 x 5/16 x 2" Hex Bolt  
(5/16" lock washer, 1/4-5/16" large washer, 5/16" t-nut)
- 2 x 5/16 x 3" Hex Bolt  
(5/16" lock washer, 1/4-5/16" large washer, 5/16" t-nut)
- 24 x #8 x 1-3/4" Wood Screw

# Step 4: Side Beam Assembly Part 1

- A:** Fit two (836) Side Beam Outsides together so the middle pilot holes are at the bottom for both. Connect using two 5/16 x 1-1/4" Hex Bolts (with 5/16" lock washer, 1/4-5/16" large washer and 5/16" t-nut) as shown in F4.1.
- B:** Connect one (835) Side Beam Ends to each end of one (834) Side Inside Beam using two 5/16 x 1-1/4" Hex Bolts (with 5/16" lock washer, 1/4-5/16" large washer and 5/16" t-nut) per end as shown in F4.2.
- C:** Repeat Steps A and B one more time to make two Outside Beam Assemblies and two Inside Beam Assemblies.



## Wood Parts

- 4 x (836) Side Beam Outside
- 2 x (834) Side Beam Inside
- 4 x (835) Side Beam Ends

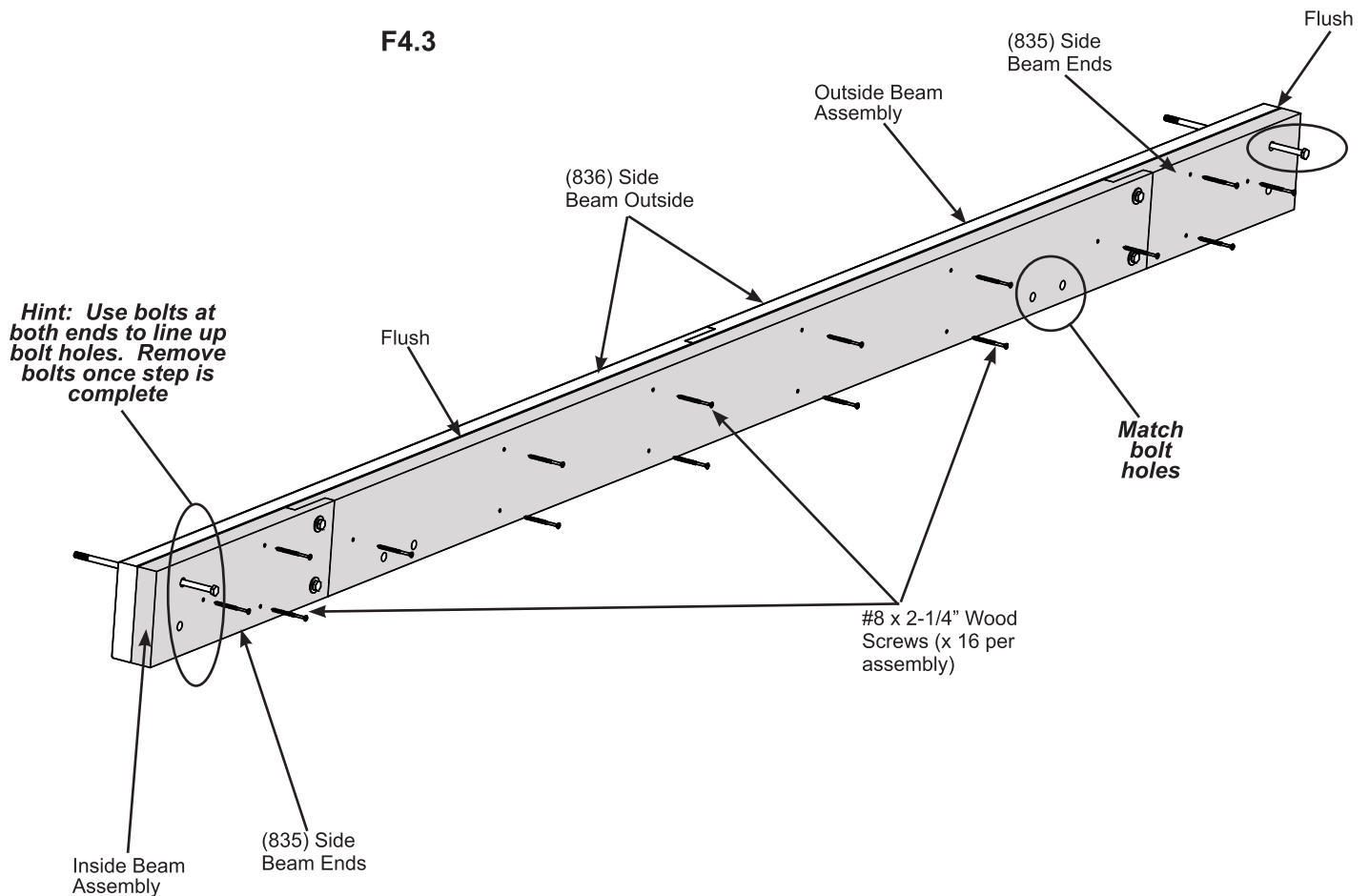
## Hardware

- 12 x 5/16 x 1-1/4" Hex Bolt  
(5/16" lock washer, 1/4-5/16" large washer, 5/16" t-nut)

## Step 4: Side Beam Assembly Part 2

**D:** Place one Outside Beam Assembly and one Inside Beam Assembly together so the ends are flush. Match the bolt holes in each assembly. Attach assemblies with 16 #8 x 2-1/4" Wood Screws. (F4.3)

**E:** Repeat Step D one more time to make a second Side Beam Assembly.

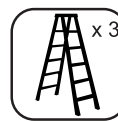


### Hardware

32 x #8 x 2-1/4" Wood Screw



# Step 5: Frame Assembly and Anchoring Part 1

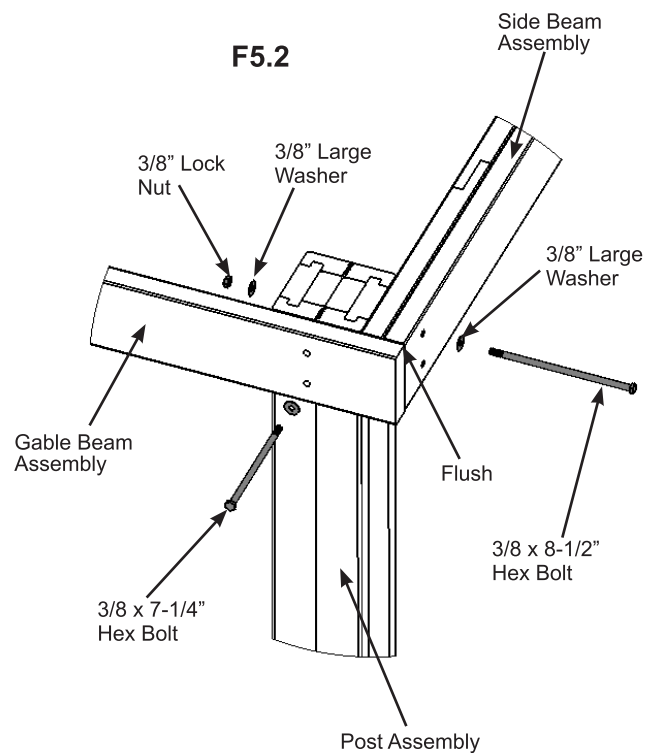
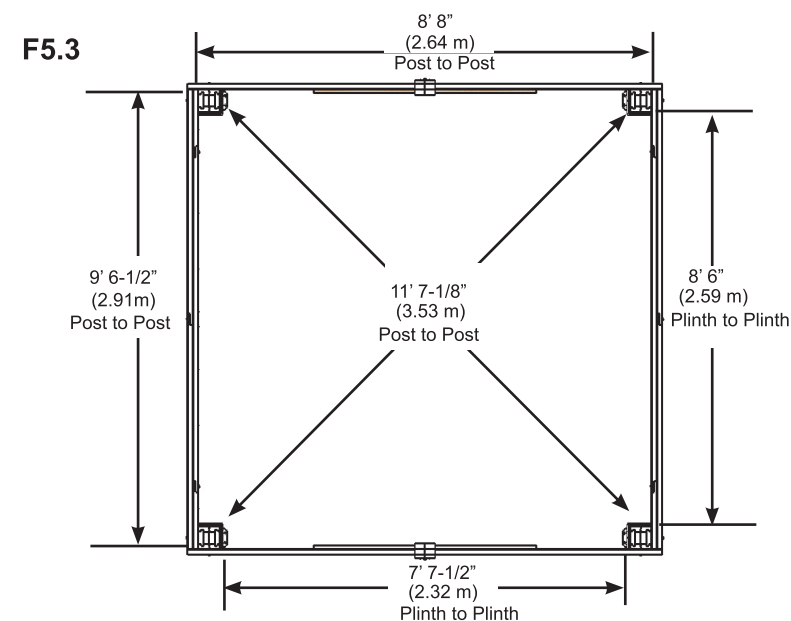
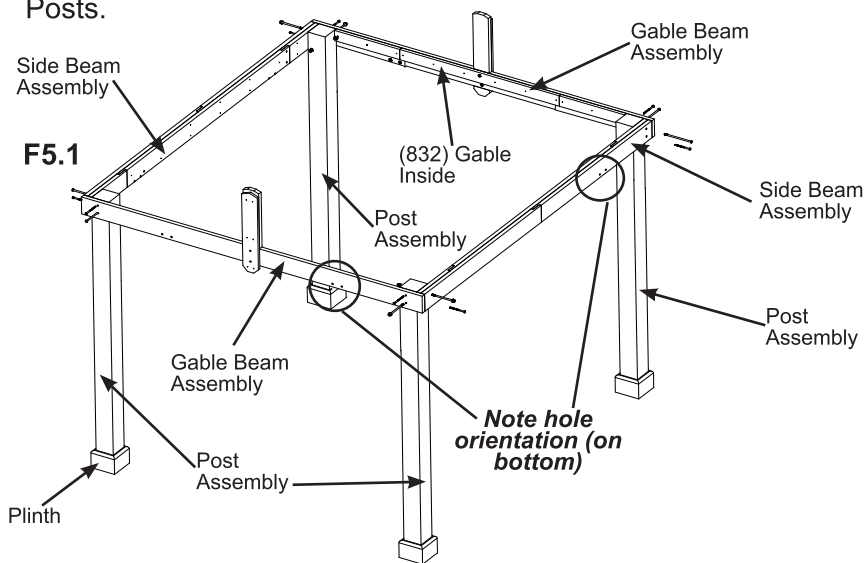


**A:** Move your Post Assemblies to the final location. Make sure the ground is flat and level before continuing assembly.

**B:** With one person at each Post stand two complete Post Assemblies. A third person places one Side Beam Assembly against the outside of each Post, flush to the tops and outside corners. Notice bolt hole orientation on the assemblies. A fourth person attaches Beam to Post with one 3/8" x 8-1/2" Hex Bolt (with two 3/8" large washers and one 3/8" lock nut) in the top hole, per Post. The distance from the outside of one Post to the outside of the second Post should be 9' 6-1/2" (2.91 m). (F5.1, F5.2 and F5.3)

**C:** Place one Gable Beam Assembly against two Post Assemblies so the (832) Gable Inside faces the inside and is flush to the top and outside corner of Side Beam Assembly, then attach with one 3/8" x 7-1/4" Hex Bolt (with two 3/8" large washers and one 3/8" lock nut) in the bottom hole, per Post. The distance from the outside of one Post to the outside of the second Post should be 9' 1" (2.77 m). (F5.1 and F5.2) See F5.3 for accurate positioning of Posts.

**D:** Repeat Steps B and C for remaining Beam Assemblies. See F5.3 for accurate positioning of Posts.



## Hardware

4 x 3/8" x 8-1/2" Hex Bolt (3/8" large washer x 2, 3/8" lock nut)

4 x 3/8" x 7-1/4" Hex Bolt (3/8" large washer x 2, 3/8" lock nut)

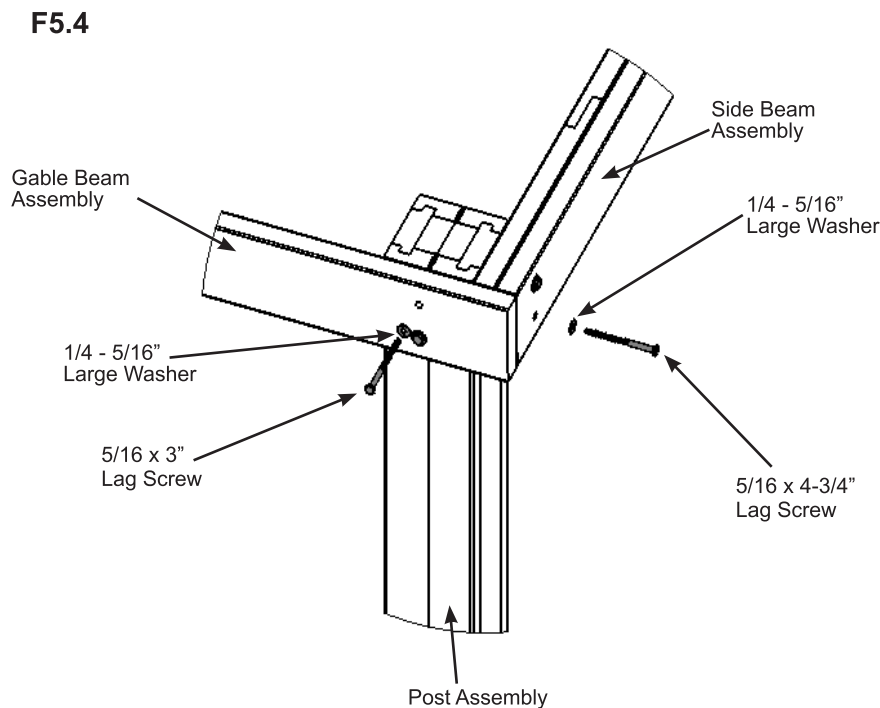
## Step 5: Frame Assembly and Anchoring Part 2



**E:** Make sure each corner is square and level then attach Side Beam Assembly to Post Assemblies with one 5/16 x 4-3/4" Lag Screw (with 1/4-5/16" large washer) per corner and Gable Beam Assembly to Post Assemblies with one 5/16 x 3" Lag Screw (with 1/4-5/16" large washer) per corner as shown below. (F5.4)

**F:** Depending on what you are placing the Pavilion on will determine how you anchor it to that surface. Please refer to pages 6 and 7 for installation examples.

**Any hardware or extra materials for mounting will have to be purchased in advance.**

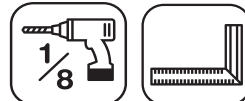


### Hardware

4 x 5/16 x 4-3/4" Lag Screw (1/4-5/16" large washer)

4 x 5/16 x 3" Lag Screw (1/4-5/16" large washer)

# Step 6: Attach Gussets



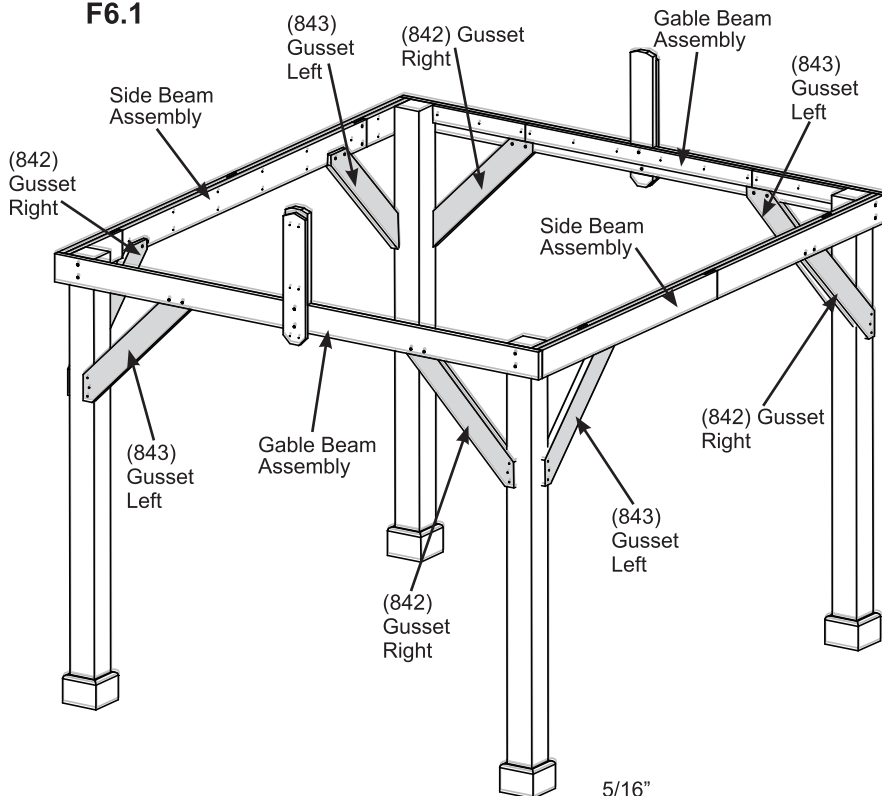
**Note:** The bevelled ends on each gusset should always face away from the wood it is attaching to.

**A:** Make sure the assembly is still square and level then facing one Side Beam Assembly place one (842) Gusset Right on the right hand side so the top fits tight to the Side Beam Assembly and the bottom fits tight to the Post Assembly. Attach gusset to Side Beam Assembly with two 5/16 x 3-1/4" Hex Bolts (with 5/16" lock washer, 1/4-5/16" large washer and 5/16" t-nut). Pre-drill with a 1/8" drill bit then attach gusset to Post Assembly with three 1/4 x 1-15/16" Lag Screws (with 1/4-5/16" large washer). Repeat for the left hand side with one (843) Gusset Left. (F6.1 and F6.2)

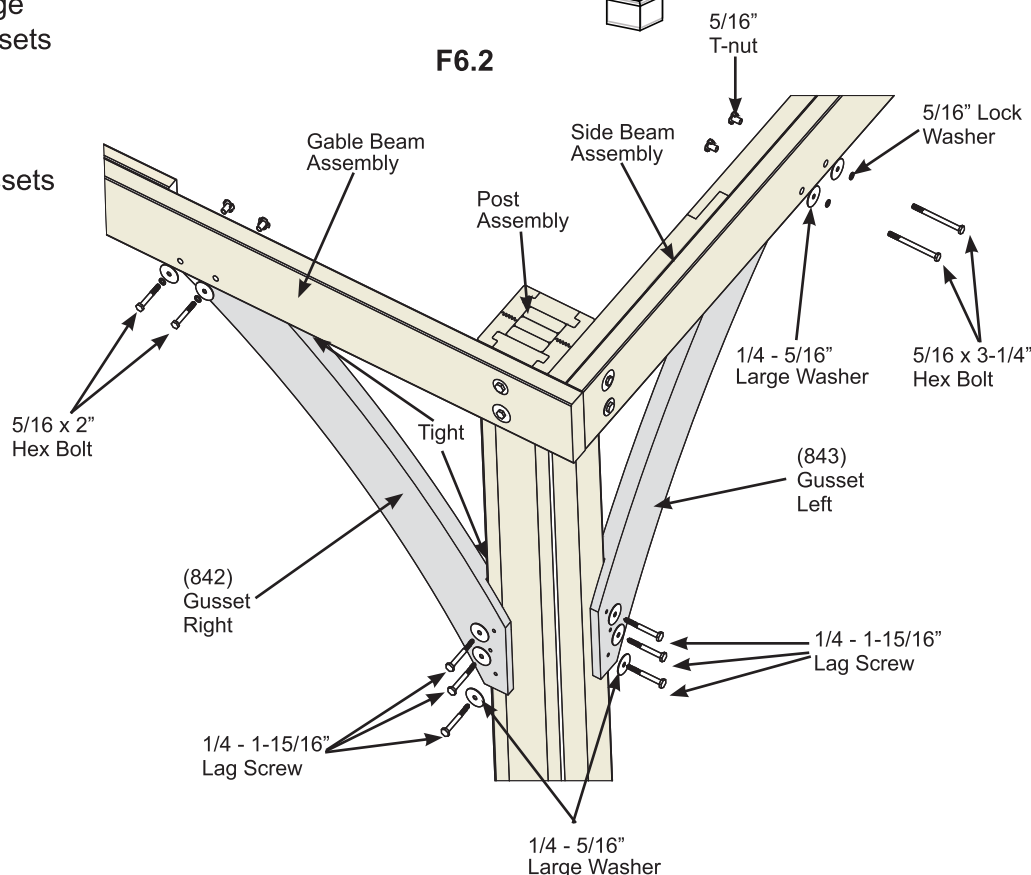
**B:** Repeat Step A for Gable Beam Assembly using two 5/16 x 2" Hex Bolts (with 5/16" lock washer, 1/4-5/16" large washer and 5/16" t-nut) to attach gussets to Gable Beam Assembly. (F6.1 and F6.2)

**C:** Repeat Steps A and B so all 8 gussets are attached. (F6.1 and F6.2)

F6.1



F6.2



### Wood Parts

- 4 x (842) Gusset Right
- 4 x (843) Gusset Left

### Hardware

- 24 x 1/4 x 1-15/16" Lag Screw (1/4-5/16" large washer)
- 8 x 5/16 x 3-1/4" Hex Bolt (5/16" lock washer, 1/4-5/16" large washer, 5/16" t-nut)
- 8 x 5/16 x 2" Hex Bolt (5/16" lock washer, 1/4-5/16" large washer, 5/16" t-nut)

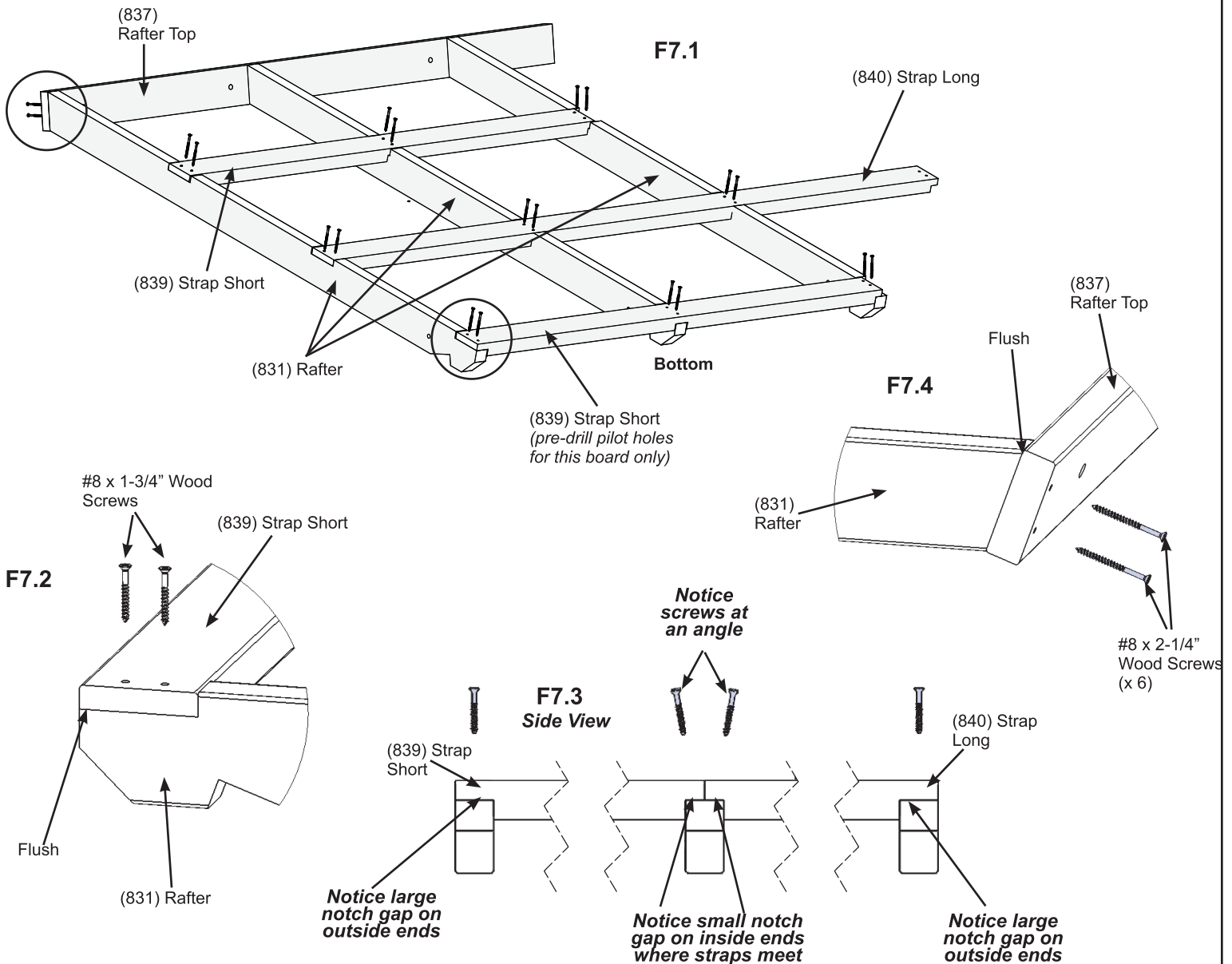
# Step 7: Roof Panel Frame Part 1



**A:** Lay out three (831) Rafters on a hard flat surface as shown in F7.1. You will need lots of room for this step.

**B:** Place 1 (839) Strap Short on the bottom of three (831) Rafters, flush to the outside edge of the first and centred on the last. Be sure the wider gap on (839) Strap Short is on the first (831) Rafter. Follow by placing one (840) Strap Long then another (839) Strap Short in the same manner. Make sure the assembly is square, pre-drill the first (839) Strap Short with a 1/8" drill bit as shown below, then attach both (839) Strap Short and (840) Strap Long with six #8 x 1-3/4" Wood Screws per board. The screws on the third (831) Rafter are inserted at an angle. (F7.1, F7.2 and F7.3)

**C:** Place one (837) Rafter Top on the angled ends of the (831) Rafters so the outside edges are flush then attach to (831) Rafters with six #8 x 2-1/4" Wood Screws. (F7.1 and F7.4)



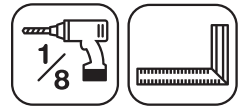
### Wood Parts

- 12 x (831) Rafter
- 4 x (839) Strap Short
- 2 x (840) Strap Long
- 2 x (837) Rafter Top

### Hardware

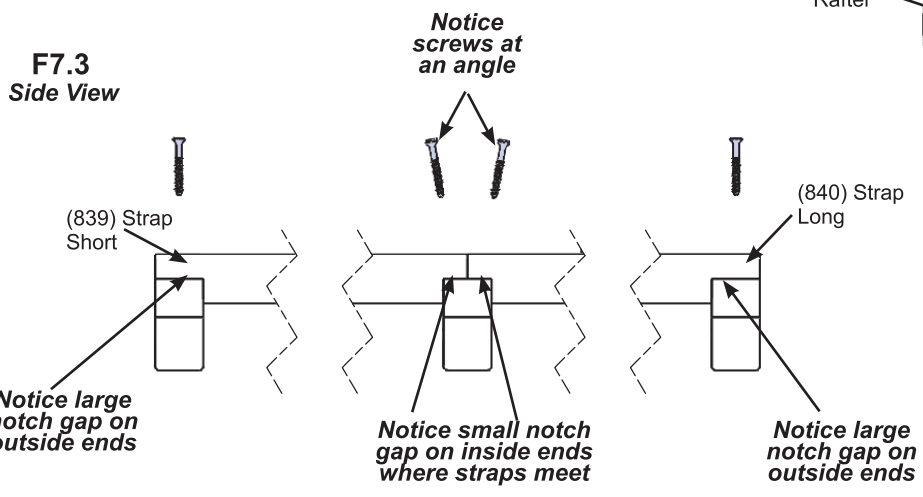
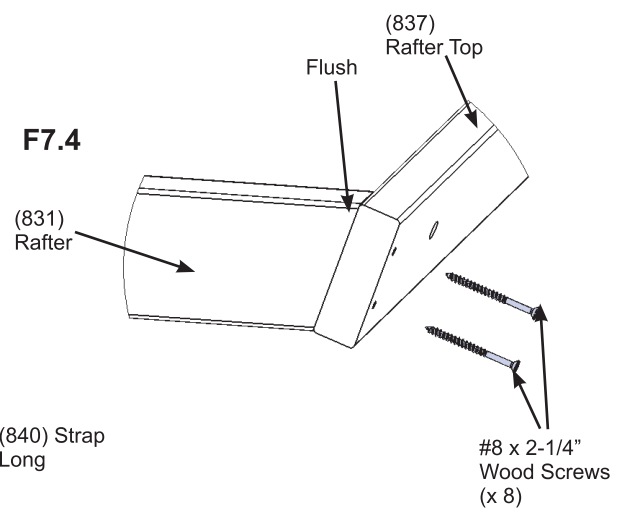
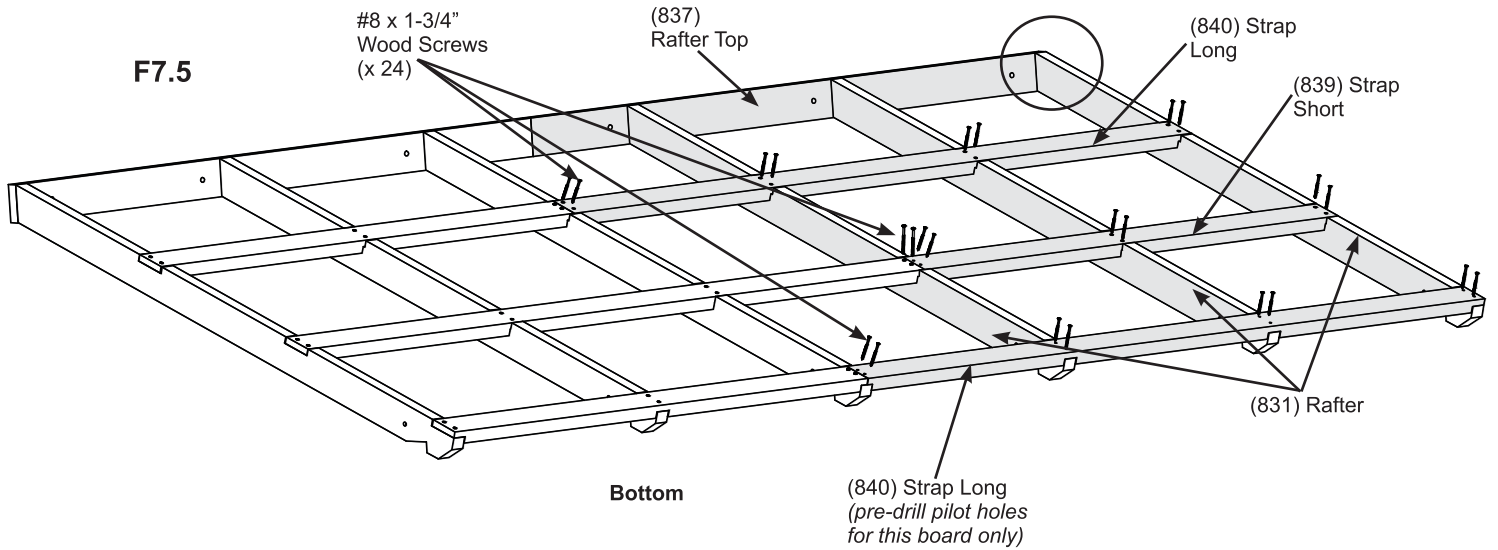
- 36 x #8 x 1-3/4" Wood Screw
- 12 x #8 x 2-1/4" Wood Screw

# Step 7: Roof Panel Frame Part 2



**D:** Lay out three more (831) Rafters beside the first three, then tight to each (839) Strap Short place one (840) Strap Long and tight to the first (840) Strap Long place one (839) Strap Short. Make sure the wider gap on each strap is on the outside. Make sure the assembly is square, pre-drill the first (840) Strap Long with a 1/8" drill bit, as shown below, then attach (840) Strap Longs and (839) Strap Short with 24 #8 x 1-3/4" Wood Screws. The screws where the straps meet are inserted at an angle. (F7.3 and F7.5)

**E:** Tight to the first (837) Rafter Top attach a second (837) Rafter Top with six #8 x 2-1/4" Wood Screws. (F7.4 and F7.5)



### Wood Parts

- 2 x (839) Strap Short
- 4 x (840) Strap Long
- 2 x (837) Rafter Top

### Hardware

- 48 x #8 x 1-3/4" Wood Screw
- 12 x #8 x 2-1/4" Wood Screw

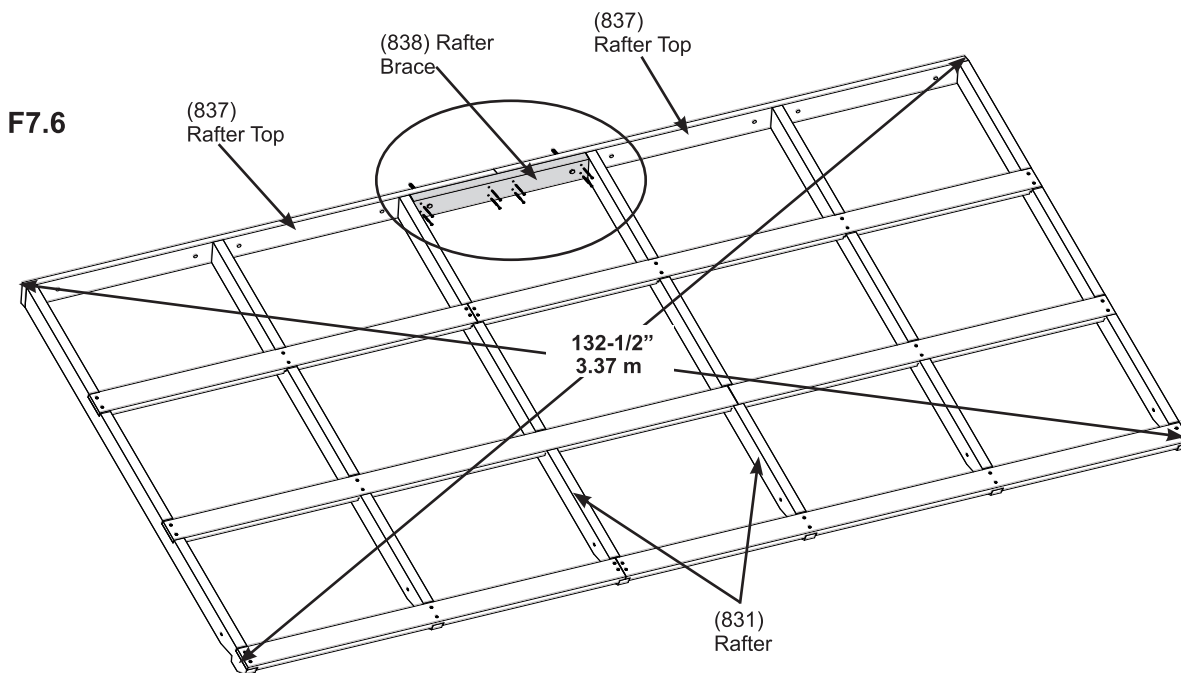
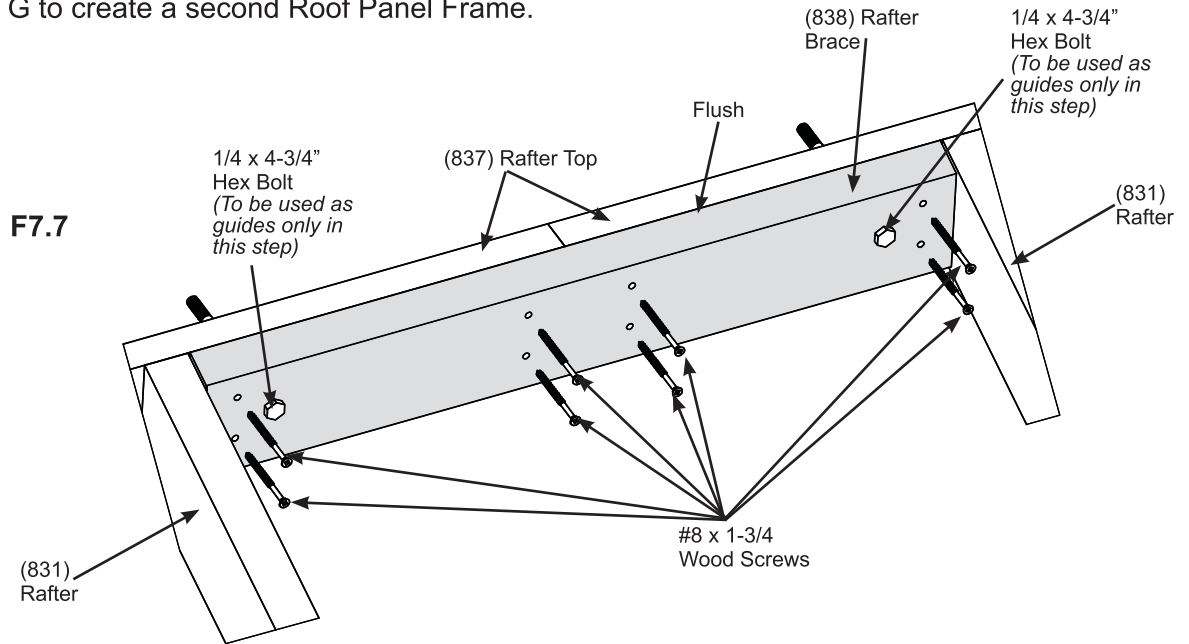
# Step 7: Roof Panel Frame Part 3



**F:** Make sure frame is square. Measurements to be as shown in F7.6.

**G:** In the centre middle gap between (831) Rafters place one (838) Rafter Brace flush to the top of each (837) Rafter Top. Use two 1/4 x 4-3/4" Hex Bolts as a guide to line up the bolt holes. Attach (838) Rafter Braces to (837) Rafter Tops with eight #8 x 1-3/4" Wood Screws. Remove each Hex Bolt as they will be used in a later step and not installed here. (F7.6 and F7.7)

**H:** Repeat Steps A - G to create a second Roof Panel Frame.

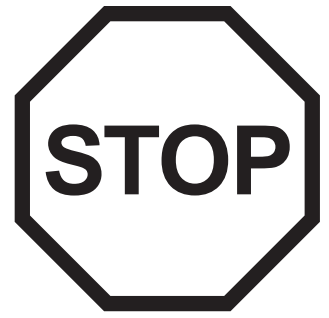
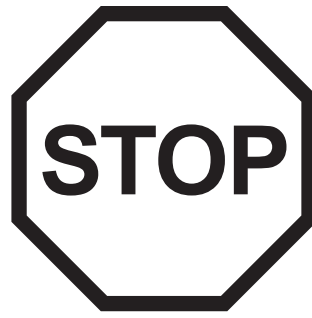
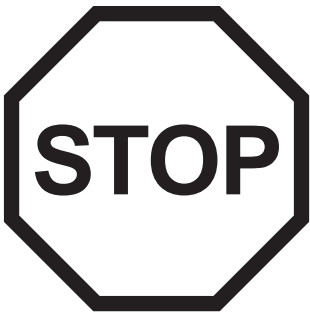


### Wood Parts

2 x (838) Rafter Brace

### Hardware

16 x #8 x 1-3/4" Wood Screw



# INSTALLING ROOFING MATERIAL

---

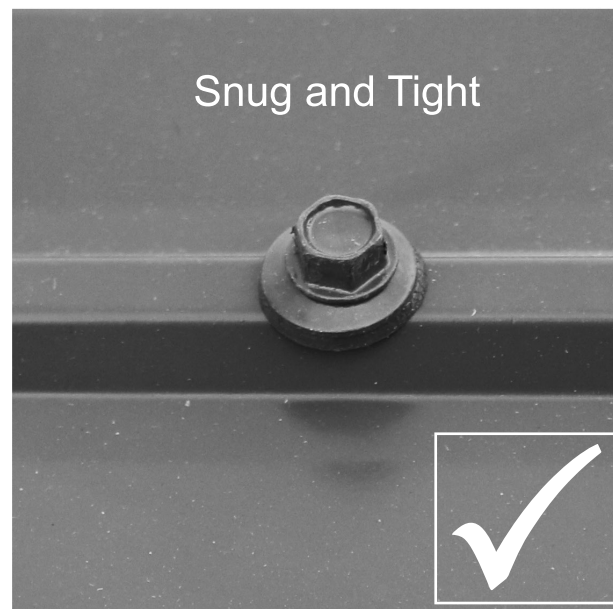
## CAUTION!

Roofing material may have sharp edges! Wear gloves!

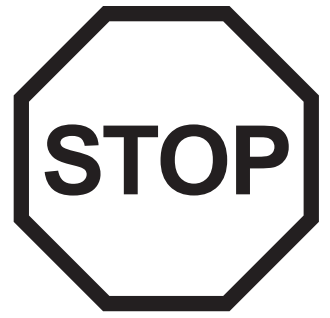
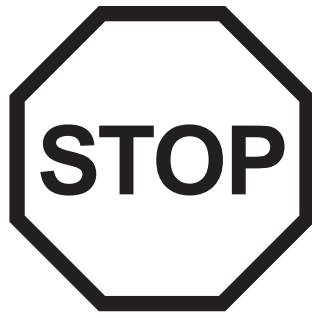
## HANDLE WITH CARE!

Place roofing material on a non-abrasive surface before assembly as it can bend, dent and scratch easily.

**WARNING – DO NOT OVER TIGHTEN ROOFING SCREWS!  
Over tightening screws will cause roofing material to crush.**



The roofing screws can easily crush the Roof Panels and Roof Edges when using a power drill. We recommend hand tightening the roofing screws so that they sit snug and tight to the roofing material.



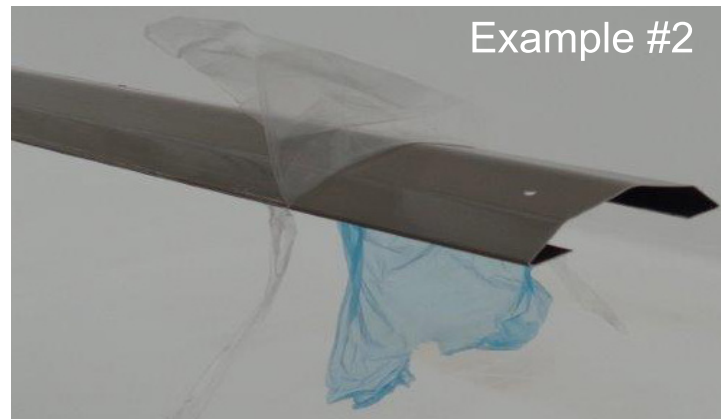
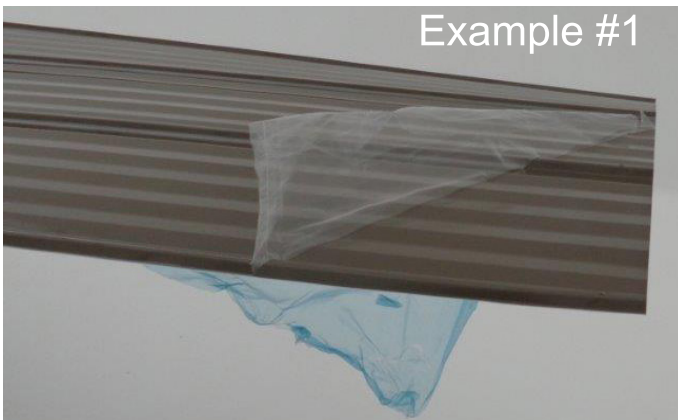
# INSTALLING ROOFING MATERIAL

---

## CAUTION!

Roofing material may have sharp edges! Wear gloves!

**BE SURE TO REMOVE ALL PLASTIC COVERING, ON BOTH SIDES OF THE ALUMINUM PANELS AND TRIM, DIRECTLY BEFORE INSTALLING EACH PIECE. *(One side is clear and the other is blue, both must be removed.)***





# Step 8: Attach Roof Panels Part 1



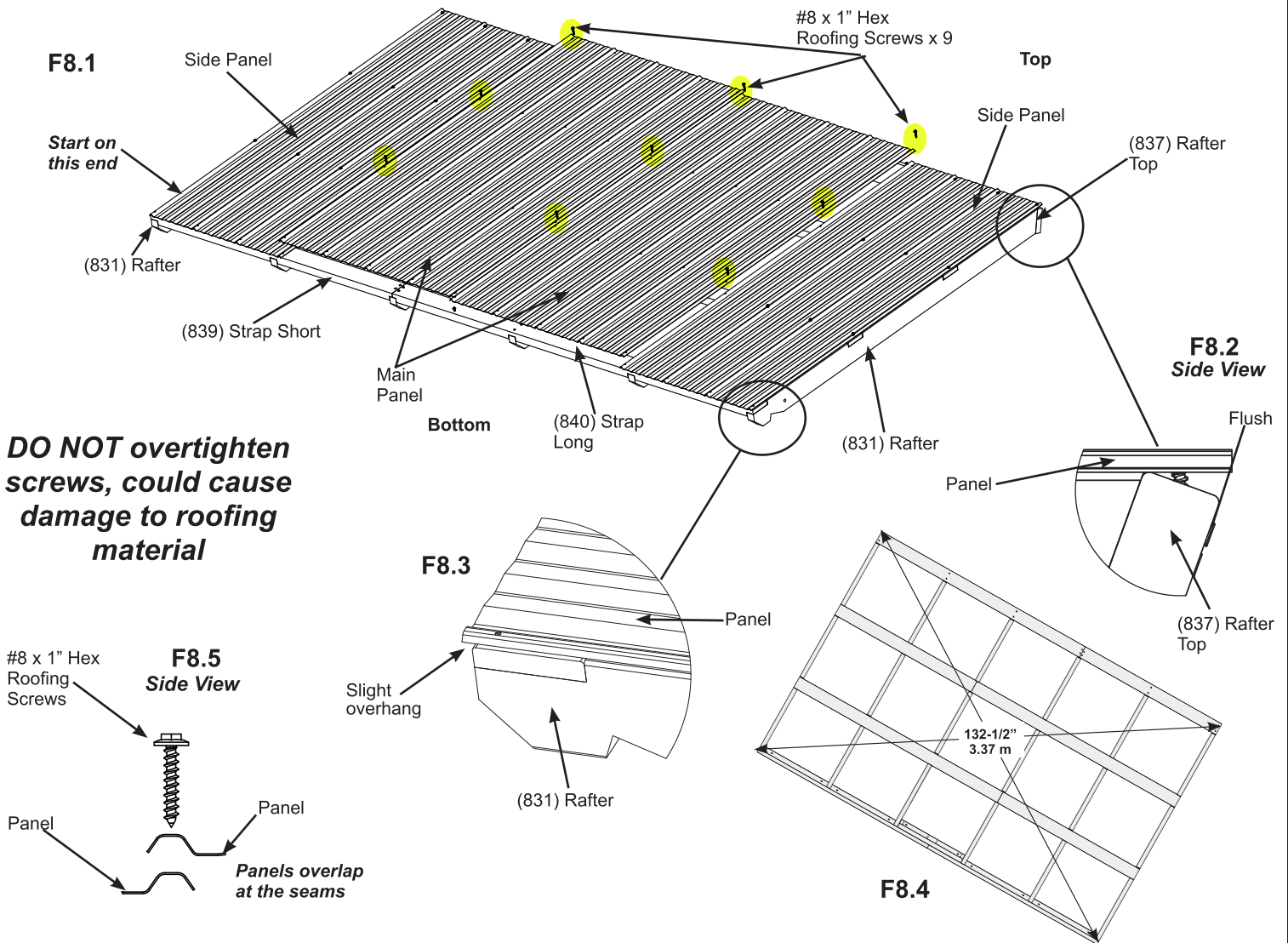
**Note:** Be sure to remove all plastic covering on both sides of the metal panels directly before installing each piece.

**A:** Make sure panel is still square then on one Roof Panel Frame place one Side Panel flush to the top and sides of the outside (831) Rafter on the side shown below. Panels should be flush to the top of the (837) Rafter Top. There will be a slight overhang at the bottom. There are no holes on the ribs at the top of the panel. (F8.1, F8.2, F8.3 and F8.4)

**B:** Place two more Main Panels beside the first then lastly one Side Panel so the panels overlap and screw holes line up as shown below. (F8.1 and F8.5)

**C:** Attach all four Panels to Roof Panel Frame using nine #8 x 1" Hex Roofing Screws in locations shown in F8.1. Do not install screws to the bottom (839) Strap Short and (840) Strap Long. Be sure not to overtighten screws.

**D:** Repeat Steps A - C for the second Roof Panel Frame.



### Roof Panel Set:

- 4 x Main Panel
- 4 x Side Panel

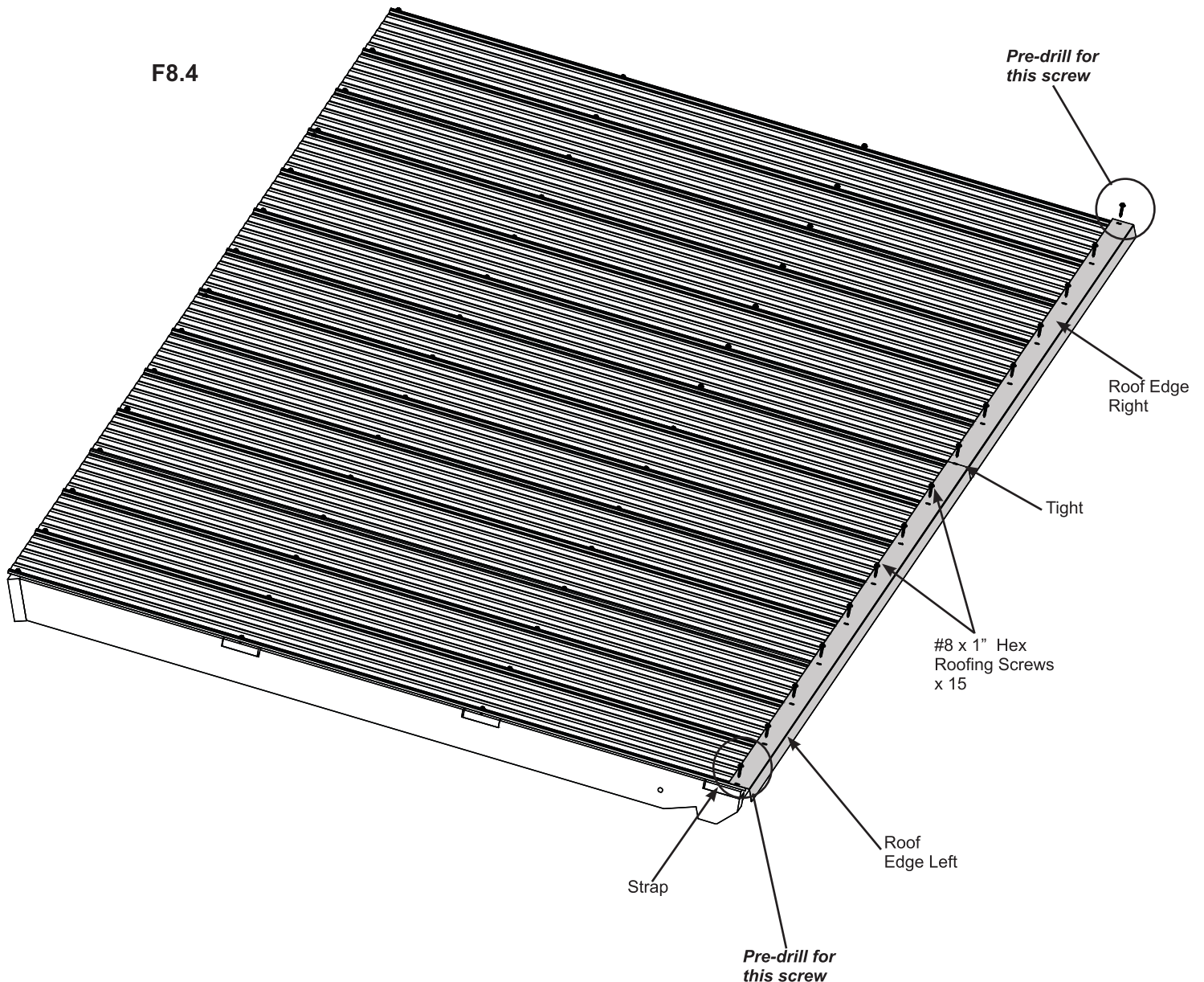
### Hardware

- 18 x #8 x 1" Hex Roofing Screw

# Step 8: Attach Roof Panels Part 2



**E:** Place one Roof Edge Left and one Roof Edge Right on the bottom of one Roof Panel Frame so they meet tight and the ends are flush with the outside ends of (839) Strap Short and (840) Strap Long. Pre-drill the end holes on both Roof Edge Right and Roof Edge Left with a 1/8" drill bit then attach both Roof Edges with 15 #8 x 1" Hex Roofing Screws. (F8.4)



### Components

2 x Roof Edge Left  
2 x Roof Edge Right

### Hardware

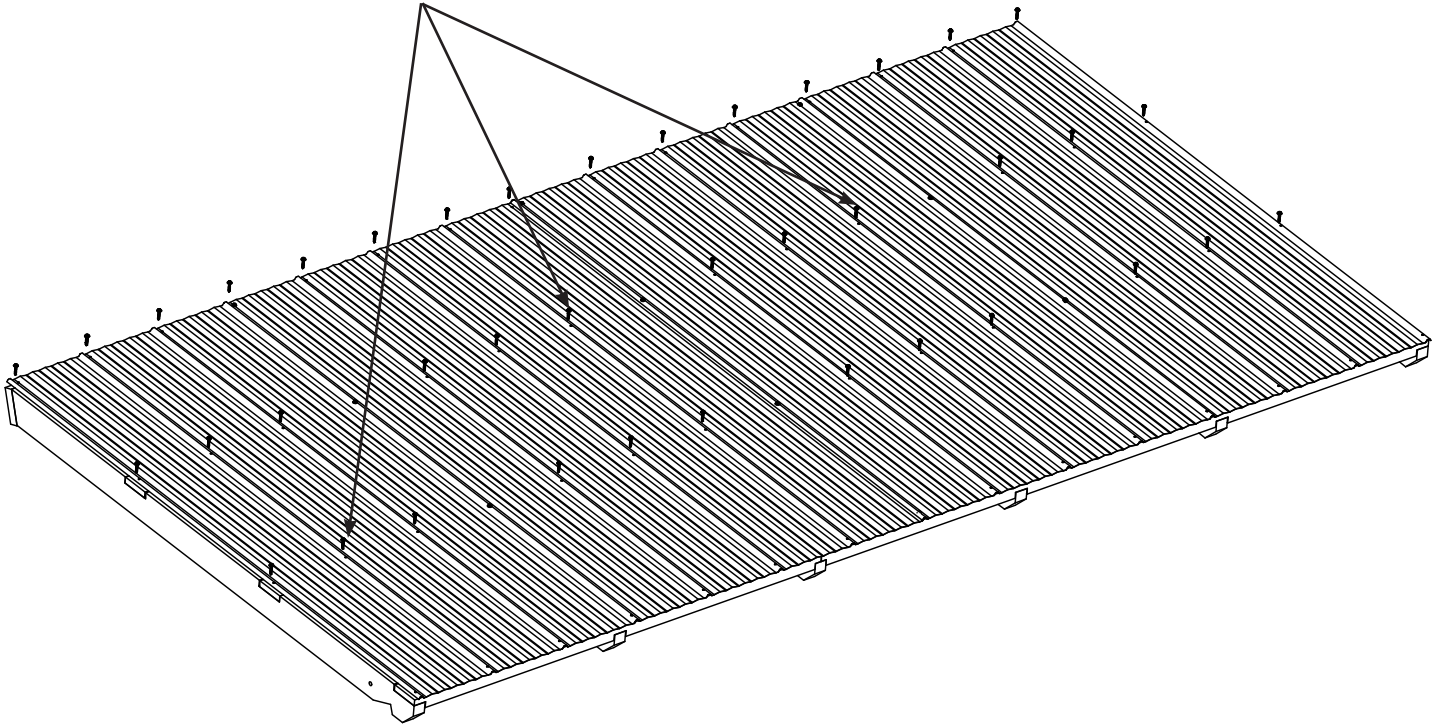
30 x #8 x 1" Hex Roofing Screw

## Step 8: Attach Roof Panels Part 3

F: Attach the Main Panels and Side Panels to Roof Panel Frame using 39 #8 x 1" Hex Roofing Screws as shown in F8.5. Be sure not to overtighten screws.

F8.5

#8 x 1" Hex Roofing Screws  
(39 per Panel Frame)



### Hardware

78 x #8 x 1" Hex Roofing Screw

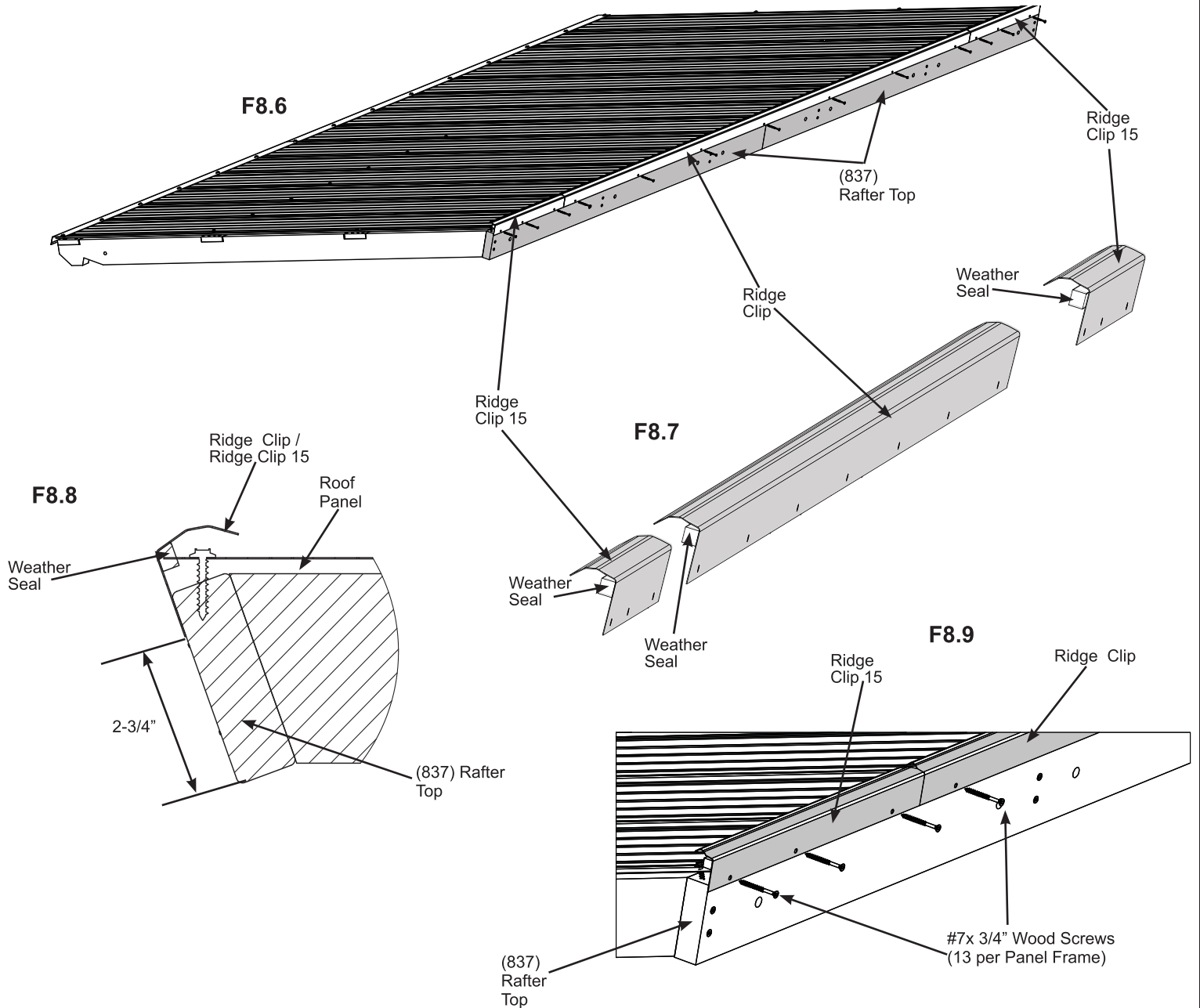
# Step 8: Attach Roof Panels Part 4



**G:** Place Weather Seal on the inside of two Ridge Clip 15 then place one Ridge Clip 15 flush to each side of Roof Panel Frame and 2-3/4" up from the bottom of (837) Rafter Top, make sure not to compress Weather Seal. Attach with three #7 x 3/4" Wood Screws per Ridge Clip 15. Ridge Clip 15s must cover the Roof Panels. (F8.6, F8.7, F8.8 and F8.9)

**H:** Place Weather Seal on the inside of one Ridge Clip then place Ridge Clip in between both Ridge Clip 15s, 2-3/4" up from the bottom of (837) Rafter Top. Ridge Clip must cover the Roof Panels. Do not compress Weather Seal. Attach with seven #7 x 3/4" Wood Screws. (F8.6, F8.7, F8.8 and F8.9)

**I:** Repeat Steps E - H for the second Roof Panel Frame.



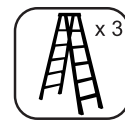
### Components

2 x Ridge Clip  
4 x Ridge Clip 15  
6 x Weather Seal

### Hardware

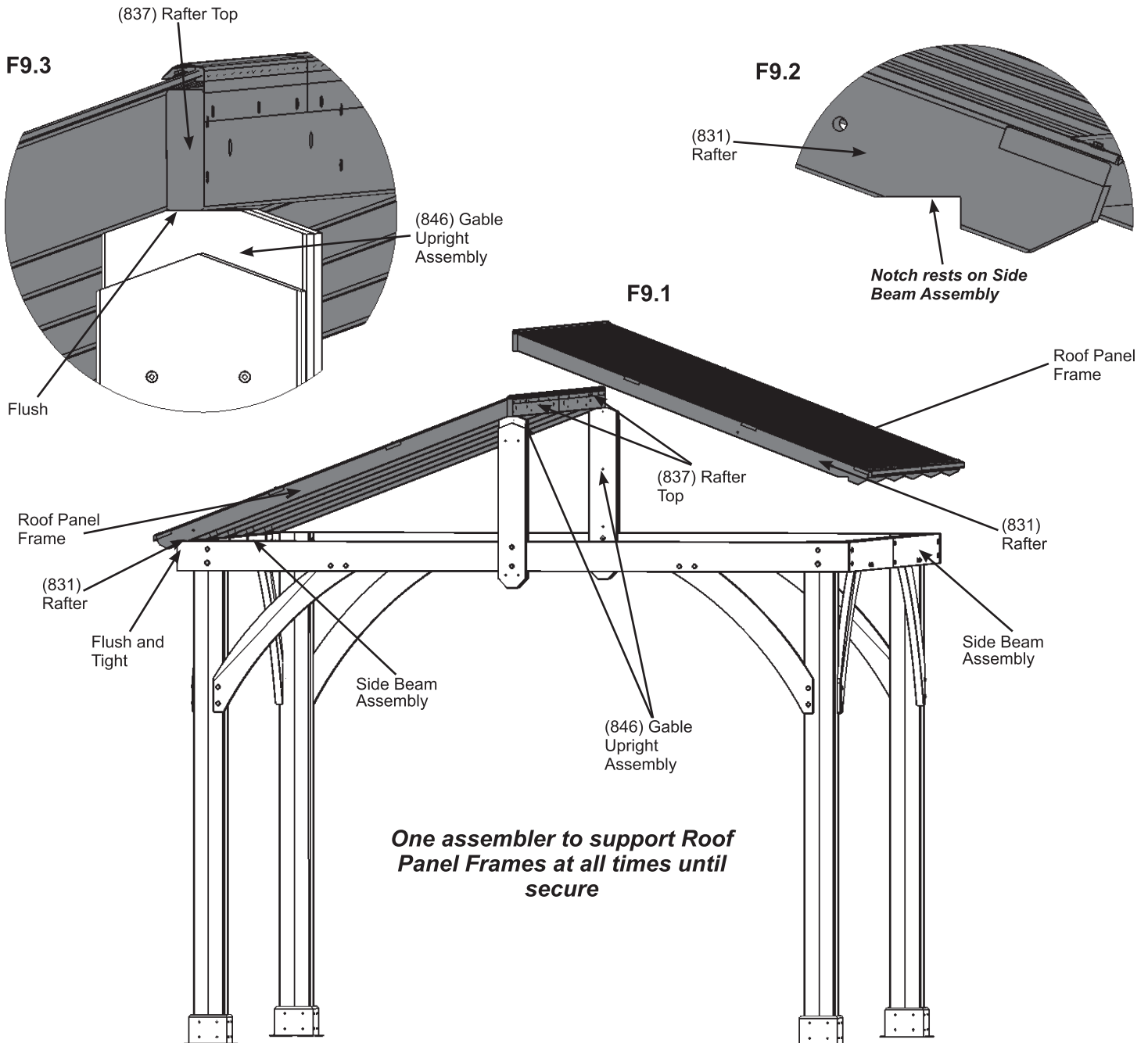
26 x #7 x 3/4" Wood Screw

# Step 9: Attach Roof Panels to Frame Part 1

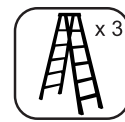


**A:** With four assemblers lift one Roof Panel Frame up and over Post and Beam Frame Assembly so the notches in (831) Rafters rest on Side Beam Assembly and (837) Rafter Tops are flush to the outside of each (846) Gable Upright Assembly. **One assembler must remain on a ladder to hold Roof Panel Frame in place until secured.** (F9.1, F9.2 and F9.3)

**B:** Lift the second Roof Panel Frame so the notches in (831) Rafters rest on Side Beam Assembly and (837) Rafter Tops are flush to the outside of each (846) Gable Upright Assembly and is tight to the first Roof Panel Frame. (F9.1, F9.2 and F9.3)

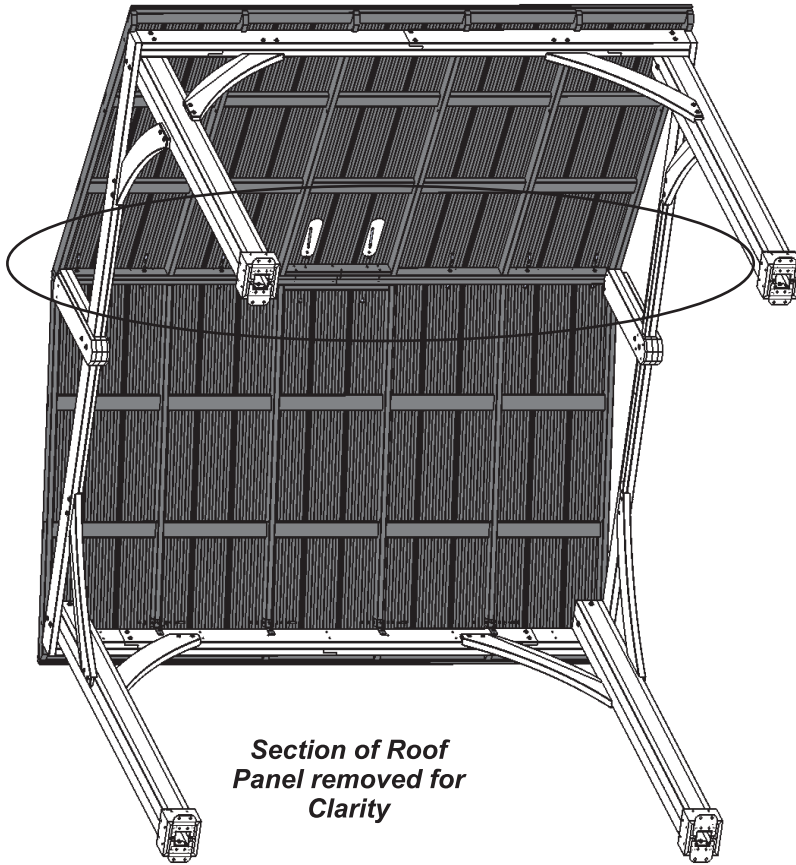


# Step 9: Attach Roof Panels to Frame Part 2



**C:** From inside the assembly attach the two Roof Panel Frames together through (838) Rafter Brace with two 1/4 x 4-3/4" Hex Bolts (with two 1/4-5/16" large washer and one 1/4" lock nut) and through (837) Rafter Tops with eight 1/4 x 2-3/4" Hex Bolt (with two 1/4-5/16" large washer and one 1/4" lock nut). (F9.4, F9.5, F9.6 and F9.7)

**F9.4**



*Section of Roof Panel removed for Clarity*

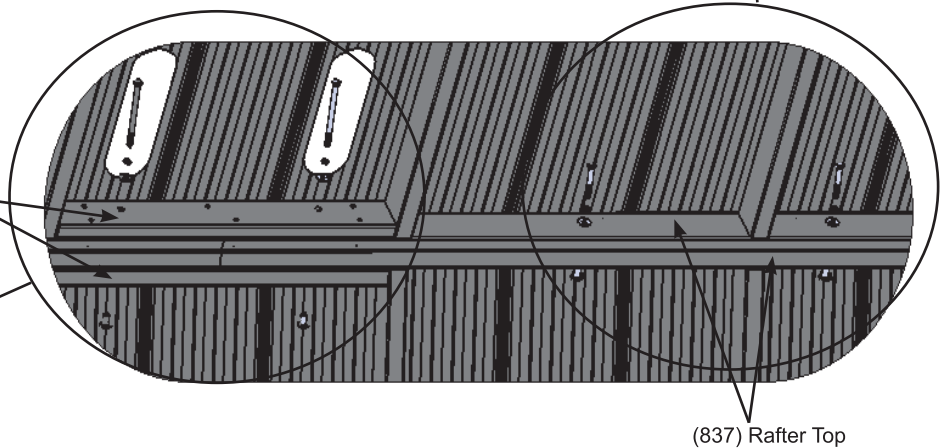
**F9.7**  
1/4 x 2-3/4" Hex Bolt

1/4 - 5/16" Large Washer

1/4" Lock Nut

(837) Rafter Top

**Fig. 9.5**



(837) Rafter Top

**F9.6**  
1/4" Lock Nut

1/4 - 5/16" Large Washer

(838) Rafter Brace

1/4 x 4-3/4" Hex Bolt

### Hardware

2 x 1/4 x 4-3/4" Hex Bolt  
(1/4-5/16" large washer x 2, 1/4" lock nut)

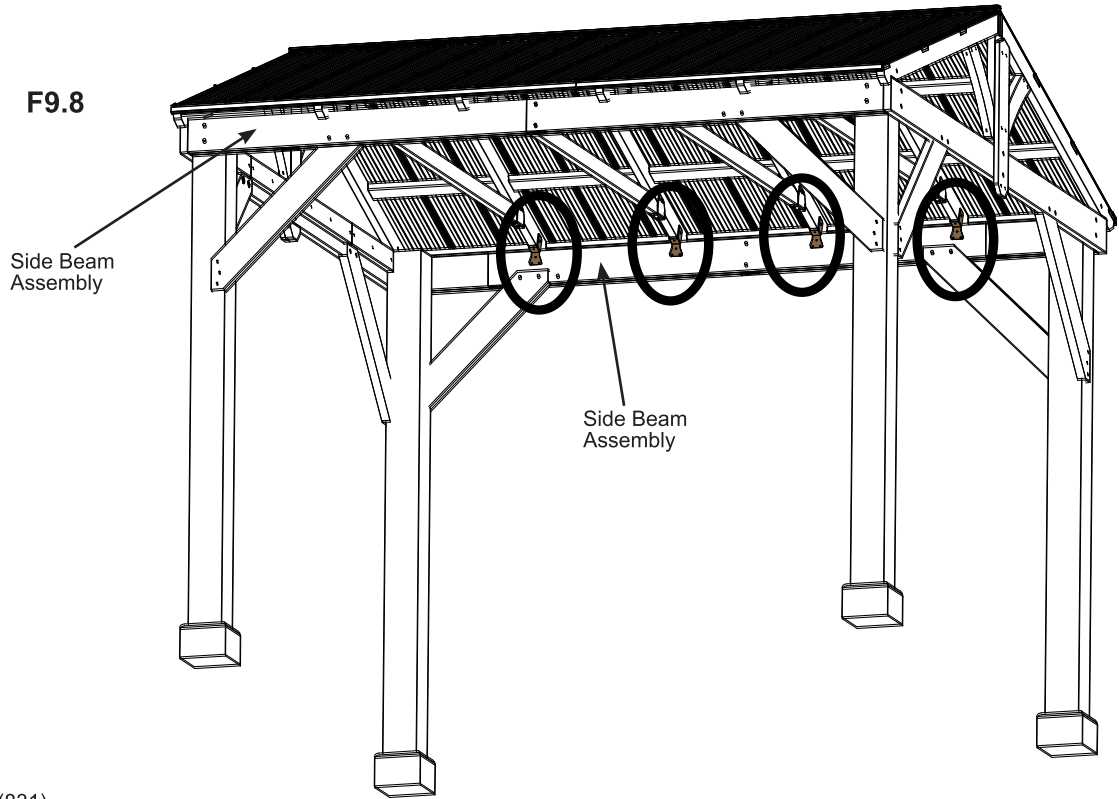
8 x 1/4 x 2-3/4" Hex Bolt  
(1/4-5/16" large washer x 2, 1/4" lock nut)

# Step 9: Attach Roof Panels to Frame Part 3

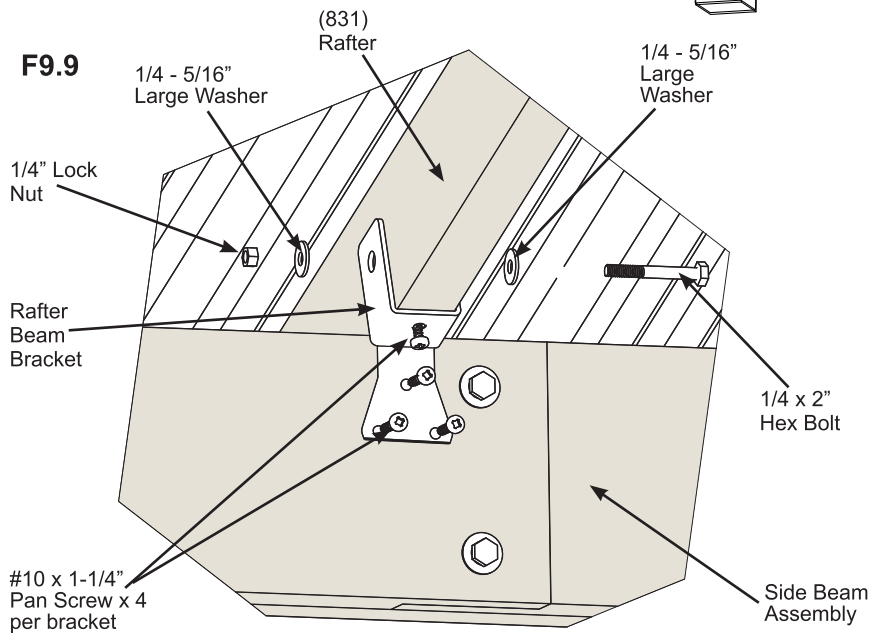


**D:** Loosely attach each of the centre (831) Rafters to the inside of each Side Beam Assembly with one Rafter Beam Bracket per (831) Rafter using one 1/4 x 2" Hex Bolt (with two 1/4-5/16" large washer and one 1/4" lock nut) per bracket. Push up on the centre of the Roof Panels so the notches in (831) Rafters are tight to the Side Beam Assembly then attach four #10 x 1-1/4" Pan Screws per bracket. Once screws are installed tighten bolts. (F9.8, F9.9 and F9.10)

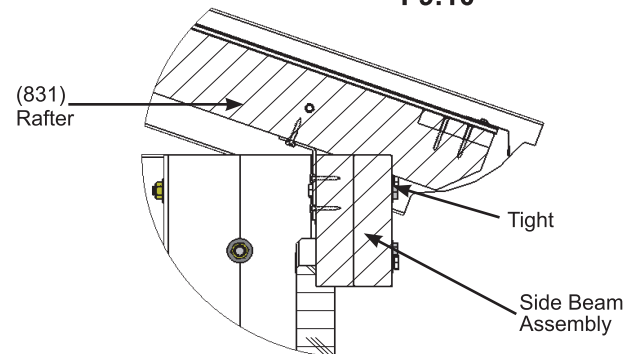
**F9.8**



**F9.9**



**F9.10**



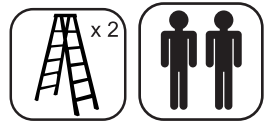
### Components

8 x Rafter Beam Bracket

### Hardware

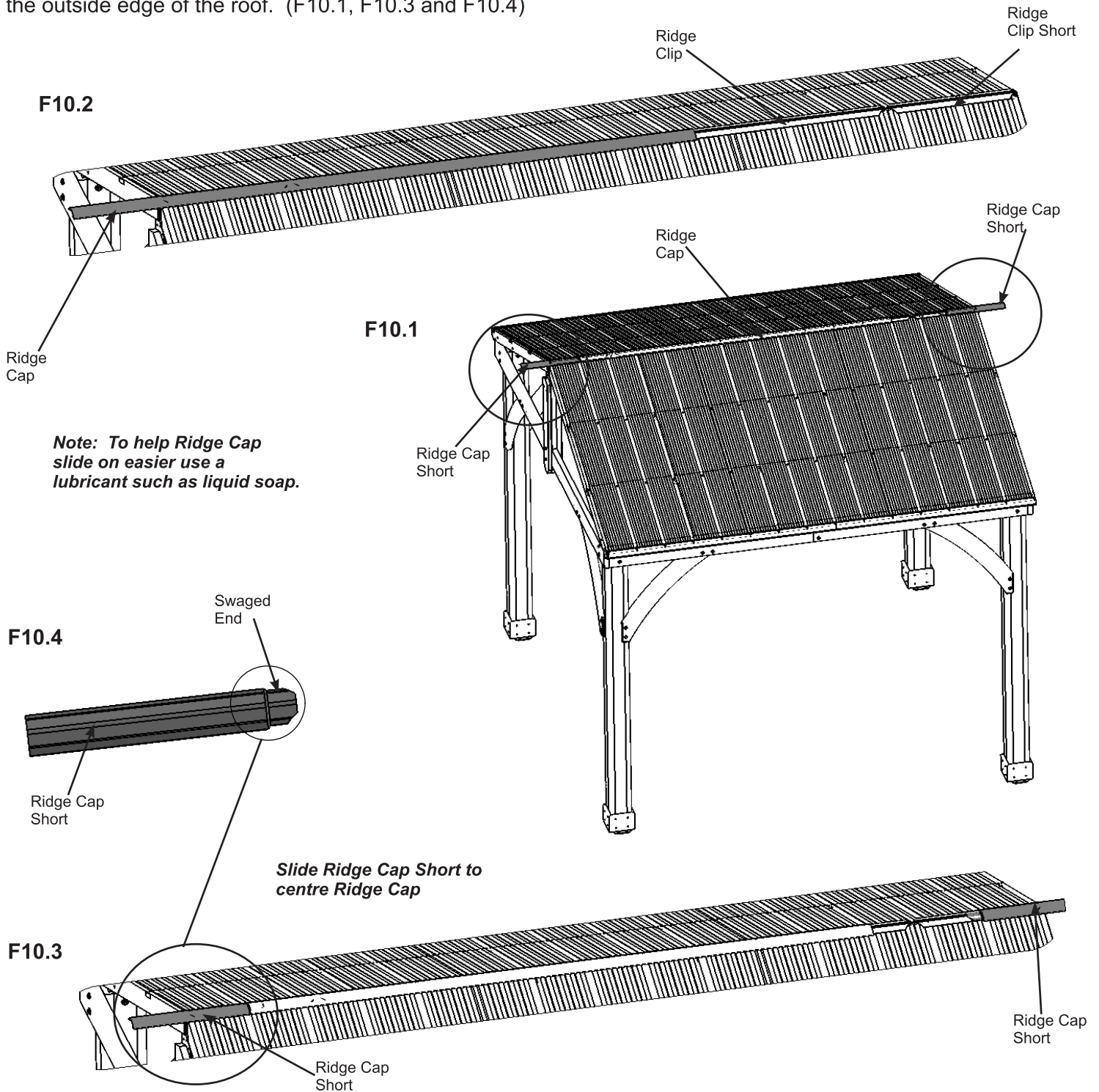
8 x 1/4 x 2" Hex Bolt (1/4-5/16" large washer x 2, 1/4" lock nut)  
32 x #10 x 1-1/4" Pan Screw

# Step 10: Attach Ridge Caps Part 1



**A:** Slide Ridge Cap over the Ridge Clips towards the centre of the roof. (F10.1 and F10.2)

**B:** With the swaged end facing in slide one Ridge Cap Short at each end of the roof over the Ridge Clips. Use the swaged end to help push the Ridge Cap to the centre of the roof. Each Ridge Cap Short should be flush to the outside edge of the roof. (F10.1, F10.3 and F10.4)

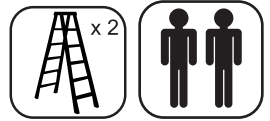


### Components:

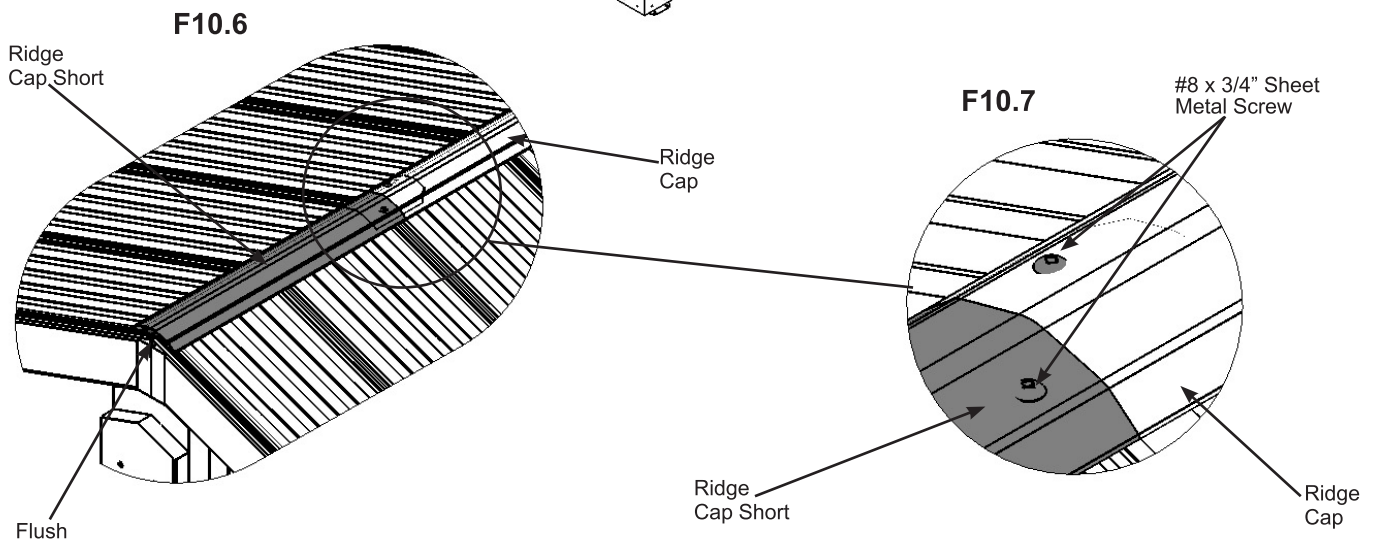
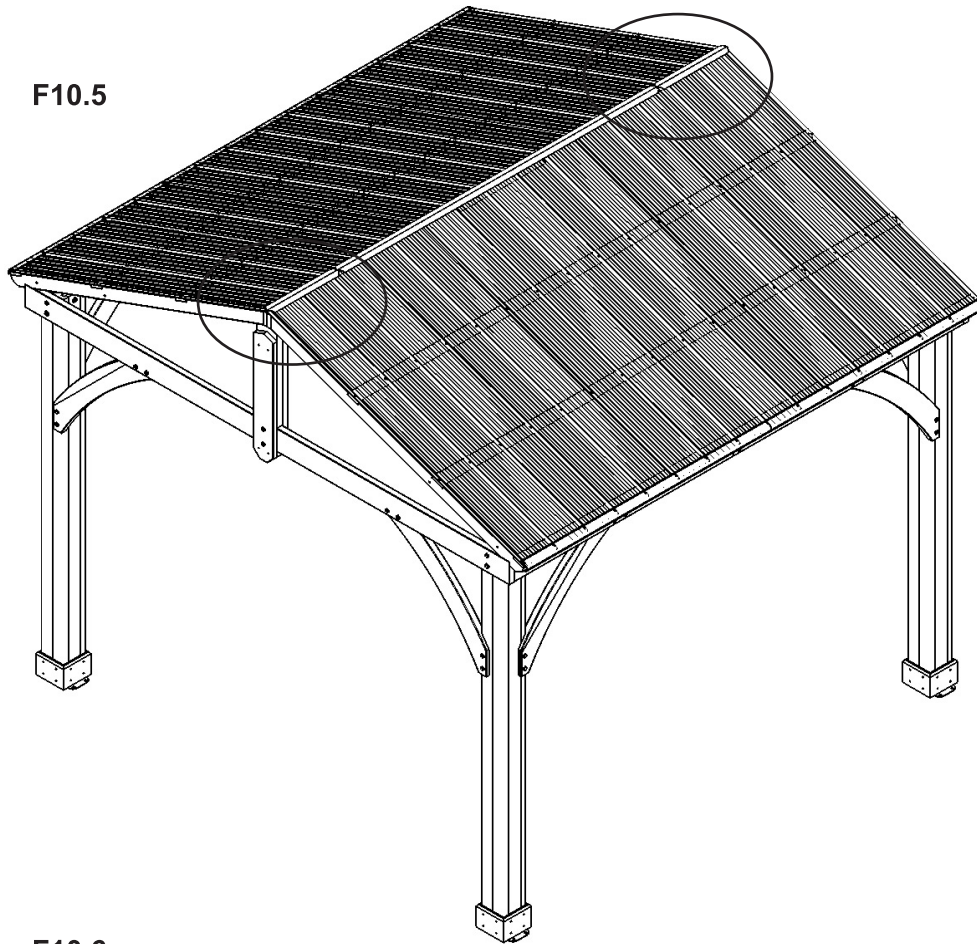
- 1 x Ridge Cap
- 2 x Ridge Cap Short



# Step 10: Attach Ridge Caps Part 2



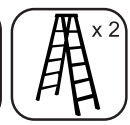
**C:** Make sure the Ridge Cap Shorts are flush to the outside edge of the roof then attach each end of the Ridge Cap to each Ridge Cap Short with two #8 x 3/4" Sheet Metal Screws per side. (F10.5, F10.6 and F10.7)



## Hardware

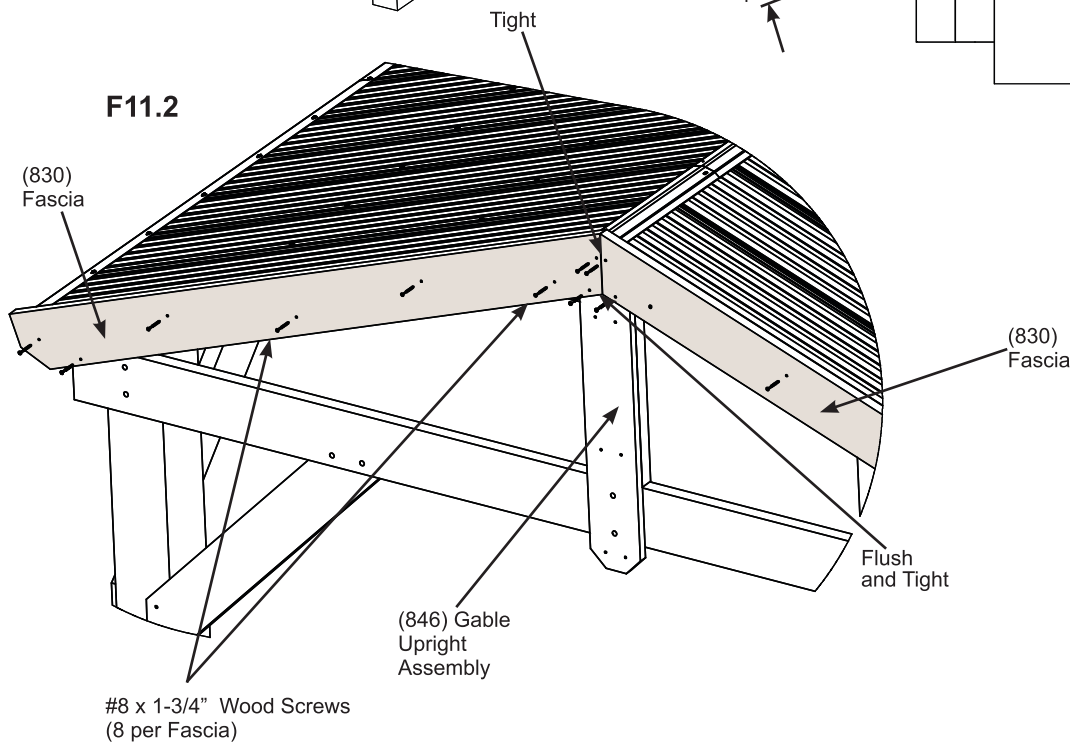
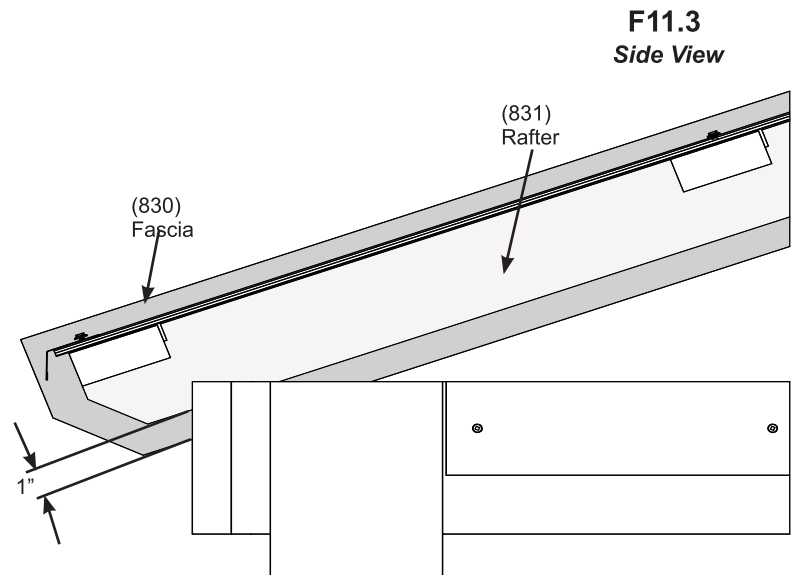
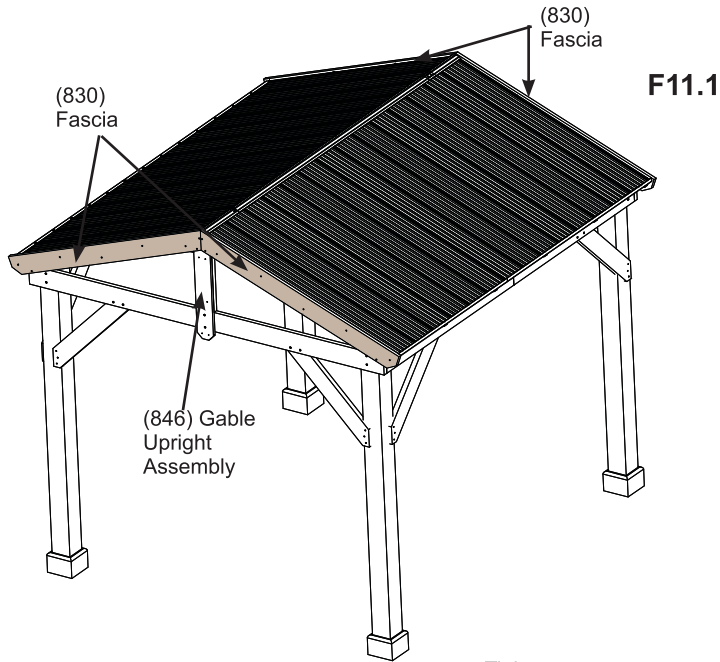
4 x #8 x 3/4" Sheet Metal Screw

# Step 11: Attach Gable Ends



**A:** On one side of the assembly place two (830) Fascia against the outside (831) Rafters so the peaks meet in the centre and they are tight and flush to the top and edge of (846) Gable Upright Assembly. Bottom of (830) Fascia to bottom of (831) Rafter should measure 1" all along each (830) Fascia. Attach with eight #8 x 1-3/4" Wood Screws per (830) Fascia. (F11.1, F11.2 and F11.3)

**B:** Repeat for the other side of the assembly.



## Wood Parts

4 x (830) Fascia

## Hardware

32 x #8 x 1-3/4" Wood Screw

## Step 12: Attach Gable Gussets

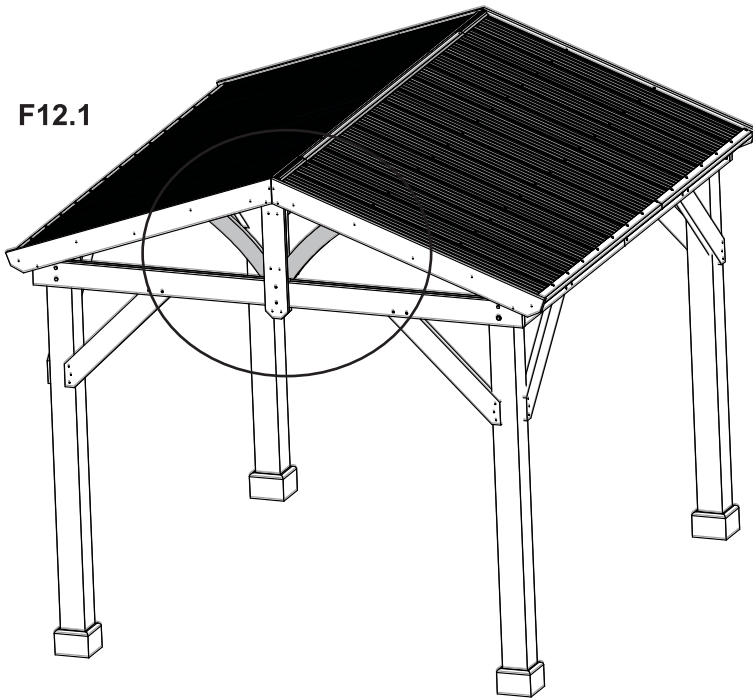


**A:** From inside the assembly place one (847) Gable Gusset tight to each side of (846) Gable Upright Assembly so it is resting on (830) Fascia, tight and flush to (831) Rafter. (F12.1 and F12.2)

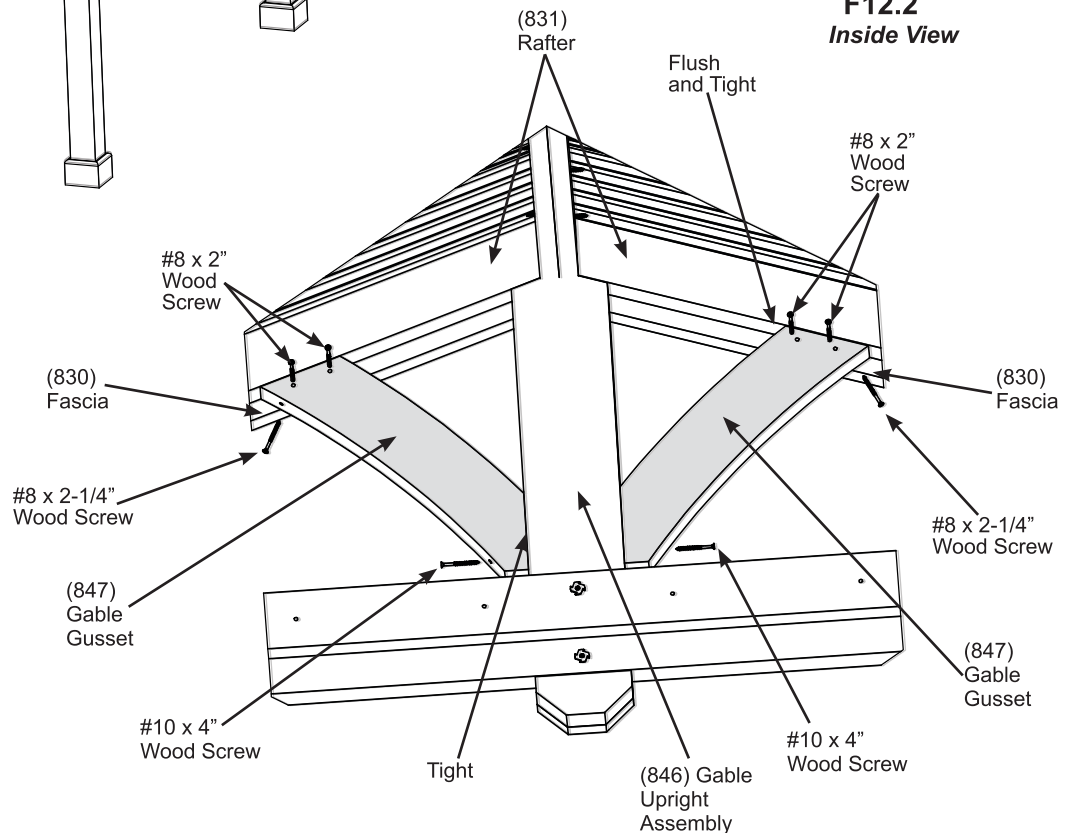
**B:** Attach each (847) Gable Gusset to (830) Fascia with two #8 x 2" Wood Screws per gusset and to (846) Gable Upright Assembly with one #10 x 4" Wood Screw per gusset. (F12.1 and F12.2)

**C:** Attach each (847) Gable Gusset to (831) Rafter with one #8 x 2-1/4" Wood Screw per gusset from the edge of the gusset into the rafter. (F12.1 and F12.2)

F12.1



F12.2  
Inside View



### Wood Parts

4 x (847) Gable Gusset

### Hardware

8 x #8 x 2" Wood Screw

4 x #8 x 2-1/4" Wood Screw

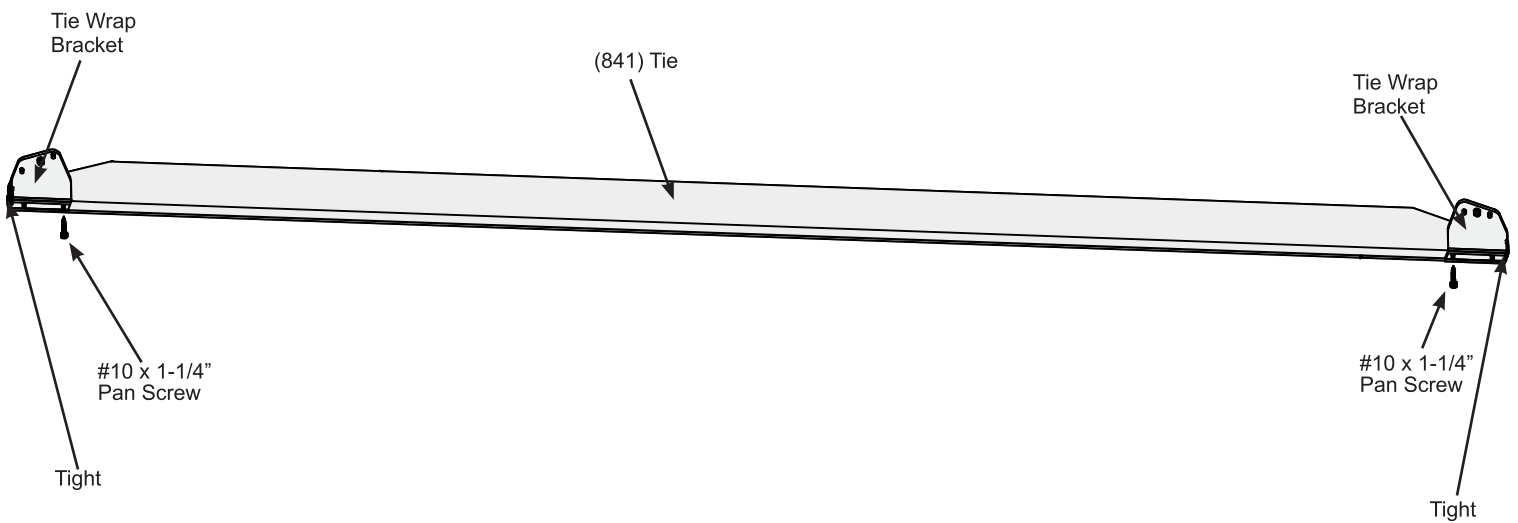
4 x #10 x 4" Wood Screw

# Step 13: Truss Assemblies

## Part 1

**A:** Attach one Tie Wrap Bracket to each end of one (841) Tie with one #10 x 1-1/4" Pan Screw per bracket using the inside holes. (841) Tie is tight to end of bracket. Repeat to complete 3 more times. (F13.1)

**F13.1**



**Wood Parts**

4 x (841) Tie

**Components:**

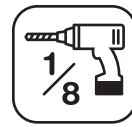
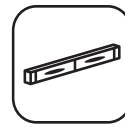
8 x Tie Wrap Bracket

**Hardware**

8 x #10 x 1-1/4" Pan Screw

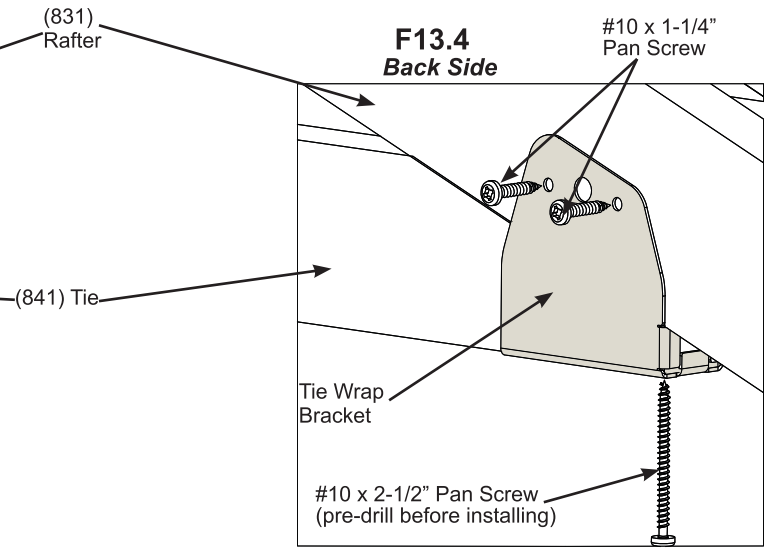
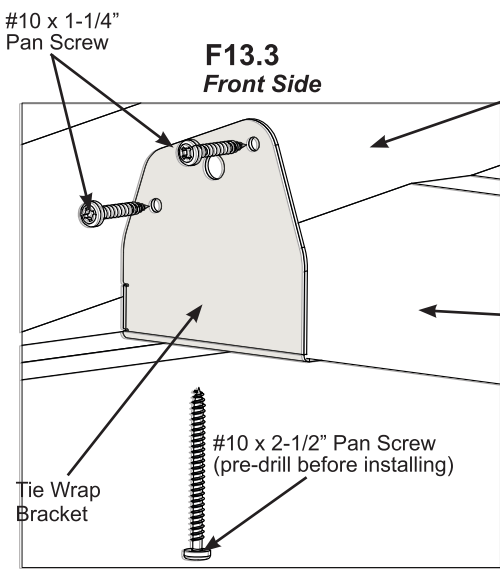
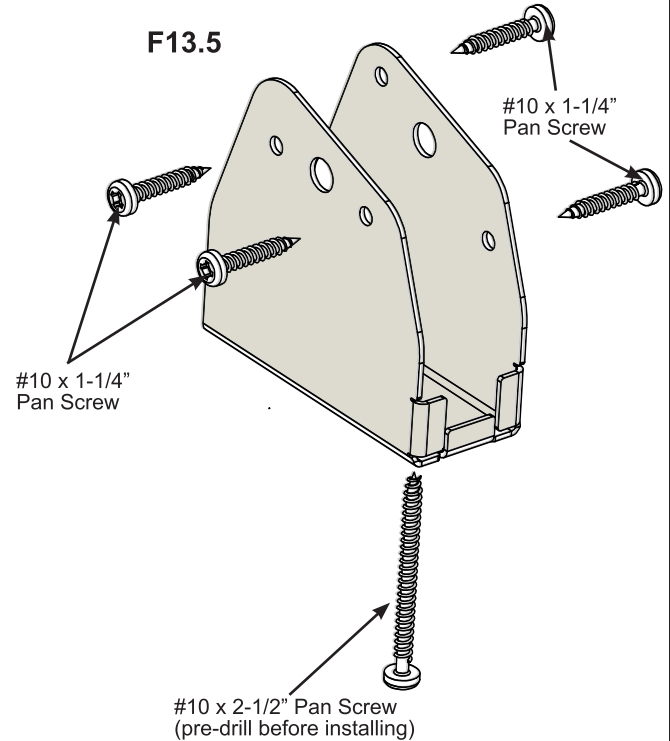
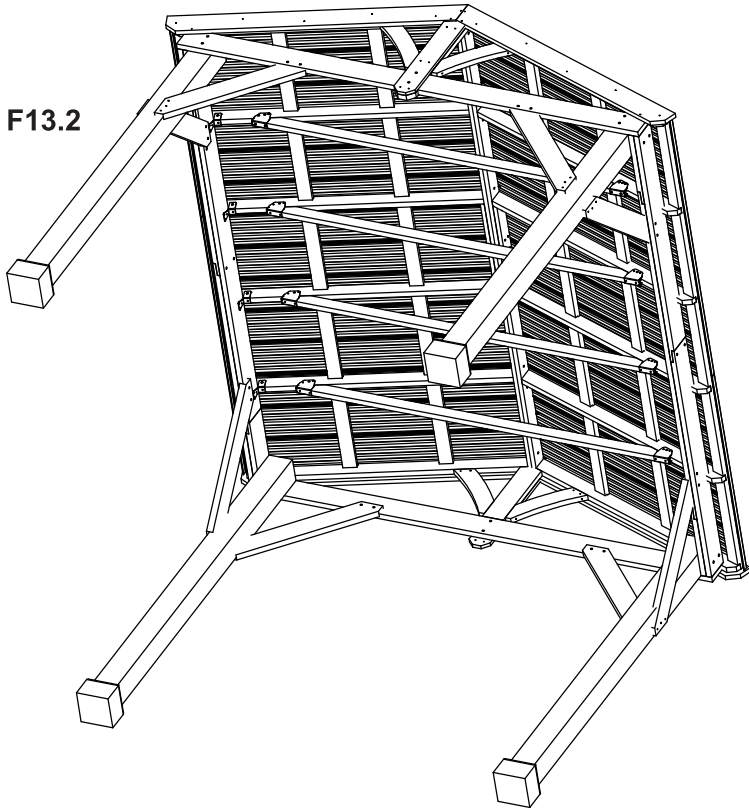
# Step 13: Truss Assemblies

## Part 2



**B:** With a helper place (841) Ties with brackets tight against (831) Rafters. Make sure (841) Ties are level then attach Tie Wrap Brackets to (831) Rafters with two #10 x 1-1/4" Pan Screws on both sides of each bracket. (F13.2, F13.3, F13.4 and F13.5)

**C:** Pre-drill with a 1/8" drill bit and secure Tie Wrap Brackets to (841) Tie and (831) Rafter with one #10 x 2-1/2" Pan Screw per bracket. (F13.3, F13.4 and F13.5)



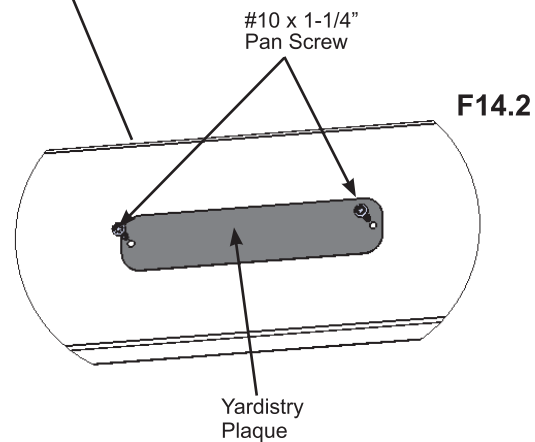
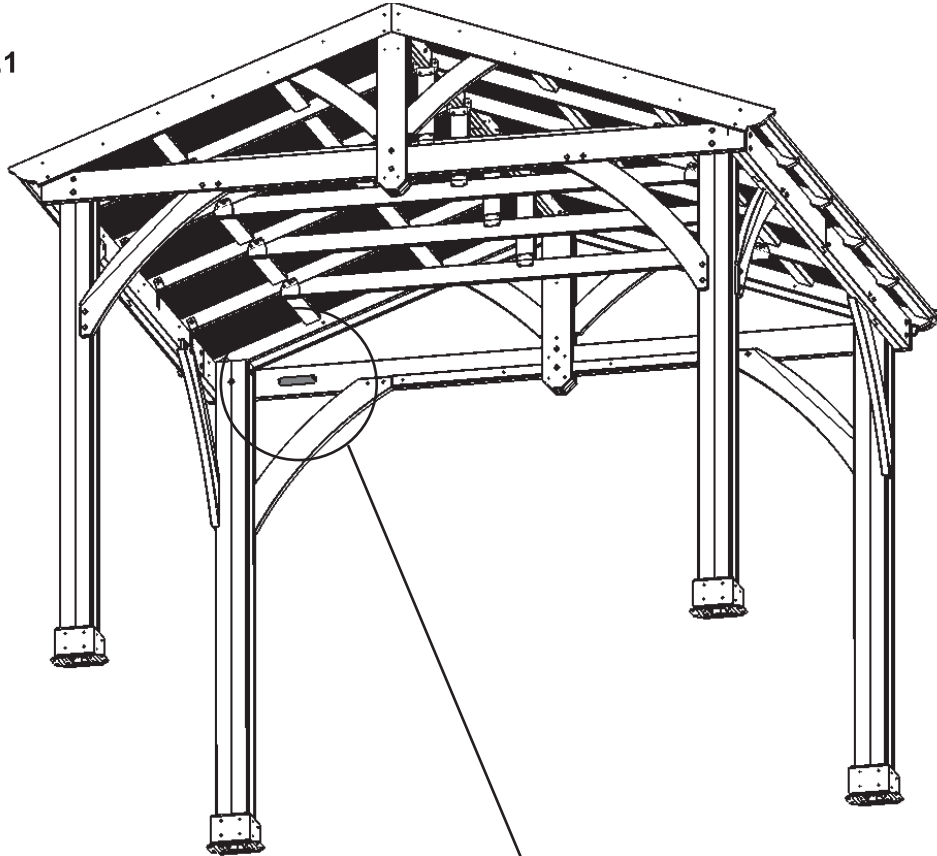
### Hardware

- 32 x #10 x 1-1/4" Pan Screw
- 8 x #10 x 2-1/2" Pan Screw

## Step 14: Attach Plaque

**A:** Attach Yardistry Plaque to a prominent location on your Pavilion with two #10 x 1-1/4" Pan Screws. This provides warnings concerning safety and important contact information. A tracking number is provided to allow you to get critical information or order replacement parts for this specific model. (F14.1 and F14.2)

F14.1



**Components:**  
1 x Yardistry Plaque

**Hardware**  
2 x #10 x 1-1/4" Pan Screw





## Customer Registration Card - Tarjeta de Registro del Cliente - Carte d'inscription du client

First Name - Primer Nombre - Prénom	Initial - Inicial - Initiale	Last Name - Apellido - Nom de famille

Street - Calle - Rue	PO Box - Casilla postal - Boîte postale	Apt. No. - App.

City - Ciudad - Ville	State/Province - Estado/Provincia - État/Province

ZIP/Postal Code - Código Postal - ZIP/Code postal	Country - País - Pays

E-mail Address - Dirección de E-mail - Adresse courriel	Telephone Number - No. de Teléfono - N° de téléphone

Model Name - Nombre del Modelo - Nom du modèle	Model Number (from front cover) - Número de Modelo (de la portada) - N° du modèle (page de couverture)

Date of Purchase - Fecha de Compra - Date d'achat (mm/dd/yyyy) (mm/dd/aaaa) (mm/jj/aaaa)	Place of Purchase - Comprado a - Lieu d'achat

Comments - Comentarios - Commentaires:

### Mail To - Enviar por Correo a - Envoyer par courrier à:

Yardistry  
375 Sligo Road West, PO Box 10  
Mount Forest, Ontario, Canada, N0G 2L0  
Attention: Consumer Relations  
Atención a: Servicio de Atención al Cliente  
À l'attention de: Service à la clientèle

### Online Registration - Registro online - Enregistrement en ligne:

<http://yardistrystructures.com/warranty.php>

Yardistry would like to say "Thank you" for your time and feedback.

Yardistry quiere "Agradecerle" por su tiempo y su opinión.

Yardistry aimerait vous remercier d'avoir pris le temps de répondre au sondage.