
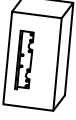







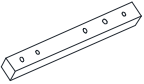
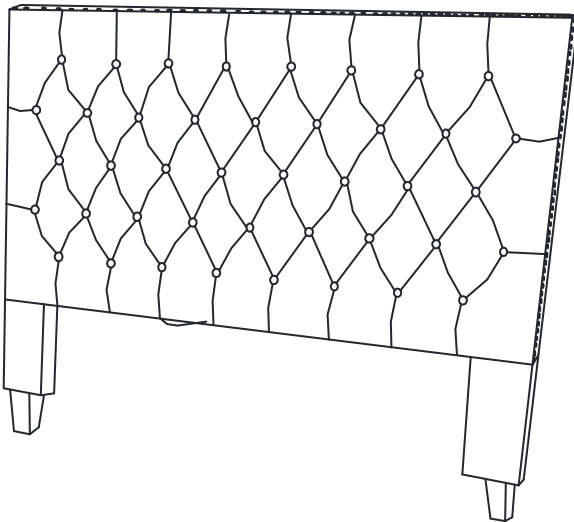


# ASSEMBLY INSTRUCTION

## E318B(3A) FULL/QUEEN/KING HEADBOARD

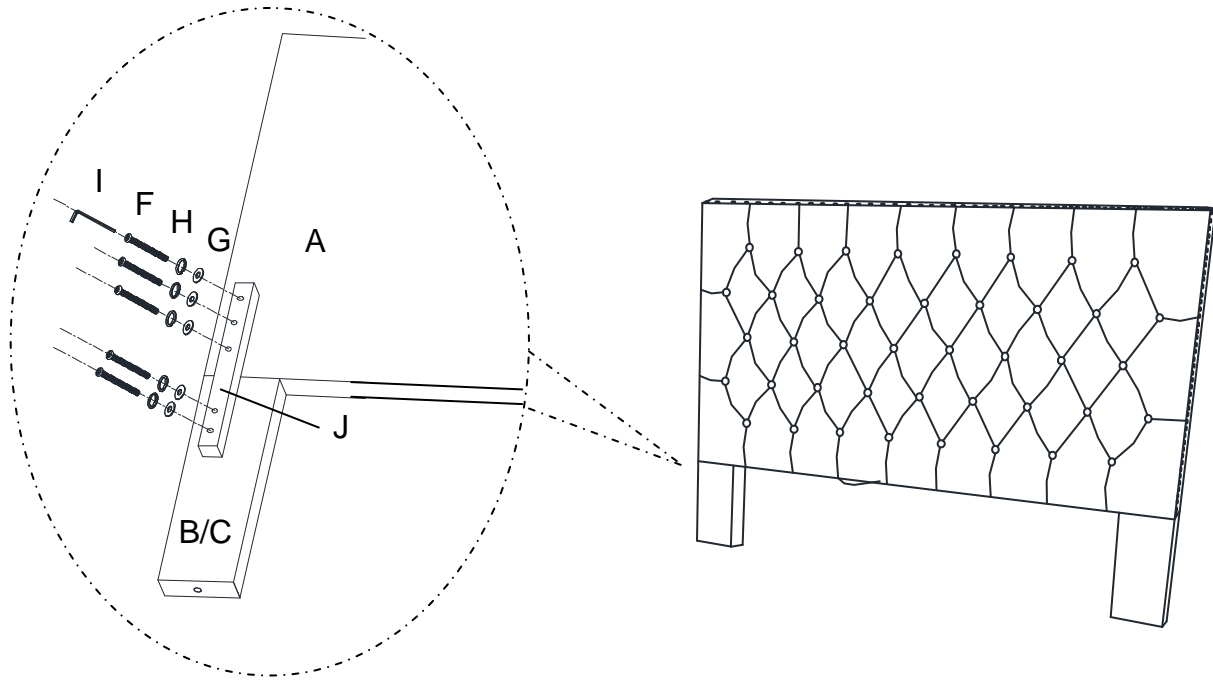
<b>A</b> Headboard	<b>B</b> Left Wooden Frame	<b>C</b> Right Wooden Frame	<b>D</b> Wooden Leg	<b>E</b> Bolt 1/4" x 78mm
				
1pc	1pc	1pc	2pcs	2pcs
<b>F</b> Bolt 1/4" x 65mm	<b>G</b> Flat Washer	<b>H</b> Lock Washer	<b>I</b> Allen Wrench	<b>J</b> Slate
				
10pcs	12pcs	12pcs	1pc	2pcs



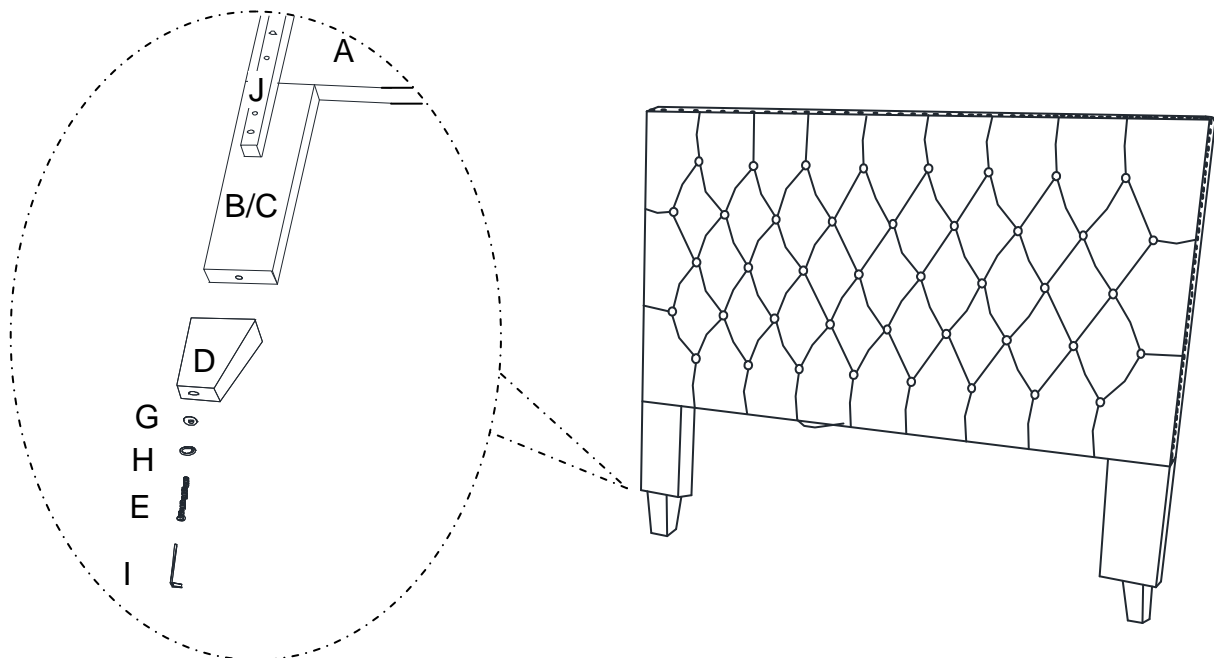
This page lists all the contents included in the box. Please take the time to identify the hardware as well as the individual components to this product. As you unpack and prepare for assembly, place the contents on a carpeted or padded area to protect them from damage.

**1**

Attached Left Wooden Frame (B) and Right Wooden Frame (C) to the Headboard (A) use Bolt (F), Lock Washer (H) and Flat Washer (G) on holes of Slates (J). Turn the Allen Wrench (I) in Bolt (F).

**2**

Attached Wooden Leg (D) to the Wooden Frame (B) (C) use Bolt (E), Lock Washer (H) and Flat Washer (G) on both of holes. Turn the Allen Wrench (I) in Bolt (E).



### Cleaning & Care

Treat surface with care. Surface is resistant to scratches but is not scratch resistant. Clean surfaces with a dry or damp soft cloth. Do not use abrasive cleaners. Hardware may loosen over time. Periodically check that all connections are tight.