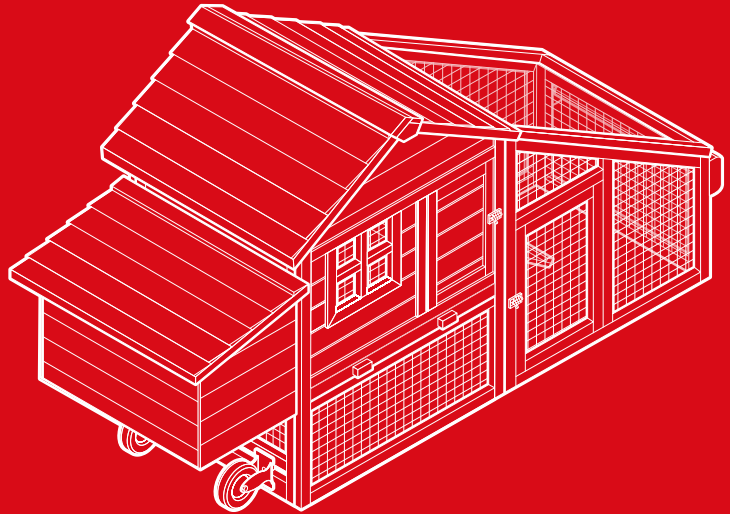




bestchoiceproducts



# INSTRUCTION MANUAL

---

Chicken Coop with Wheels



bestchoiceproducts

---

As shoppers, we're always trying to find the perfect balance between quality & value. At BCP, we believe we've achieved that. Our diverse catalog of everyday essentials is tailored especially to our customers & guaranteed to hit that sweet spot of high quality & low price.

— Always. —

## ! NOTICE

Please retain these instructions for future reference.

- Do not stand on or use any part of this item as a step ladder.
- Firmly secure all bolts, screws, and knobs before use.
- Reconfirm that all bolts, screws, and knobs are secure every 90 days.
- Fasten screws loosely during initial assembly. Do not firmly tighten the screws until the item is completely assembled.
- Do not use or store this item in the proximity of open flame or flammable/combustible chemicals.
- Be aware that some parts are heavy and have sharp edges.
- If any parts are missing, broken, damaged, or worn, stop using this item until repairs are made and/or factory replacement parts are installed.
- Do not use this item in a way inconsistent with the manufacturer's instructions as this could void the product warranty.

## TOOLS REQUIRED



PHILLIPS  
SCREWDRIVER



SMALL  
WRENCH



ELECTRIC DRILL  
(RECOMMENDED)

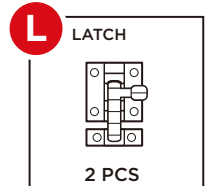
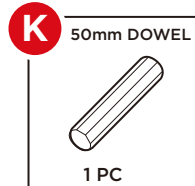
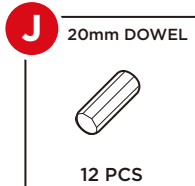
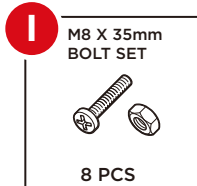
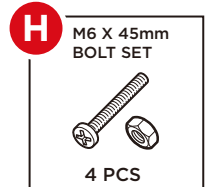
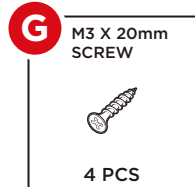
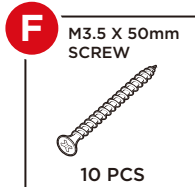
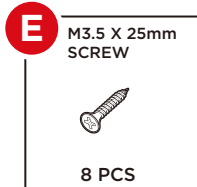
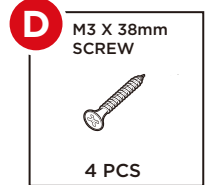
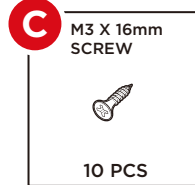
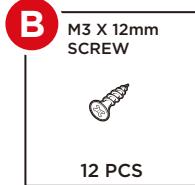
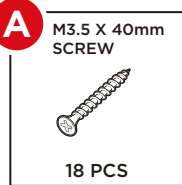


2 PERSON  
ASSEMBLY

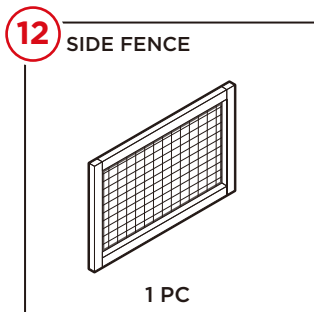
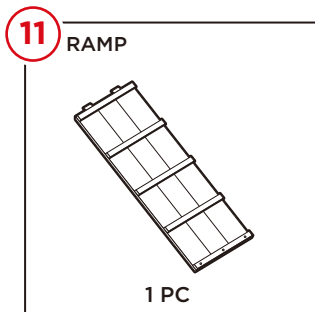
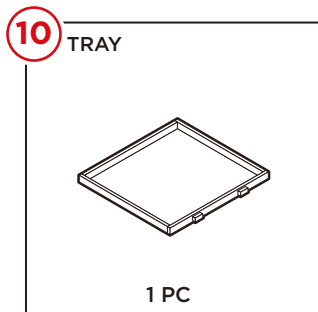
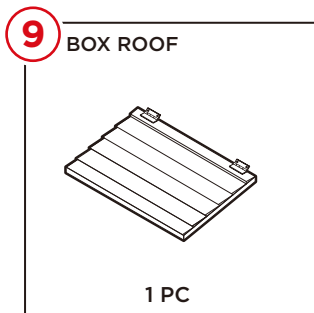
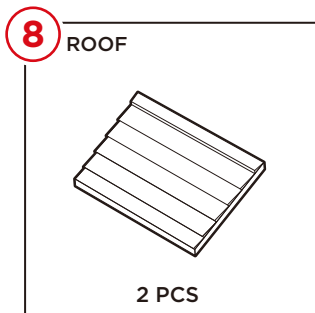
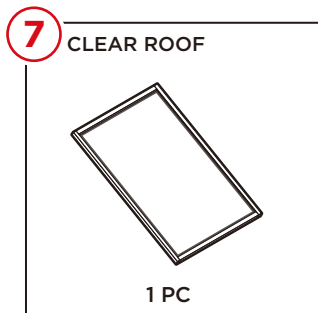
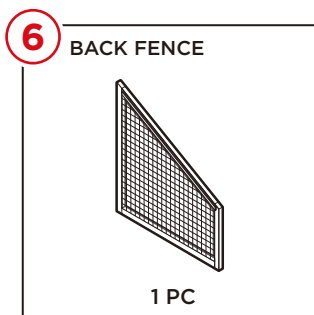
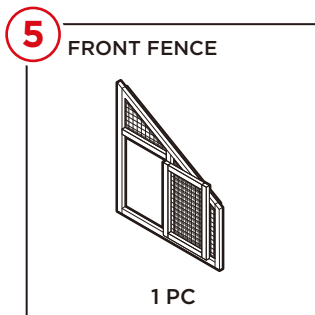
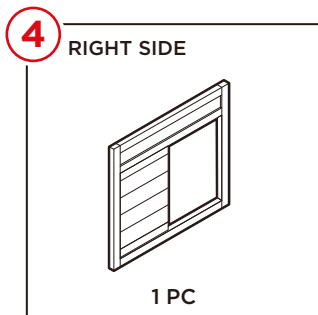
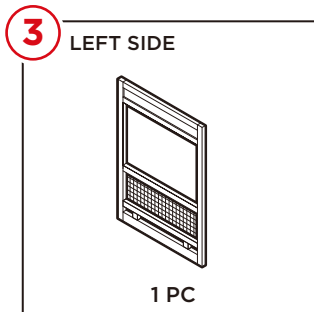
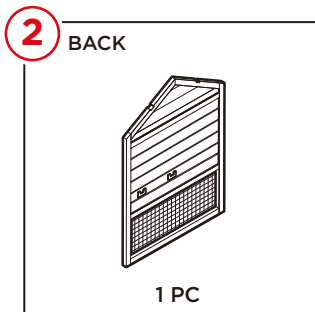
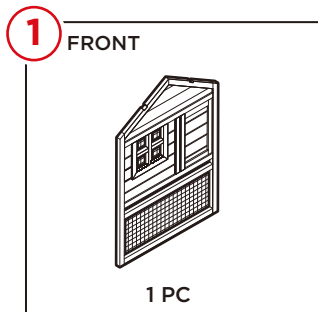


UP TO 90 MIN.  
ASSEMBLY

## HARDWARE

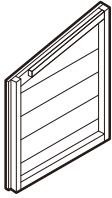


# PARTS



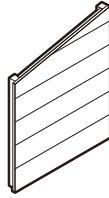
# PARTS

**13** LEFT BOX SIDE



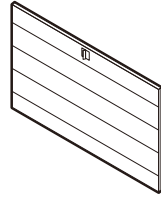
1 PC

**14** RIGHT BOX SIDE



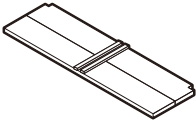
1 PC

**15** BOX FRONT



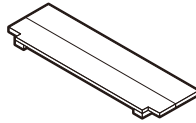
1 PC

**16** BOX FLOOR I



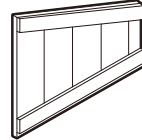
1 PC

**17** BOX FLOOR II



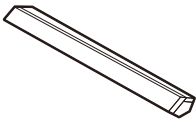
1 PC

**18** DIVIDER



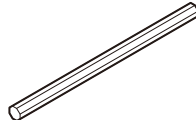
1 PC

**19** ROOF FRAME



1 PC

**20** RAILING



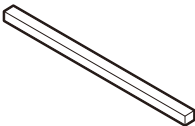
1 PC

**21** RAILING ARM



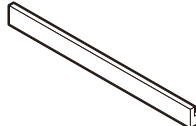
2 PCS

**22** MIDDLE SUPPORT



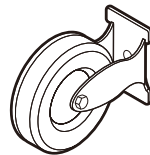
2PCS

**23** SIDE SUPPORT



2 PCS

**24** WHEEL

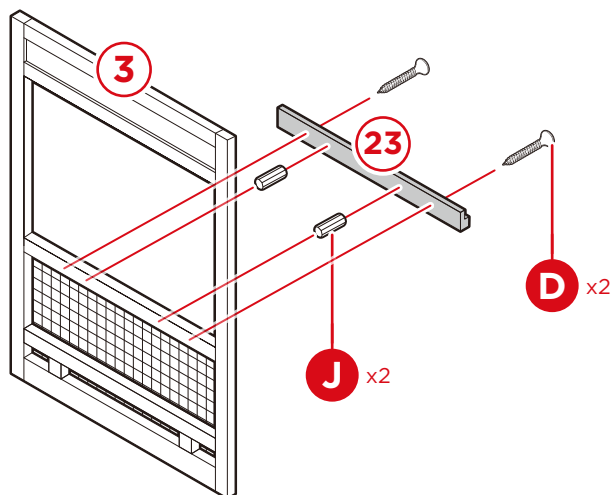


2 PCS

## PRODUCT ASSEMBLY

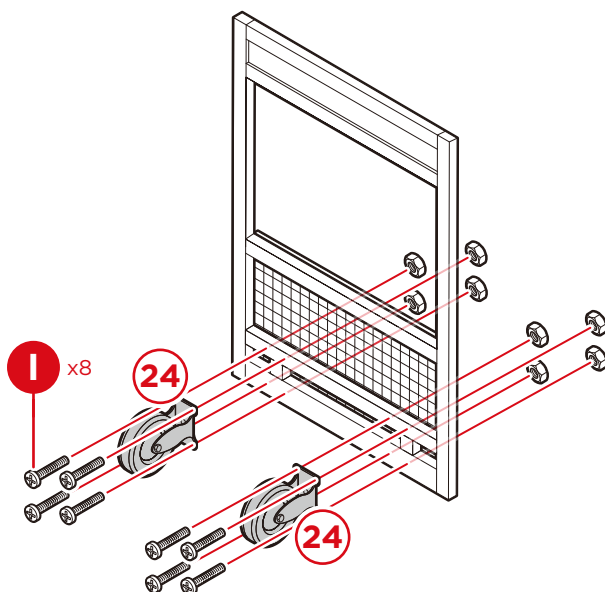
1

Attach a part 23 side support to part 3 left side with two part J dowels and two part D screws.



2

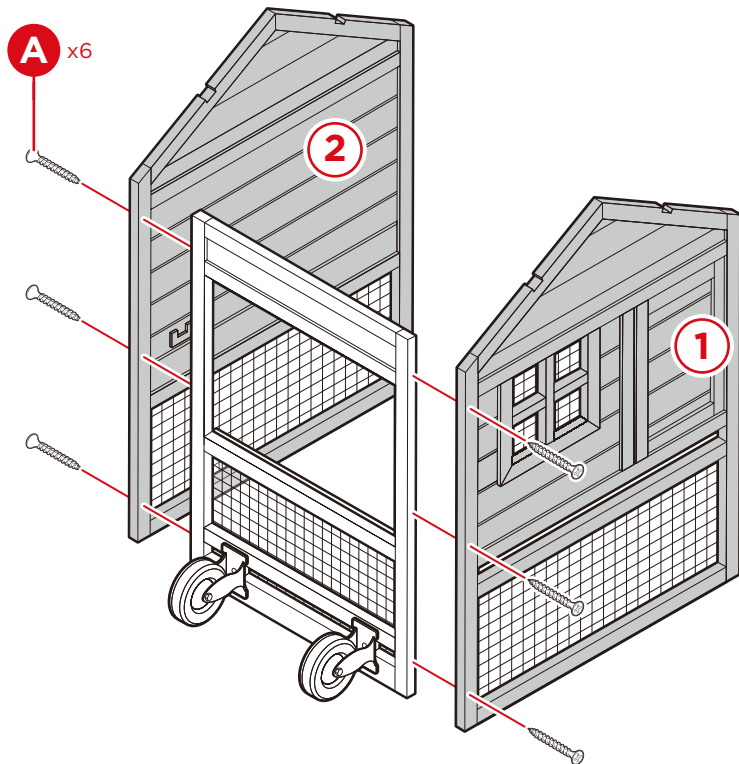
Attach two part 24 wheels with eight part I bolt sets.



## PRODUCT ASSEMBLY

3

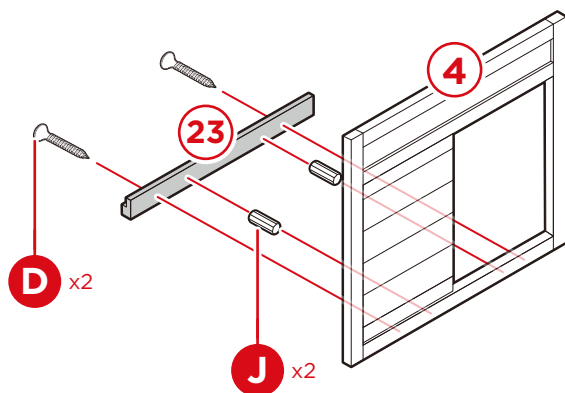
Attach part 1 front and part 2 back to the left side with six part A screws.



## PRODUCT ASSEMBLY

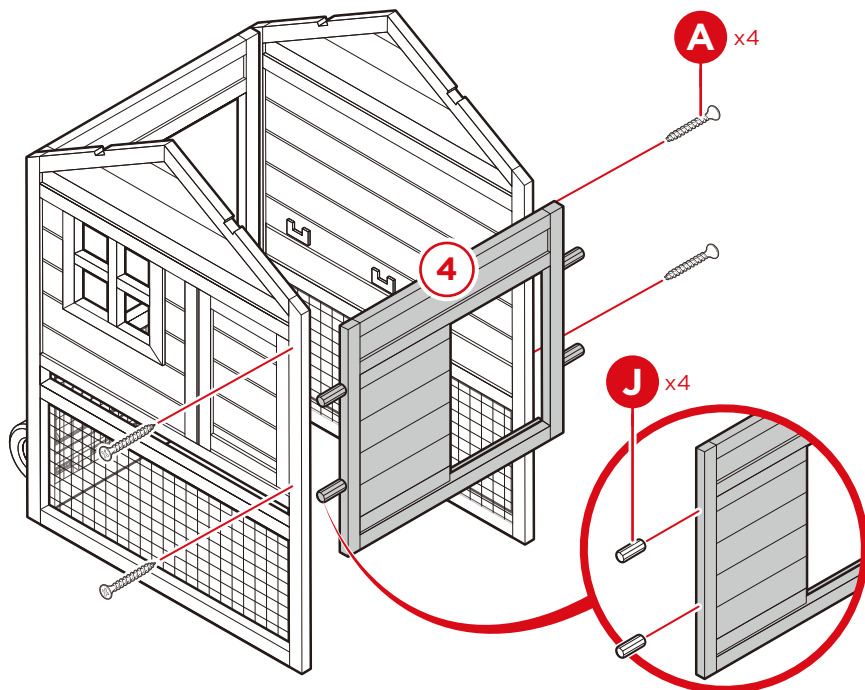
4

Attach a part 23 side support to part 4 right side with two part J dowels and two part D screws.



5

Attach part 4 right side with four part J dowels and four part A screws.

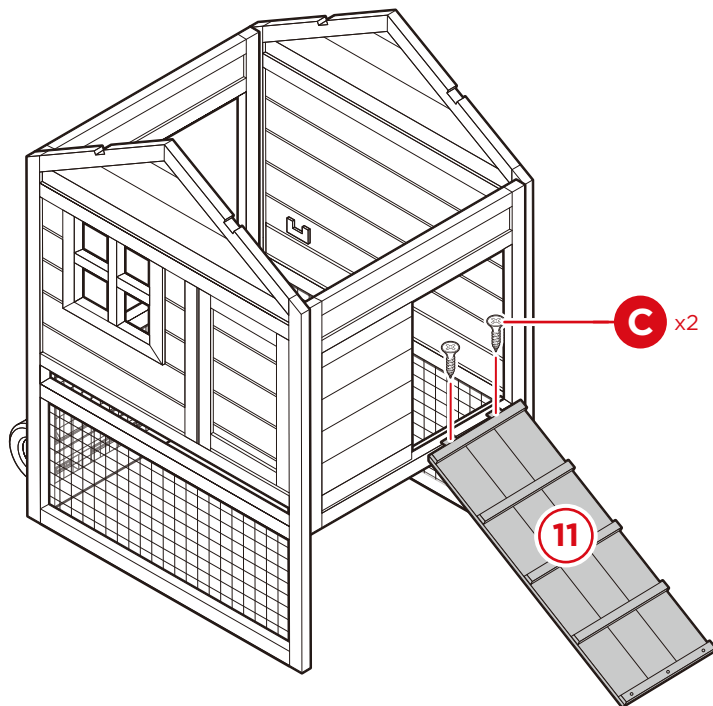




## PRODUCT ASSEMBLY

6

Attach part 11 ramp with two part C screws.



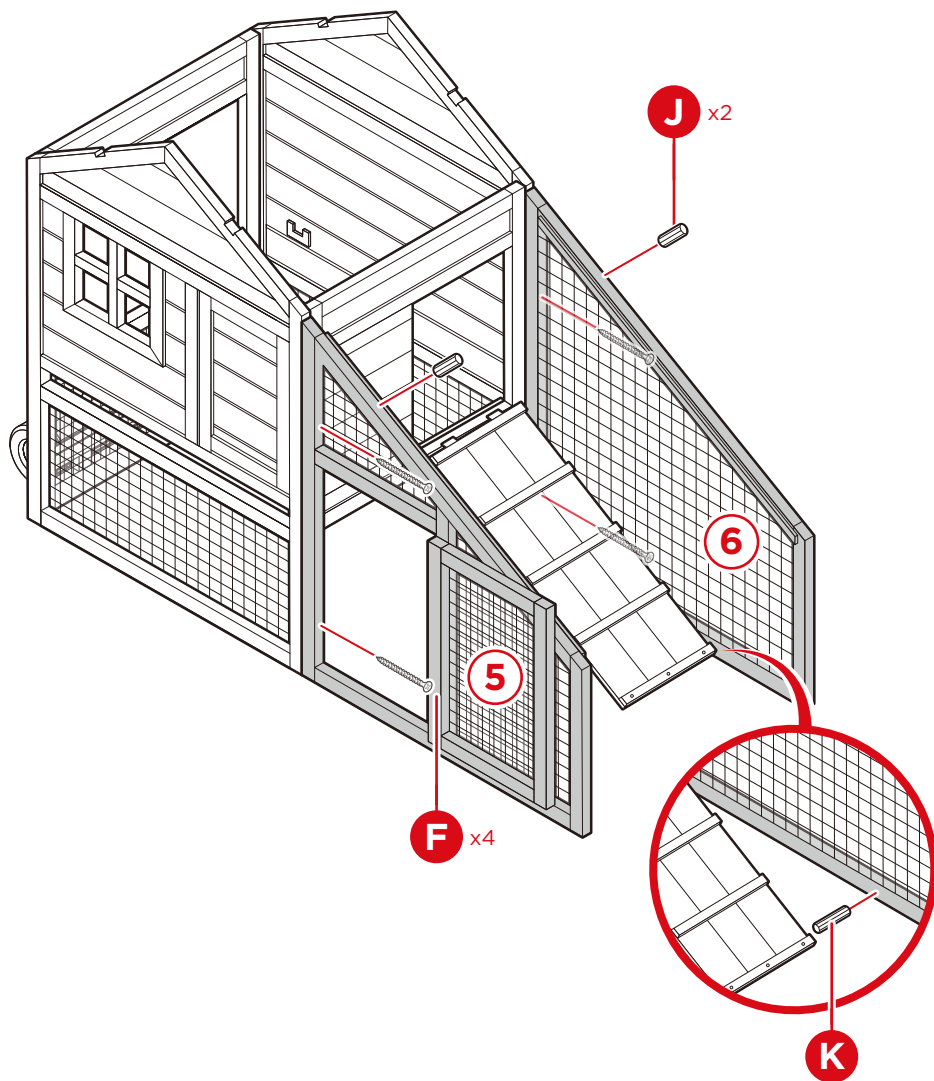
## PRODUCT ASSEMBLY

7

Attach part 5 front fence and part 6 back fence with four part F screws.

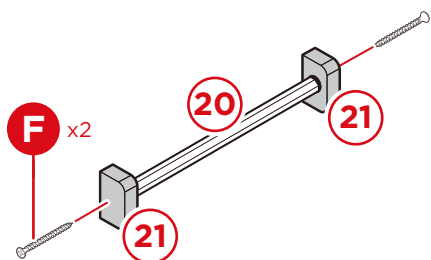
Insert two part J dowels.

Insert a part K dowel into the back fence to secure the ramp.

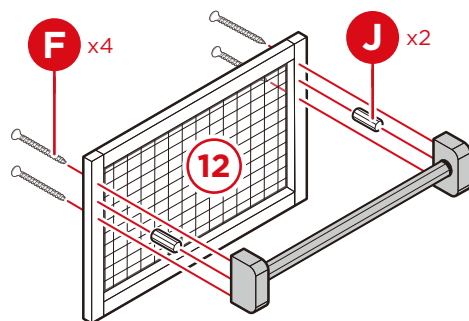


## PRODUCT ASSEMBLY

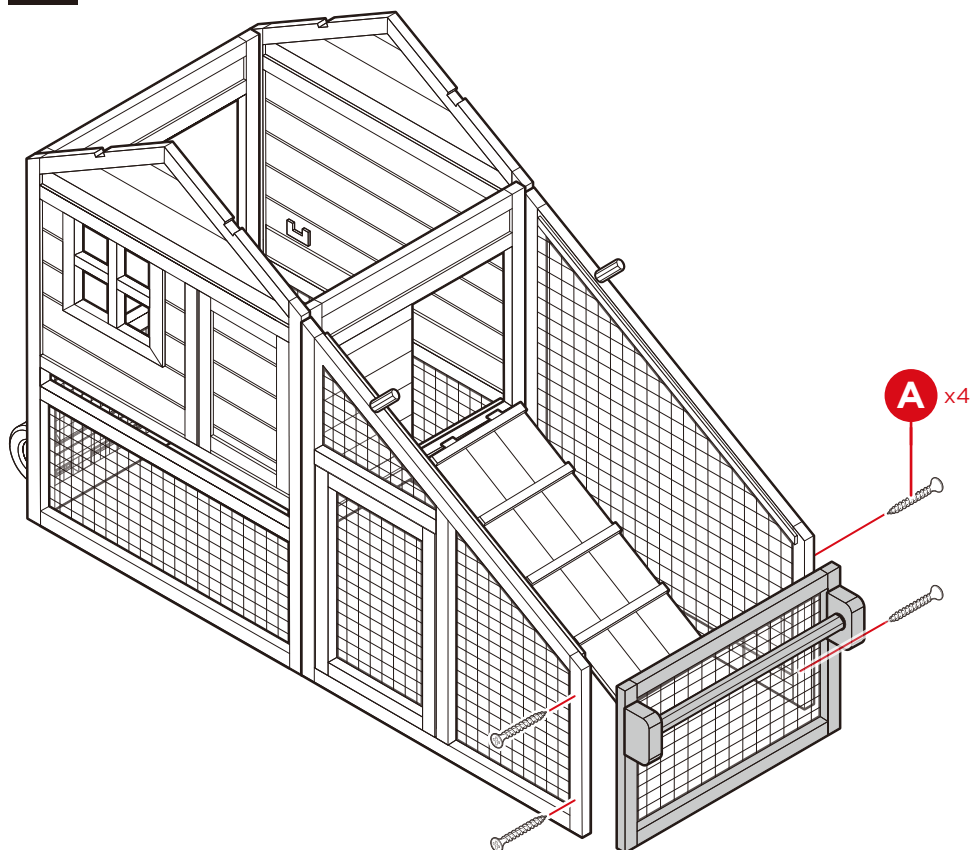
- 8** Attach two part 21 railing arms to part 20 railing with two part F screws.



- 9** Attach the railing arms to part 12 side fence with two part J dowels and four part F screws.



- 10** Attach the side fence with four part A screws.

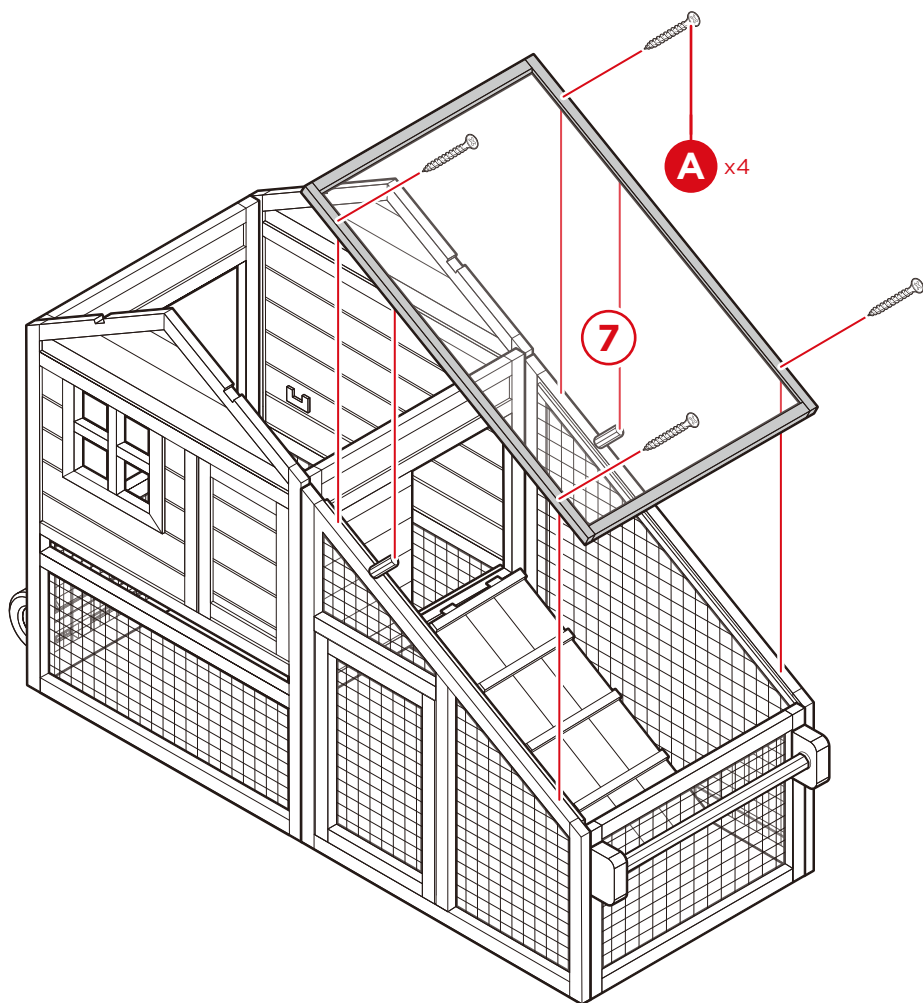


## PRODUCT ASSEMBLY

11

Attach part 7 clear roof with four part A screws.

**NOTE:** Insert the dowels into the roof.

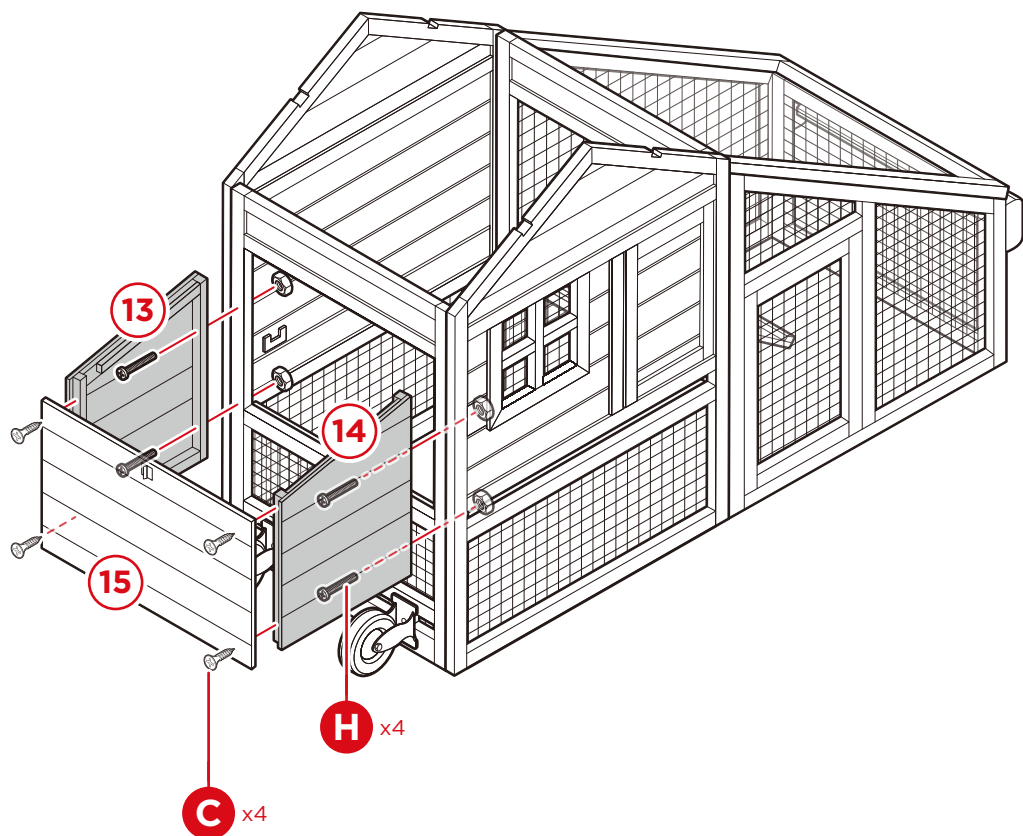


## PRODUCT ASSEMBLY

12

Attach part 13 left box side and part 14 right box side with four part H bolt sets.

Attach part 15 box front with four part C screws.

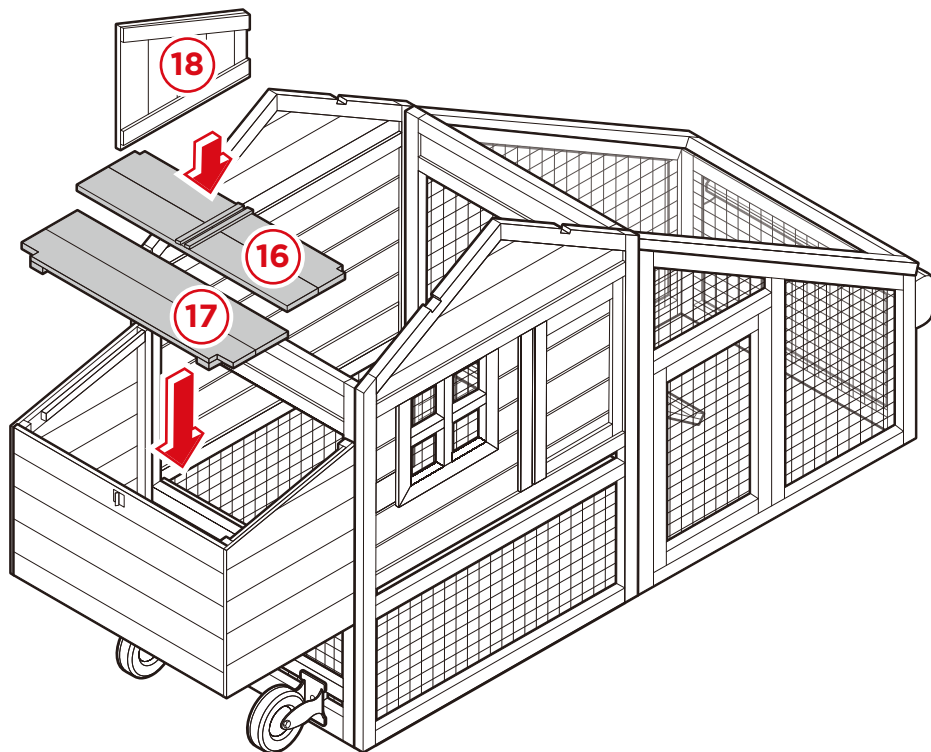


## PRODUCT ASSEMBLY

**13**

Place part 16 and 17 box floors.

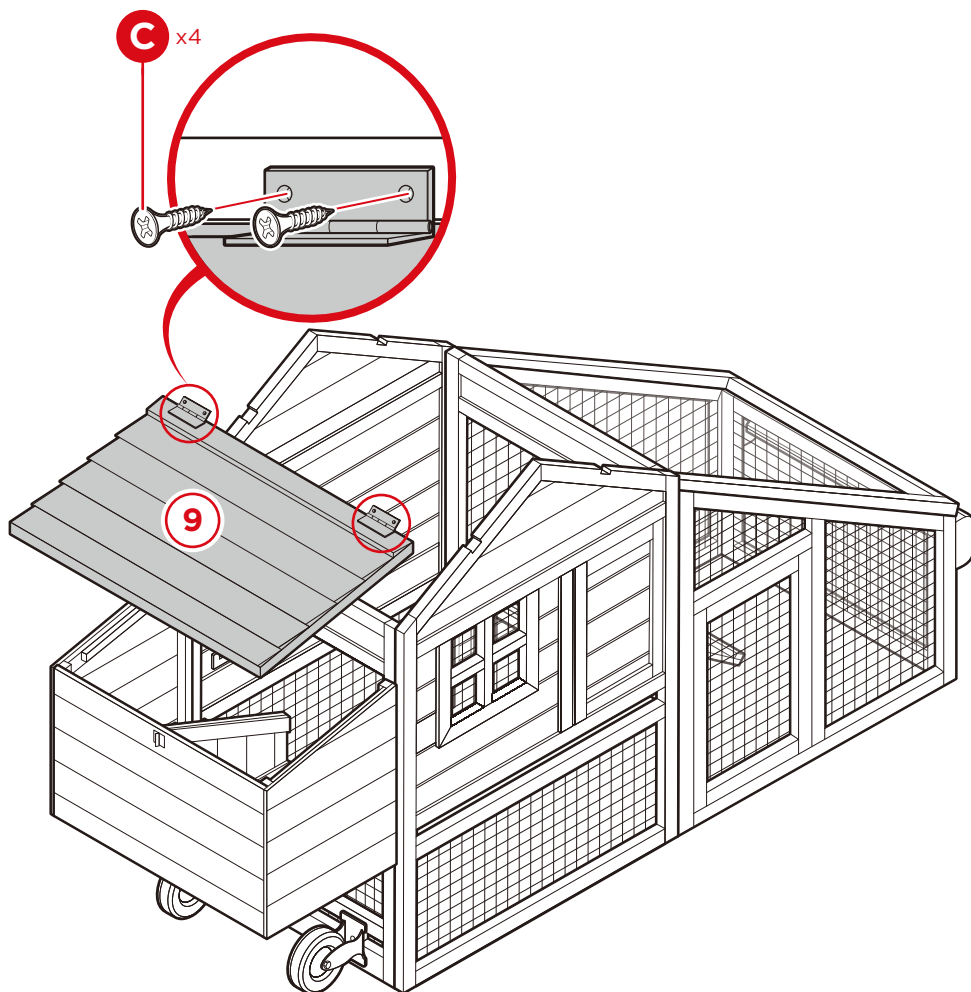
Insert part 18 divider into the designated slot.



## PRODUCT ASSEMBLY

14

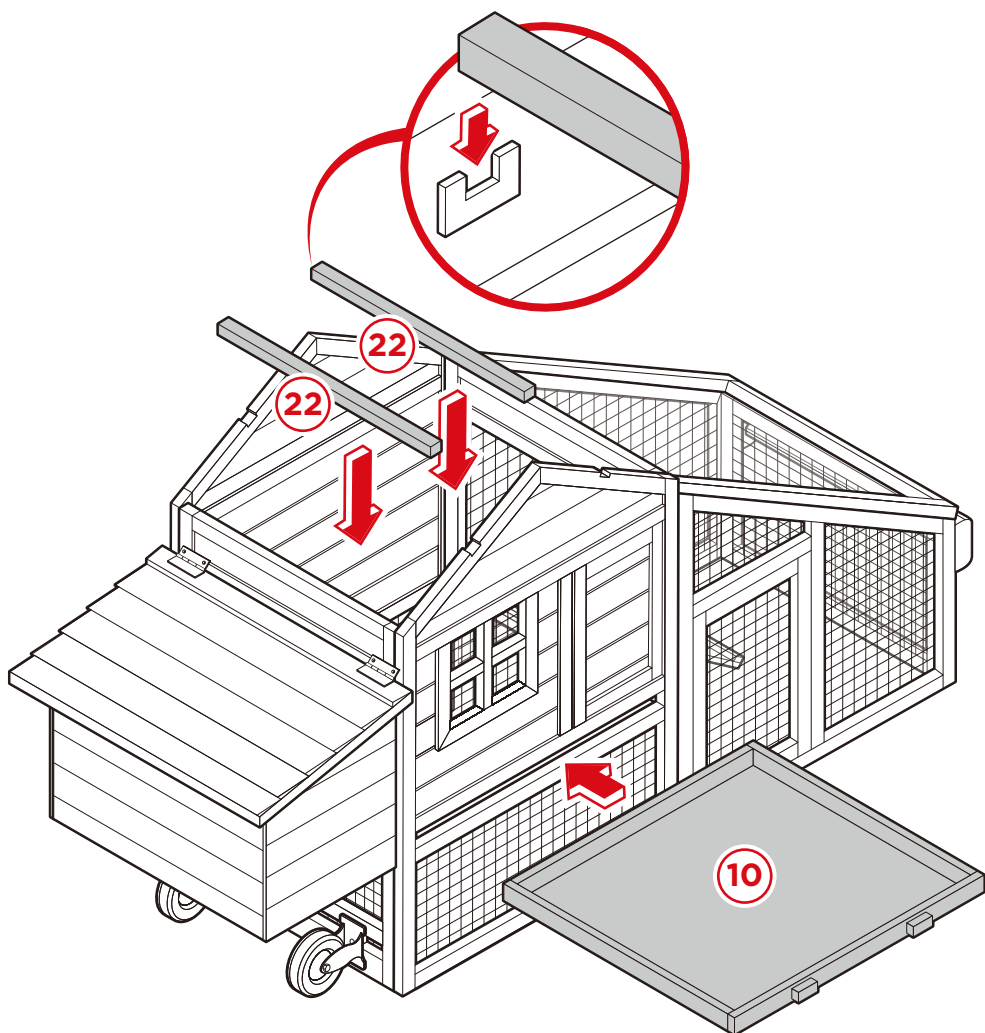
Attach the hinges on the part 9 box roof with four part C screws.



## PRODUCT ASSEMBLY

15

Place two part 22 middle supports into the coop.  
Slide in the part 10 tray.



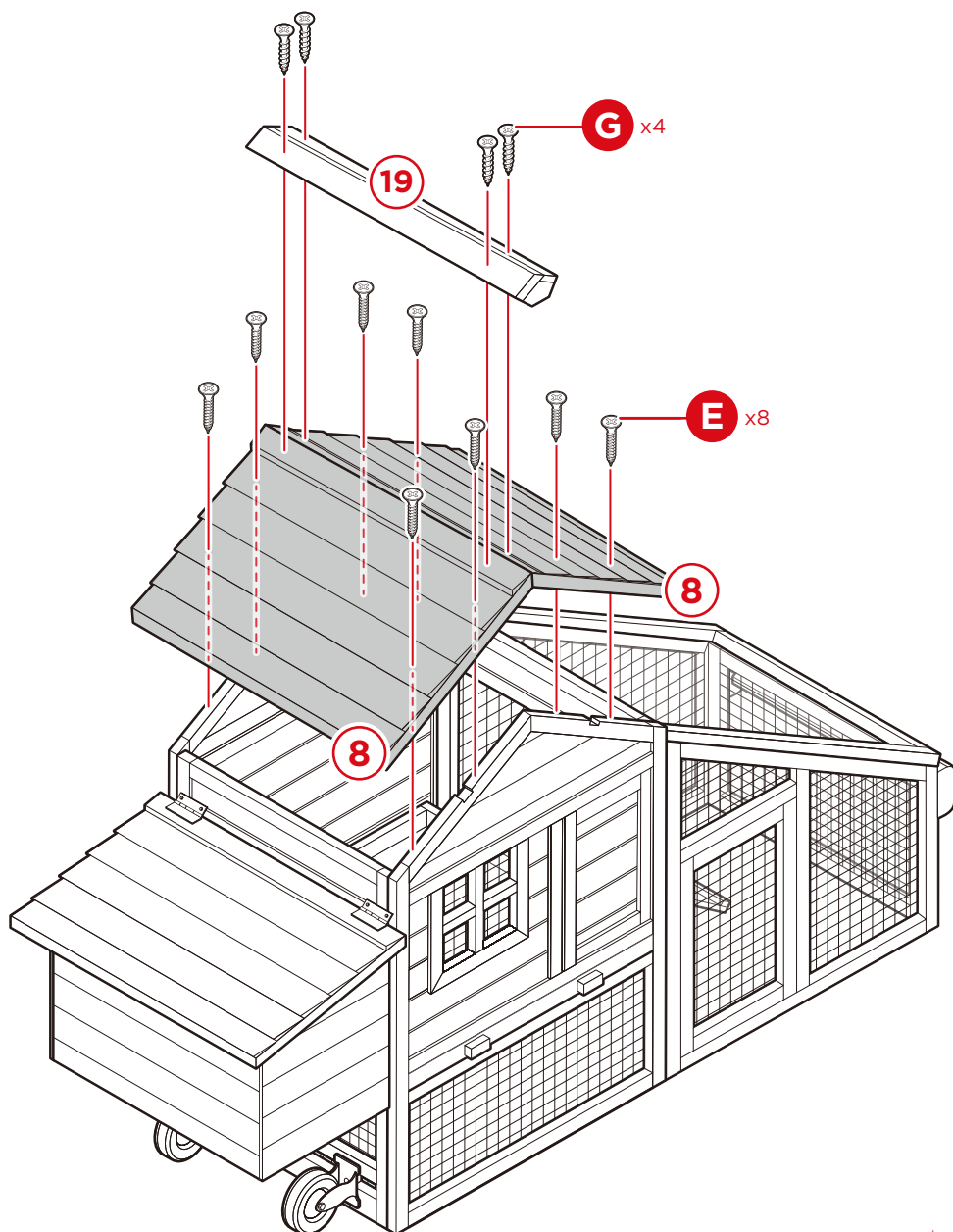


## PRODUCT ASSEMBLY

16

Attach two part 8 roofs with eight part E screws.

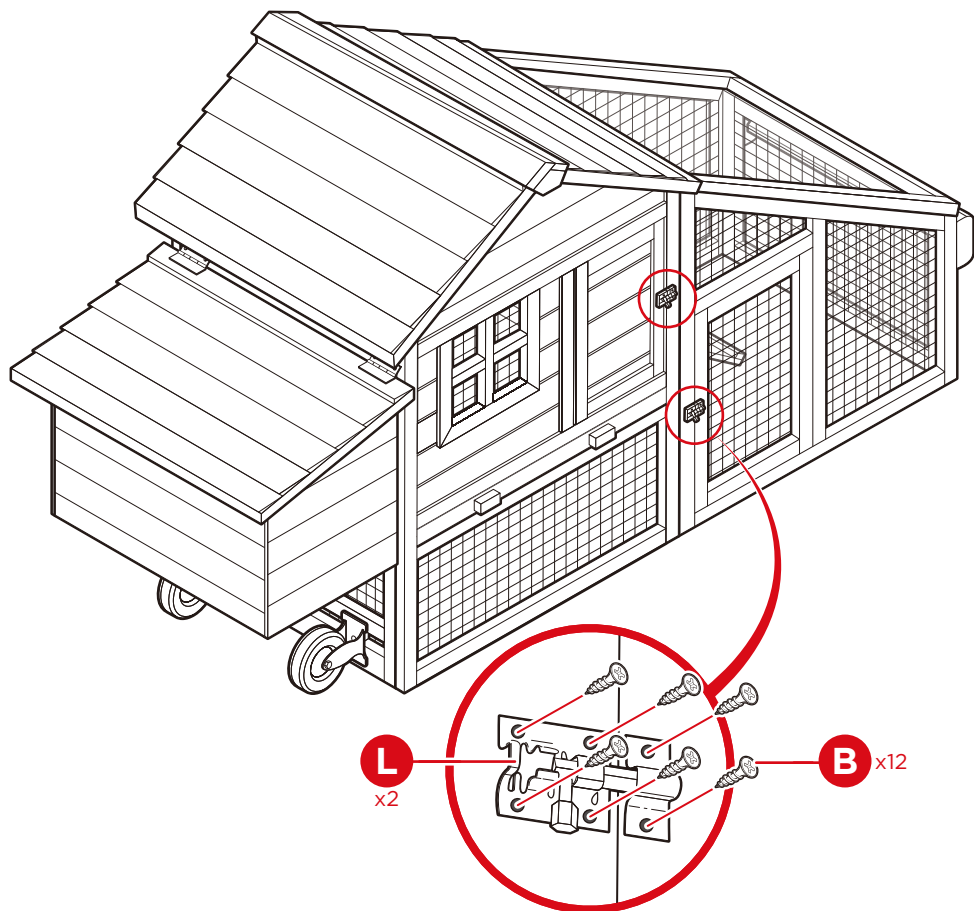
Attach part 19 roof frame with four part G screws.



## PRODUCT ASSEMBLY

17

Attach two part L latches with twelve part B screws, six screws per latch.



Earn points while you shop. Join today!

bestchoiceproducts  
**rewards**

Join | Earn | Redeem

Give your friends 15% off their first order! For each successful referral you'll receive 100 points.

[bestchoiceproducts.com](https://bestchoiceproducts.com)



# HELP CENTER



Question about your product? We're here to help. Visit us at:

[help.bestchoiceproducts.com](http://help.bestchoiceproducts.com)



Chat Support



Product Inquiry



Orders FAQ



Product Assembly



Returns & Refunds

## PRODUCT WARRANTY INFORMATION

All items can be returned for any reason within 60 days of the receipt and will receive a full refund as long as the item is returned in its original product packaging and all accessories from its original shipment are included. All returned items will receive a full refund back to the original payment method. All returned items will not be charged a re-stocking fee.

All returned items require an RA (Return Authorization) number, which can only be provided by a Best Choice Products Customer Service Representative when the return request is submitted. Items received without an RA may not be accepted or may increase your return processing time. Once an item has been received by Best Choice Products, refunds or replacements will be processed within 5 business days.

All returns must be shipped back to the Best Choice Products Return Center at the customer's expense. If the reason for return is a result of an error by Best Choice Products then Best Choice Products will provide a pre-paid shipping label via email. Boxes for return shipping will not be provided by Best Choice Products, and is the customer's responsibility to either use the original shipping boxes or purchase new boxes.

Pictures may be required for some returns to ensure an item is not damaged prior to its return. Items returned are not considered undamaged until they are received by Best Choice Products and verified as such. All damages to items are the customer's responsibility until the item has been received by and acknowledge by Best Choice Products as undamaged.



## WARNING

Manufacturer and seller expressly disclaim any and all liability for personal injury, property damage or loss, whether direct, indirect, or incidental, resulting from the incorrect attachment, improper use, inadequate maintenance, unapproved modification, or neglect of this product.