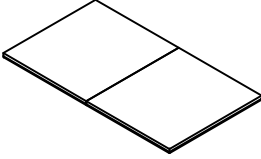
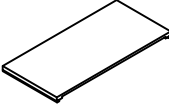
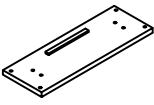
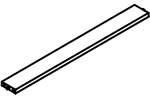
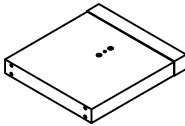
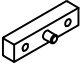
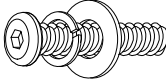
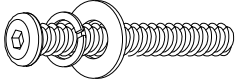
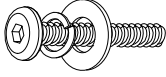

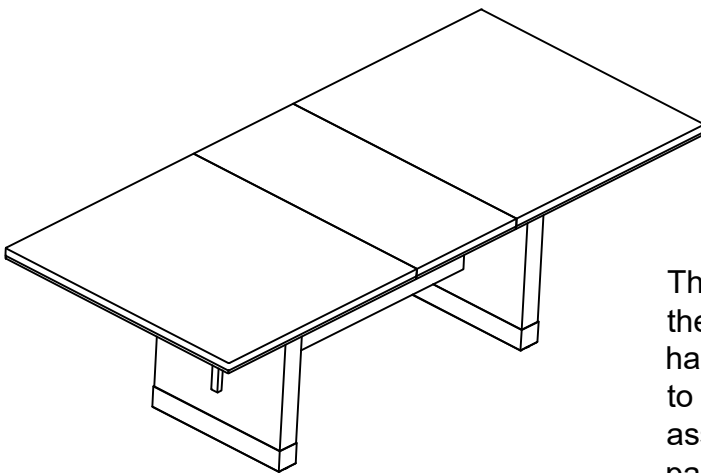


ASSEMBLY INSTRUCTIONS

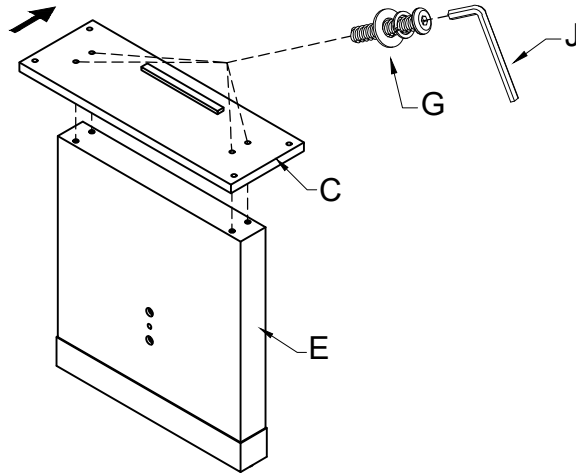
DINING TABLE 76"-96" WITH LEAF

A Table Top	B Table Leaf	C Mounting Plate	D Stretcher
			
1pc	1pc	2pcs	1pc
E Leg	F Trim	G Bolt w/ Lock Washer & Flat Washer 5/16" x 2" Ø5/16" x 1/2" Ø5/16" x 3/4"	H Bolt w/ Lock Washer & Flat Washer 5/16" x 4" Ø5/16" x 1/2" Ø5/16" x 3/4"
			
2pcs	2pcs	8sets	4sets
I Bolt w/ Lock Washer & Flat Washer 1/4" x 2" Ø1/4" x 3/8" Ø1/4" x 3/4"	J Allen Key 5/32"		
			
8sets	1pc		

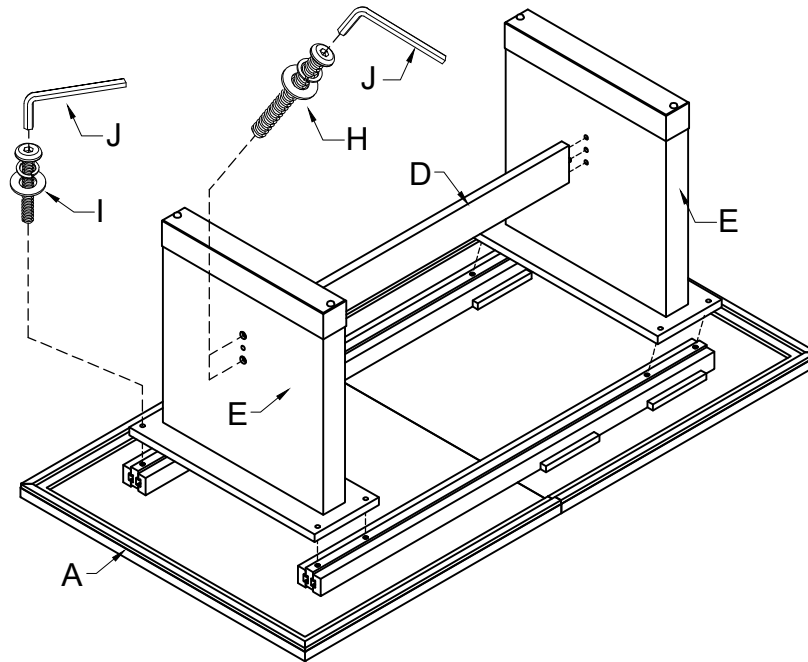


This page lists all the contents included in the box. Please take the time to identify the hardware as well as the individual components to this product. As you unpack and prepare for assembly, place the contents on a carpeted or padded area to protect them from damage.

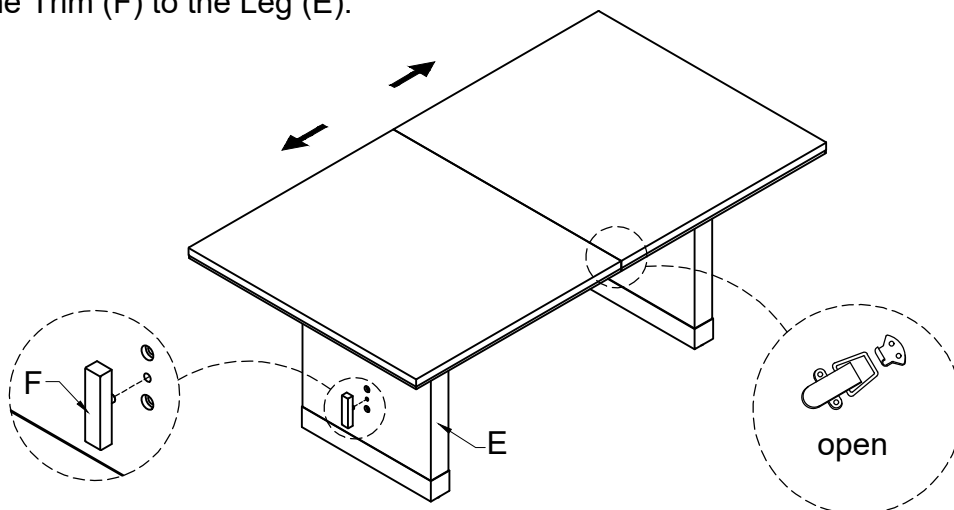
- 1** Attach the Mounting Plate (C) to the Leg (E) using Bolt with Lock Washer & Flat Washer (G) with the Allen Key (J).



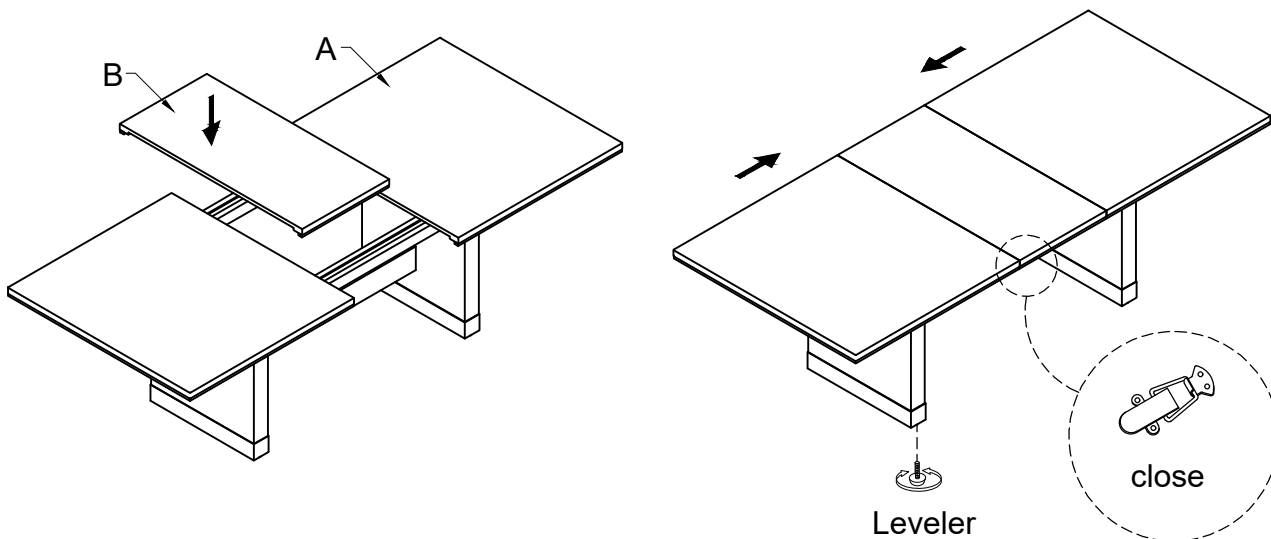
- 2** Attach the Stretcher (D) to the Leg (E) using Bolt with Lock Washer & Flat Washer (H) with the Allen Key (J). Then, attach the Leg (E) to the Table Top (A) using Bolt with Lock Washer & Flat Washer (I) with the Allen Key (J).



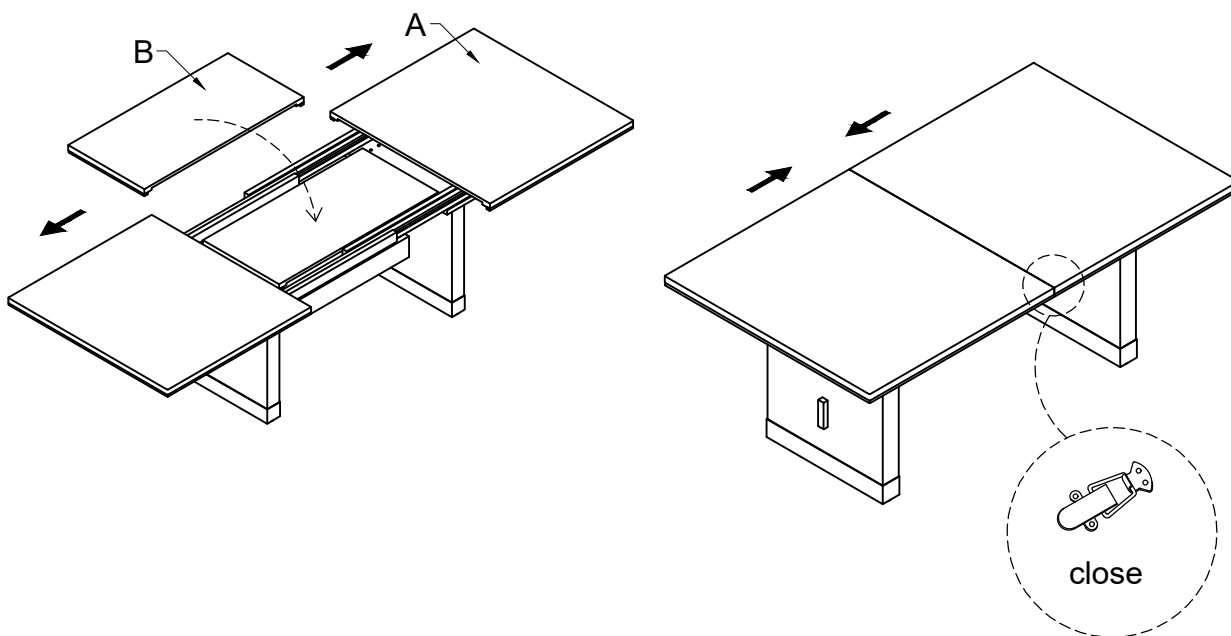
- 3** Attach the Trim (F) to the Leg (E).



4 Attach the Table Leaf (B) to the Table Top (A).



5 Pulling out and opening the Table Top (A) can store the Table Leaf (B) inside the table.



Cleaning & Care

Treat surfaces with care. Surfaces are resistant to scratches but are not scratch resistant. Clean surfaces with a dry or damp soft cloth. Do not use abrasive cleaners. Hardware may loosen over time. Periodically check that all connections are tight.