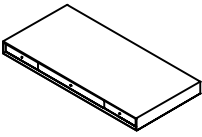
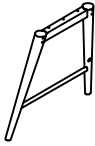
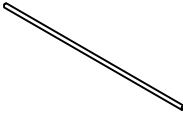
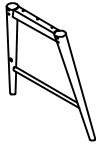

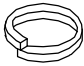
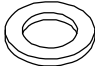


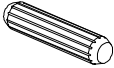
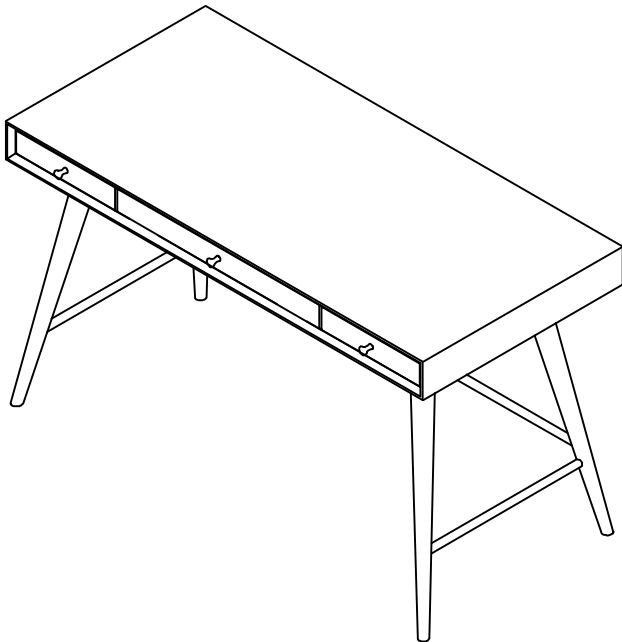


# ASSEMBLY INSTRUCTION

## 579-15(3A) SOFA WRITING DESK

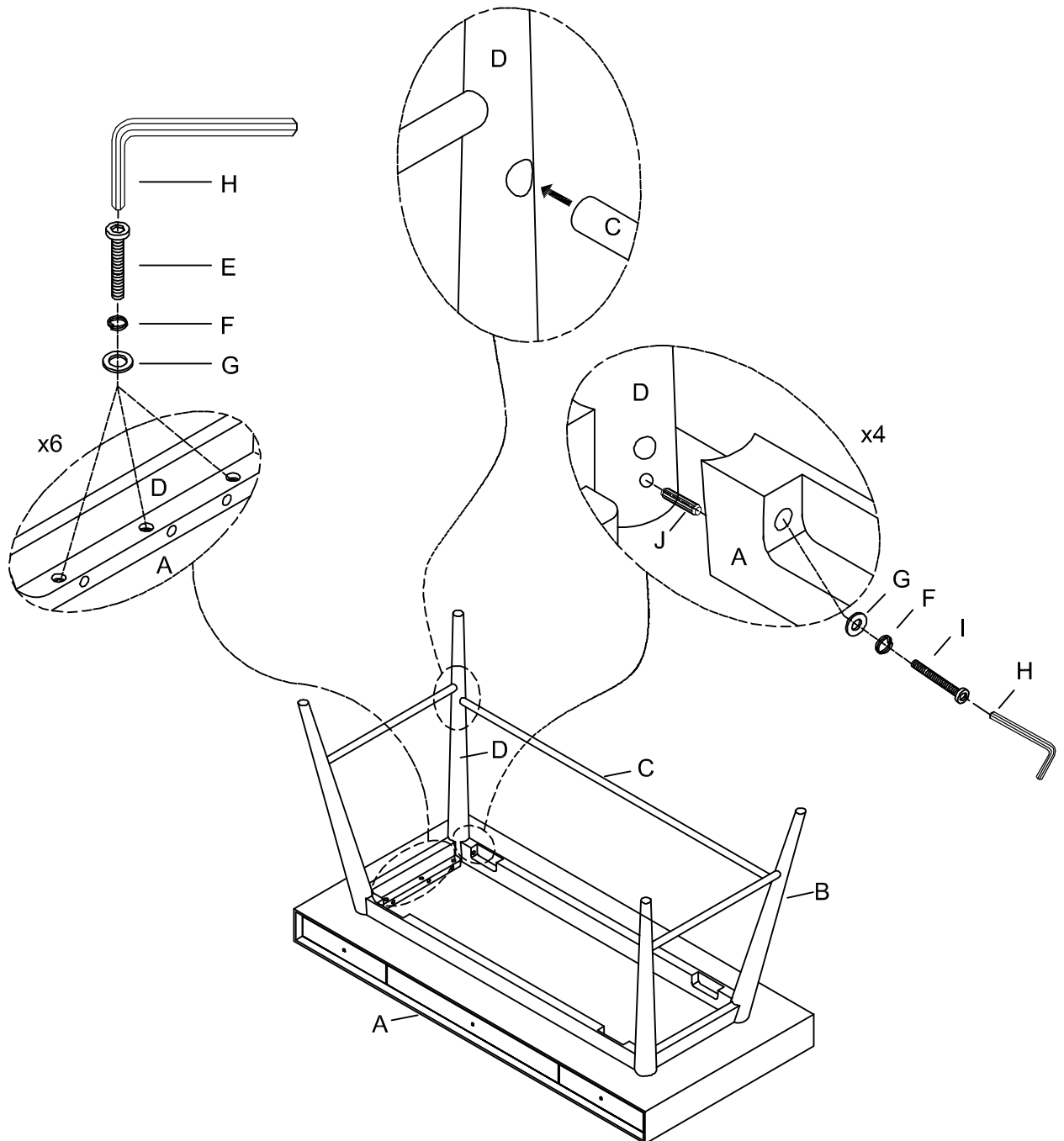
<b>A</b> Table Top  1PC	<b>B</b> Leg Frame (Left)  1PC	<b>C</b> Cross Bar  1PC	<b>D</b> Leg Frame (Right)  1PC
<b>E</b> Bolt-Small Ø1/4"x1-1/2"  6PCS	<b>F</b> Lock Washer Ø1/4"  10PCS	<b>G</b> Flat Washer Ø1/4"  10PCS	<b>H</b> Allen Key 4mm  1PC
<b>I</b> Bolt-Large Ø1/4"x2-3/4"  4PCS	<b>J</b> Wooden Dowel Ø8x30mm  4PCS		



This page lists all the contents included in the box. Please take the time to identify the hardware as well as the individual components to this product. As you unpack and prepare for assembly, place the contents on a carpeted or padded area to protect them from damage.

1

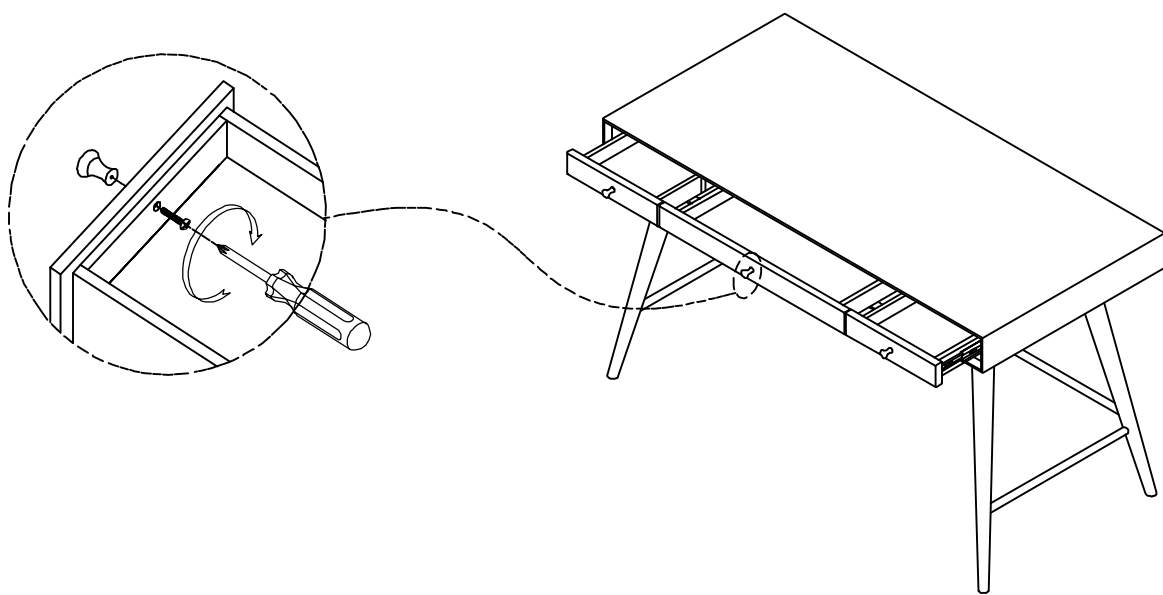
Attach the Leg Frame (B/D) to the Table Top (A) by using Flat Washer (G), Lock Washer (F) and Bolt-Small (E) with Allen Key (H), and by using Wood Dowel (J), Flat Washer (G), Lock Washer (F) and Bolt-Large (I) with Allen Key (H). Insert the Cross Bar (C) to the attached Leg Frame (B/D).



---

**2**

Remove the Knob from the inside of the Drawer and then attach the Knob to the Drawer.



---

#### Cleaning & Care

Treat surface with care. Surface is resistant to scratches but is not scratch resistant. Clean surfaces with a dry or damp soft cloth. Do not use abrasive cleaners. Hardware may loosen over time. Periodically check that all connections are tight.