

# SONANCE

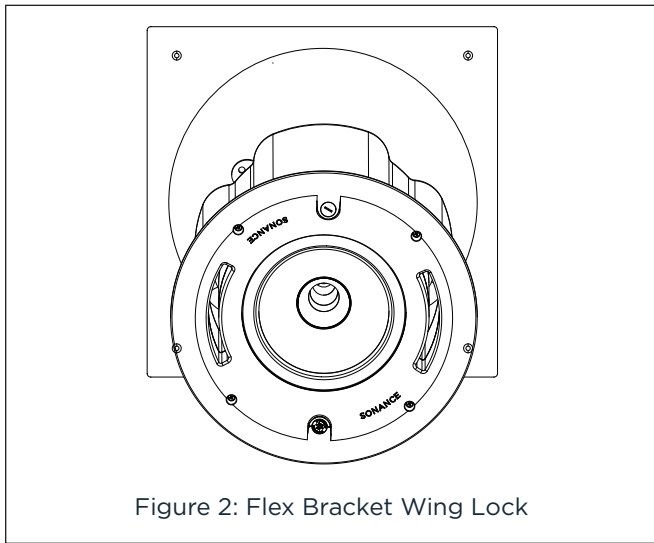
## PROFESSIONAL SERIES PS-C85RT SQUARE GRILLE ADAPTER QUICKSTART GUIDE

### FOR USE WITH PS-C85RT LOUDSPEAKERS.

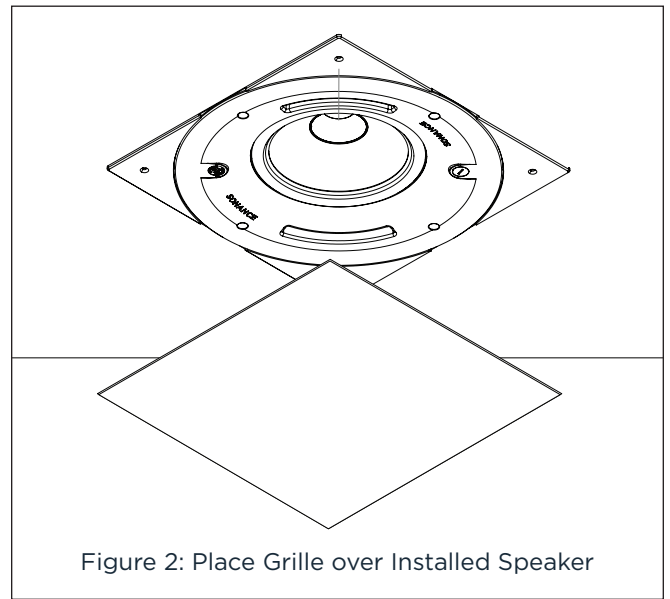
The PS-C85RT Square Grille Adapter allows for black or white square grilles to be installed on the PS-C85RT Loudspeaker making the round speaker have a square trim to suit the aesthetics of your space.

### INSTALLATION

1. Before installing the speaker into the ceiling or on the wall, slide the Square Adapter over the back side of the PS-C85RT speaker. Install the speaker by following the steps outlined in the PS-C85RT Loudspeaker Installation Manual.



3. Secure the PS-C85RT speaker into place by tightening the RotoLock toggle screws. If the Square corners show any signs of sag, secure each of the four corners to the ceiling surface with a screw through the Square Adapter holes (one per corner).
4. Place the square grille over the installed speaker and Square Adapter frame (see Figure 2). Speaker will be slightly adjustable within the hole about 1/8" all directions.



**NOTE:** Be careful not to tighten the RotoLock toggle screws too tightly to allow for repositioning the Square Adapter.

2. Once the speaker is in position in the surface with the Square adapter, find the appropriate alignment and desired positioning of the Square adapter to match the sight lines of the surrounding surface and elements like lighting or ceiling tiles.