

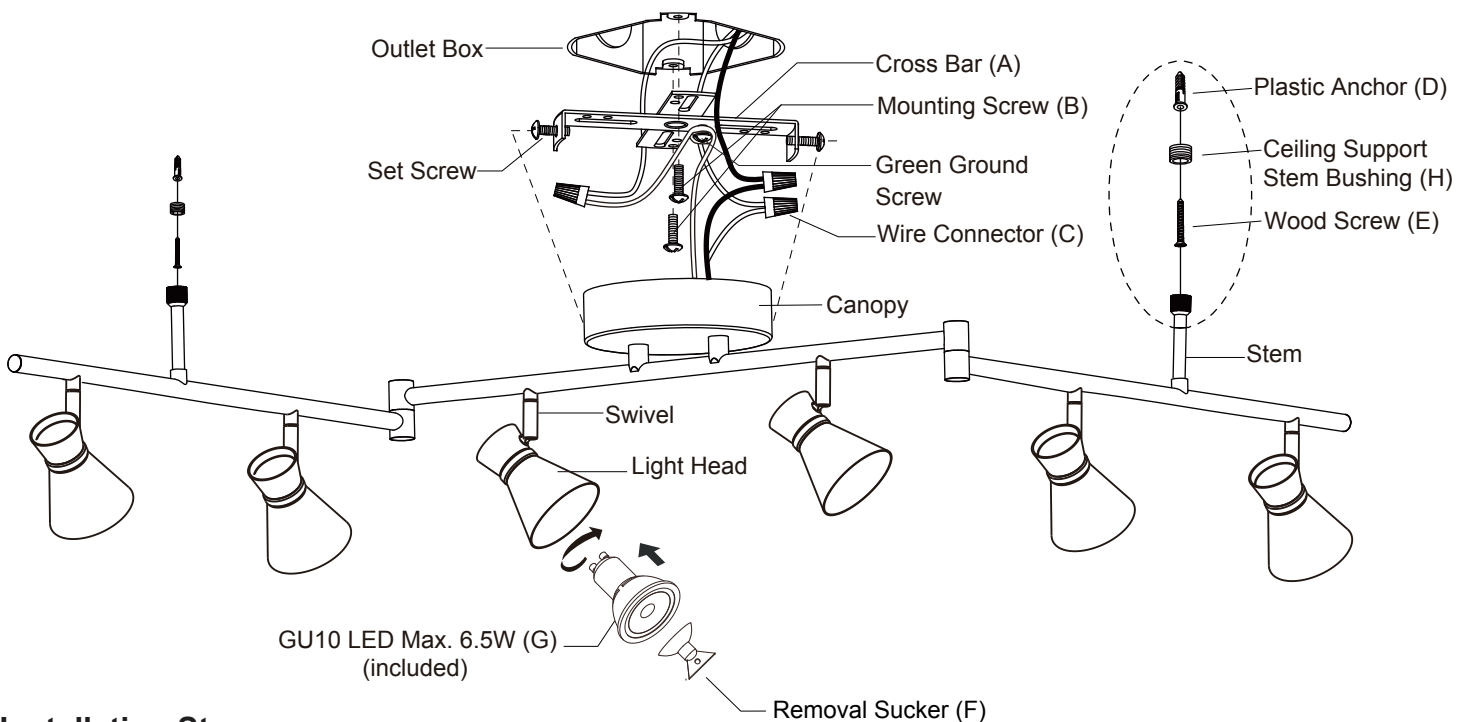
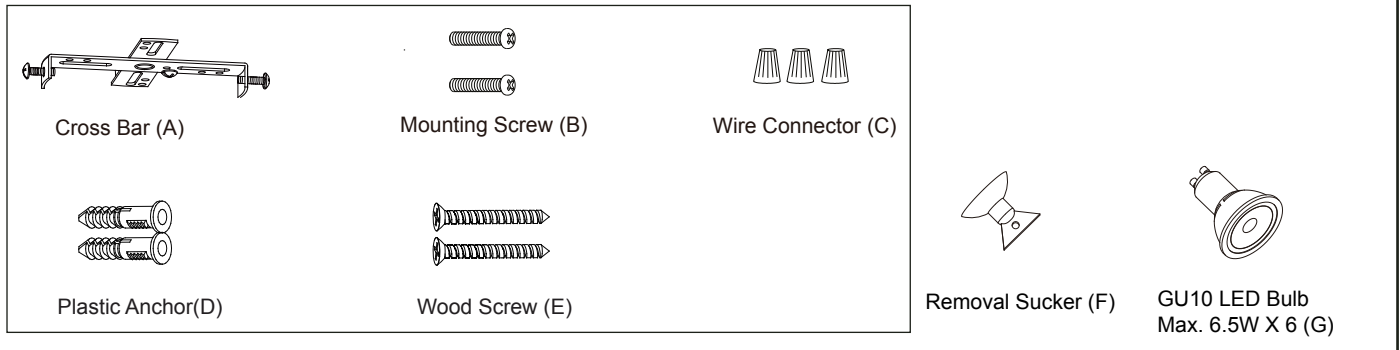
ASSEMBLY AND INSTALLATION INSTRUCTIONS

C0288

WARNING: TO AVOID RISK OF ELECTRICAL SHOCK, BE SURE TO SHUT OFF POWER BEFORE INSTALLING OR SERVICING THIS FIXTURE.

NOTES: 1. Before installing, consult local electrical codes for wiring and grounding requirements.
2. READ AND SAVE THESE INSTRUCTIONS.

Hardware Package (included):



Installation Steps

Turn off the power at fuse or circuit box

1. Attach the cross bar (A) to the outlet box by using two mounting screws (B).
2. Pull out the outlet wires and the house grounding wire from the outlet box. Make wire connections by using the wire connectors (C) as follows:
 - Connect the black (hot) wire from the fixture to the black (hot) wire from the power source.
 - Connect the white (neutral) wire from the fixture to the white (neutral) wire from the power source.
 - Attach the fixture ground wire to the cross bar (A) with the green ground screw, then connect it to the house ground wire with a wire connector (C).Carefully put the wires back into the outlet box.

 VAXCEL

3. Attach the canopy to the cross bar (A) by aligning holes, secure the set screws from the side hole of the canopy into the hole in the side of the cross bar (A), then tighten the set screws.
4. Make two desired stem positions and drill holes on the ceiling for stem on the track.
5. Attach two plastic anchor (D) to the drilled positions, then secure wood screw (E) through the ceiling support stem bushing (H) to the plastic anchor (D) on the ceiling.
6. Attach the stem to the ceiling support stem bushing (H) by aligning holes, then twist the stem to lock stem in place.
7. Attach the removal sucker (F) to the top surface of the bulb lens. Insert the bulb (G) into the socket using the removal sucker (F). Twist bulb to lock pins in place. Remove the removal sucker (F) from the bulb lens by pulling the knob of the removal sucker (F).

Caution: LED Bulb, Type MR GU10 base, maximum 25W X 6

Halogen Bulb, Type MR GU10 base, maximum 50W X 6

Notes: LED Dimmable bulb to be compatible with most LED Dimmers, recommended Lutron: MSCL-OP153MH, MACL-153MH, DVWCL-153PH, TGCL-153PH, SCL-153PH.

8. Follow step 7 of instructions of single light head installation for other five light heads.
9. Adjust the light head to a desired position by using the swivel.

Turn on the power at fuse or circuit box

The following parts are available for re-order if damaged or missing.

Spare Parts List:

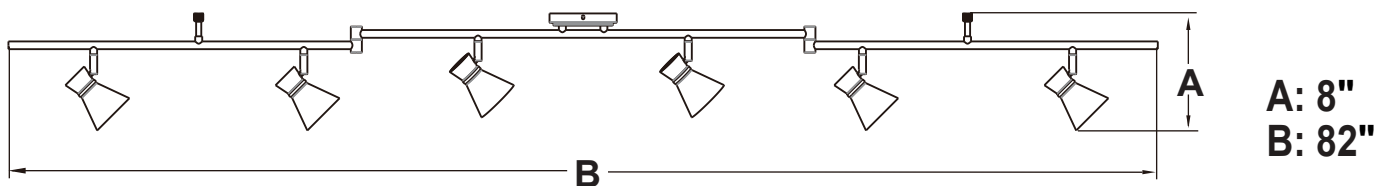
Cross Bar (A) Mounting Screw (B) Wire Connector (C)

Plastic Anchor (D) Wood Screw (E) Ceiling Support Stem Bushing (H)

Removal Sucker (F)
6070CP

GU10 LED Bulb Max. 6.5W (G)
8104 LED

Assembly Kit
6624MM (1SET)



1 Year Warranty

Vaxcel warrants all of our products against defects in workmanship and finishes for one year following the date of shipment.

Exclusions: This warranty does not include the failure of products from extreme acts of nature; environmental conditions not suited for the products intended use; operation in temperatures outside of the range specified in the instruction manual; usage with improper power supply, power surges or dips. For coastal locations, some corrosion is considered normal for the environment.

Vaxcel reserves the right to repair, replace or issue a credit for any properly installed product, provided it is returned per RMA instruction. This warranty is limited to the cost of the product only and does not extend to transportation, installation or replacement costs.

How can warranty service be obtained?

info@vaxcel.com

1-800-482-9235

