

SAFETY INFORMATION

Please read and understand this entire manual before attempting to assemble, install or operate the product.

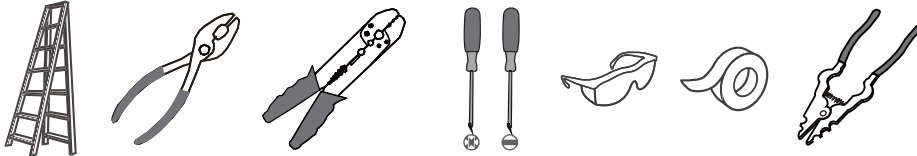
WARNING

- RISK OF ELECTRIC SHOCK - Before beginning installation, turn off electricity at the circuit breaker box or the main fuse box.
- RISK OF FIRE - Use bulbs specified by the markings and/or labels on the fixture.

CAUTION

- For your safety, read instructions completely before beginning installation.
- If in doubt about electrical installation, consult a licensed electrician.
- Turn off electricity to fixture before replacing the bulb(s).

TOOLS REQUIRED

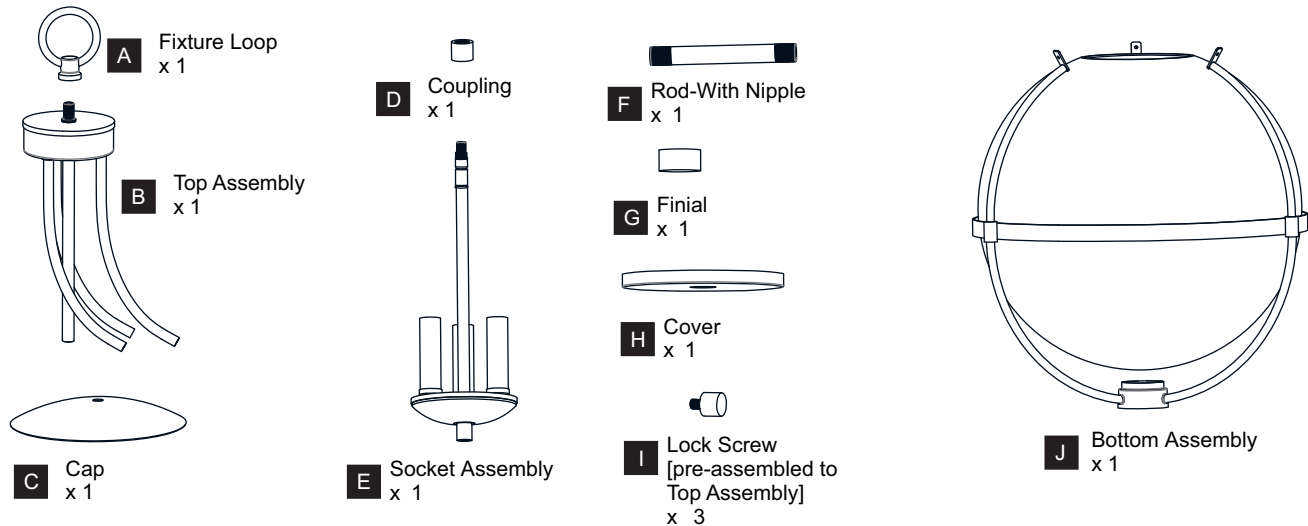


CARE AND MAINTENANCE

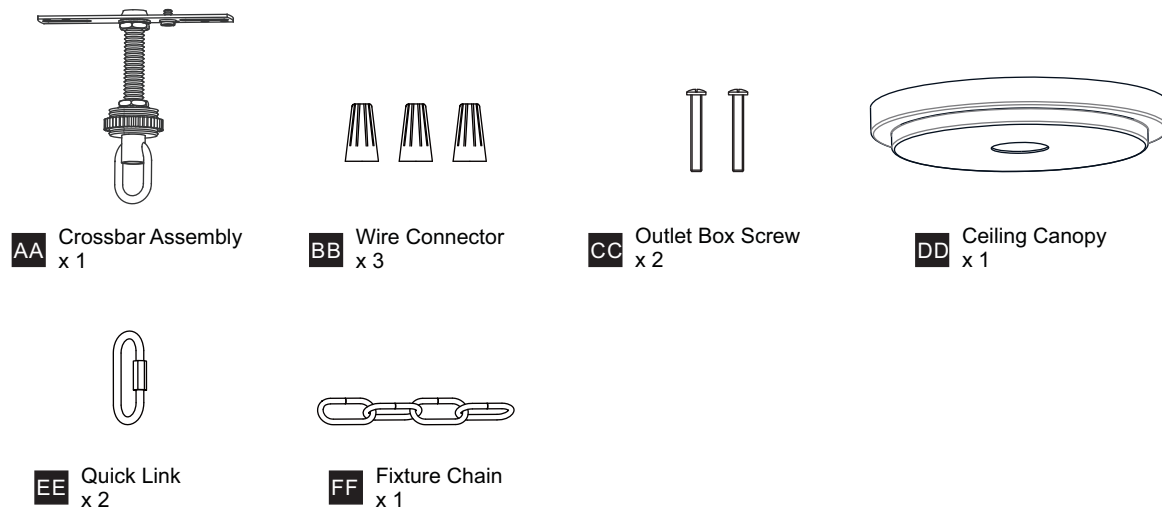
- Wipe clean using soft, dry cloth or static duster. Always avoid using harsh chemicals and abrasives to clean fixture as they may damage the finish.

If you need further assistance call Quoizel Customer Care at 1-800-645-3184 (9:00am - 5:00pm EST), or visit us on-line at www.quoizel.com.

PACKAGE CONTENTS



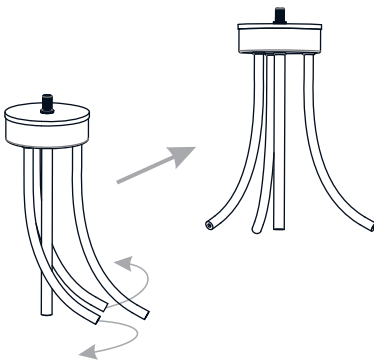
MOUNTING HARDWARE



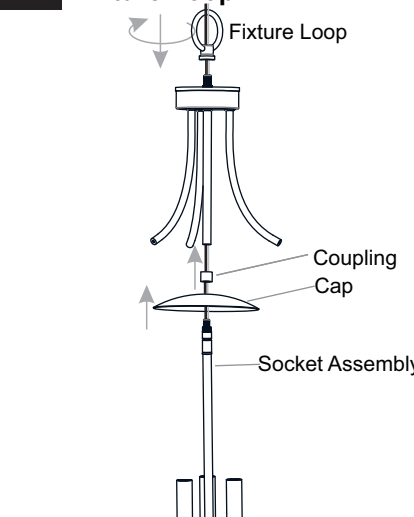
INSTALLATION

Quoizel recommended two people for this installation.

1 Unfold Support Arms

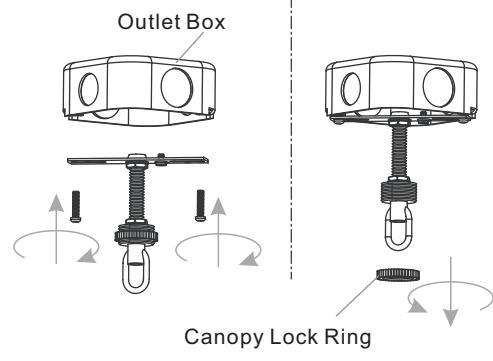


2 Install Socket Assembly and Fixture Loop



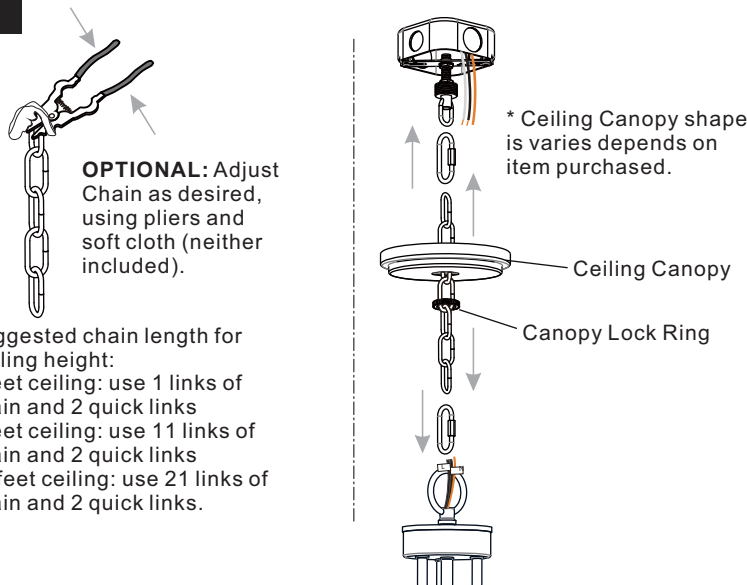
Labels: Fixture Loop, Coupling Cap, Socket Assembly

3 Install Glass Shade to Finial



Labels: Outlet Box, Canopy Lock Ring

4 Install Fixture Chain



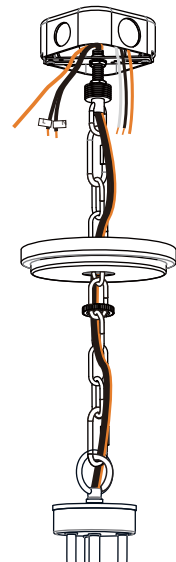
OPTIONAL: Adjust Chain as desired, using pliers and soft cloth (neither included).

Suggested chain length for Ceiling height:
8 feet ceiling: use 1 links of chain and 2 quick links
9 feet ceiling: use 11 links of chain and 2 quick links
10 feet ceiling: use 21 links of chain and 2 quick links.

* Ceiling Canopy shape is varies depends on item purchased.

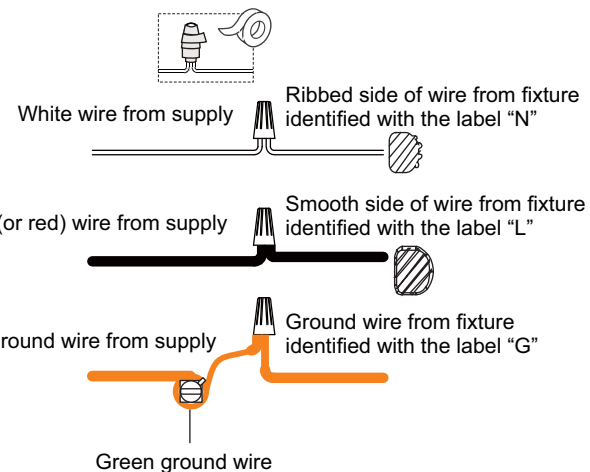
Labels: Ceiling Canopy, Canopy Lock Ring

5 Pull Supply Wires



Pull the supply wires with ground wire through the chain alternate links.

6 Wiring



White wire from supply

Ribbed side of wire from fixture identified with the label "N"

Black (or red) wire from supply

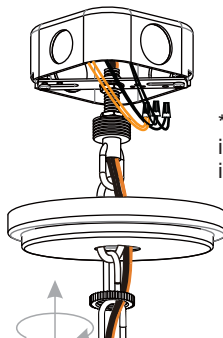
Smooth side of wire from fixture identified with the label "L"

Ground wire from supply

Green ground wire

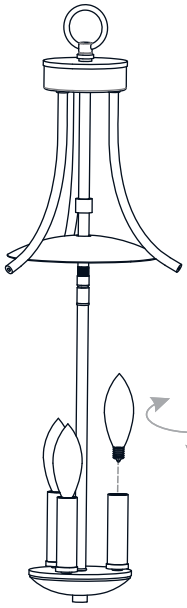
Ground wire from fixture identified with the label "G"

7 Install Ceiling Canopy



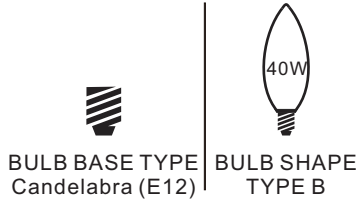
* Ceiling Canopy shape is varies depends on item purchased.

8 Install Bulbs

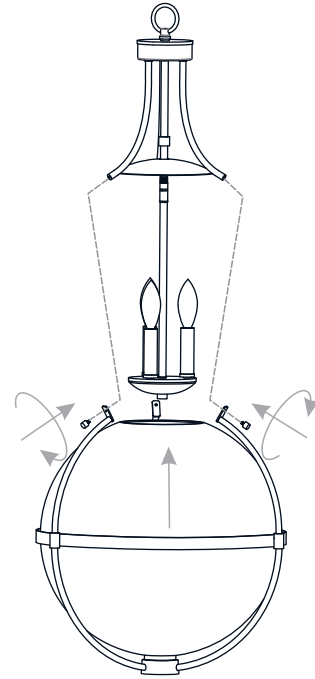


Install three correct bulbs referring to fixture markings and/or labels for maximum wattage.

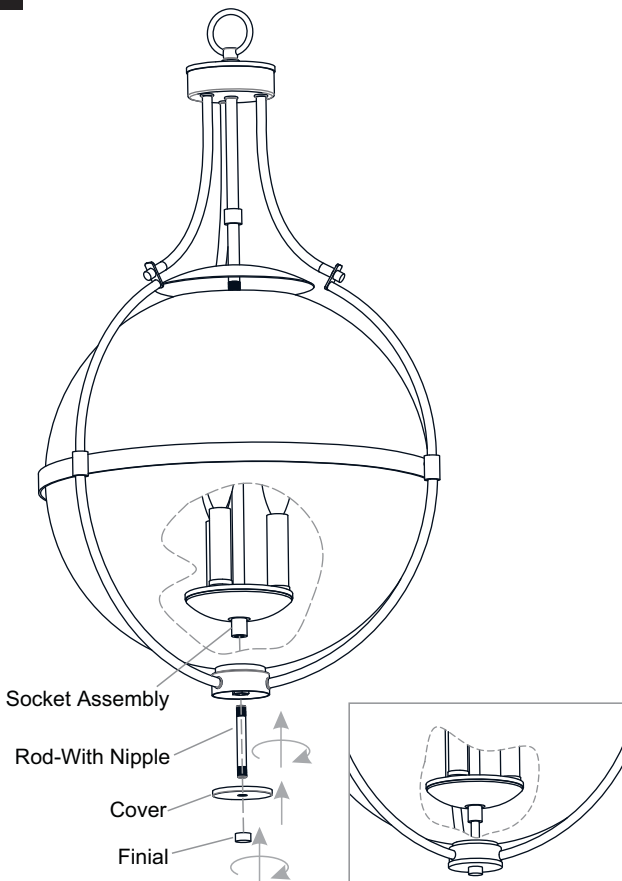
Recommended Bulb Type (not included):



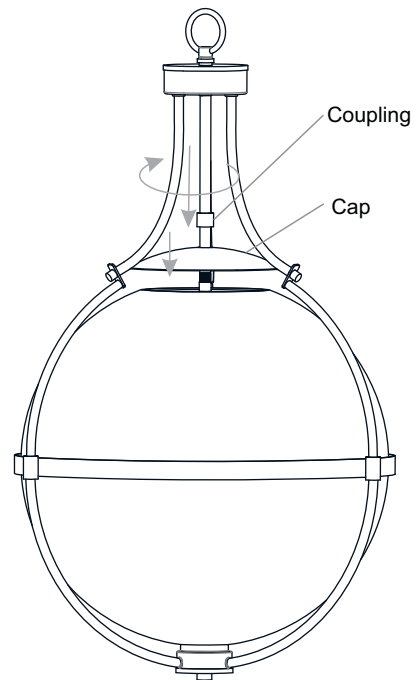
9 Install Bottom Assembly to Top Assembly



10 Install Rod-With Nipple to Socket Assmby



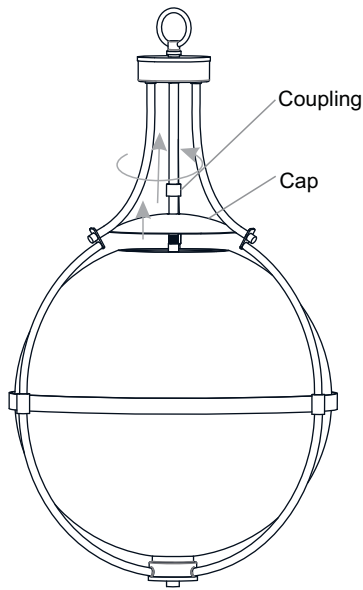
11 Install Cover to Coupling



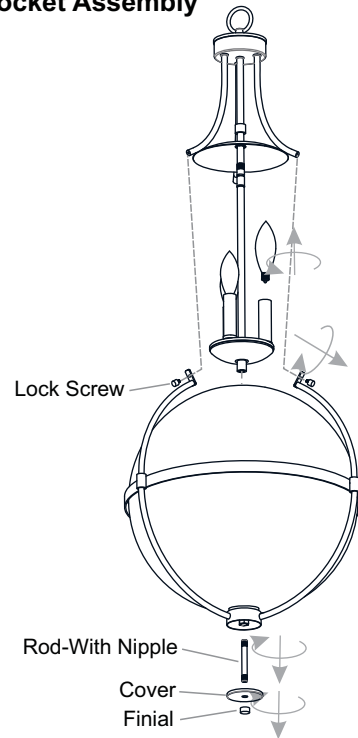
Your installation is now complete! Restore electricity and save this sheet for future reference.

HOW TO REPLACE BULB

1 Remove Coupling



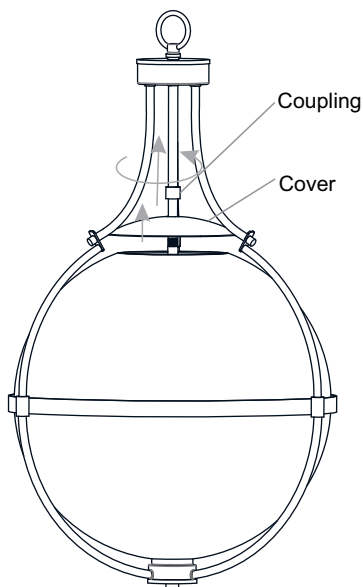
2 Remove Lock Screws, Rod-With Nipple and Socket Assembly



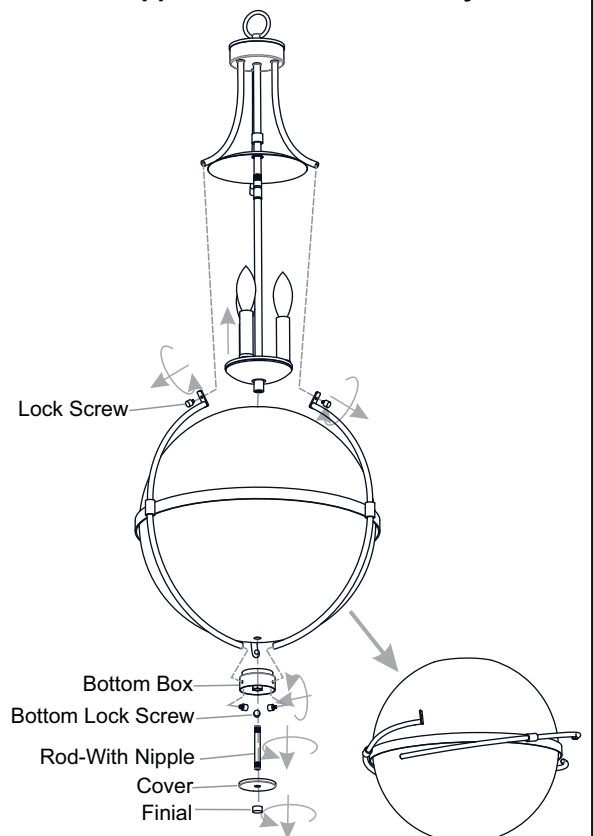
Reverse above steps to reinstall the replacement Glass panels onto fixture.

HOW TO REPLACE GLASS SHADE

1 Remove Coupling



2 Remove Lock Screws, Bottom Lock Screws Rod-With Nipple and Socket Assembly



Reverse above steps to reinstall the replacement Glass panels onto fixture.