



# Bi-Fold Lock Installation Instructions

## Contents

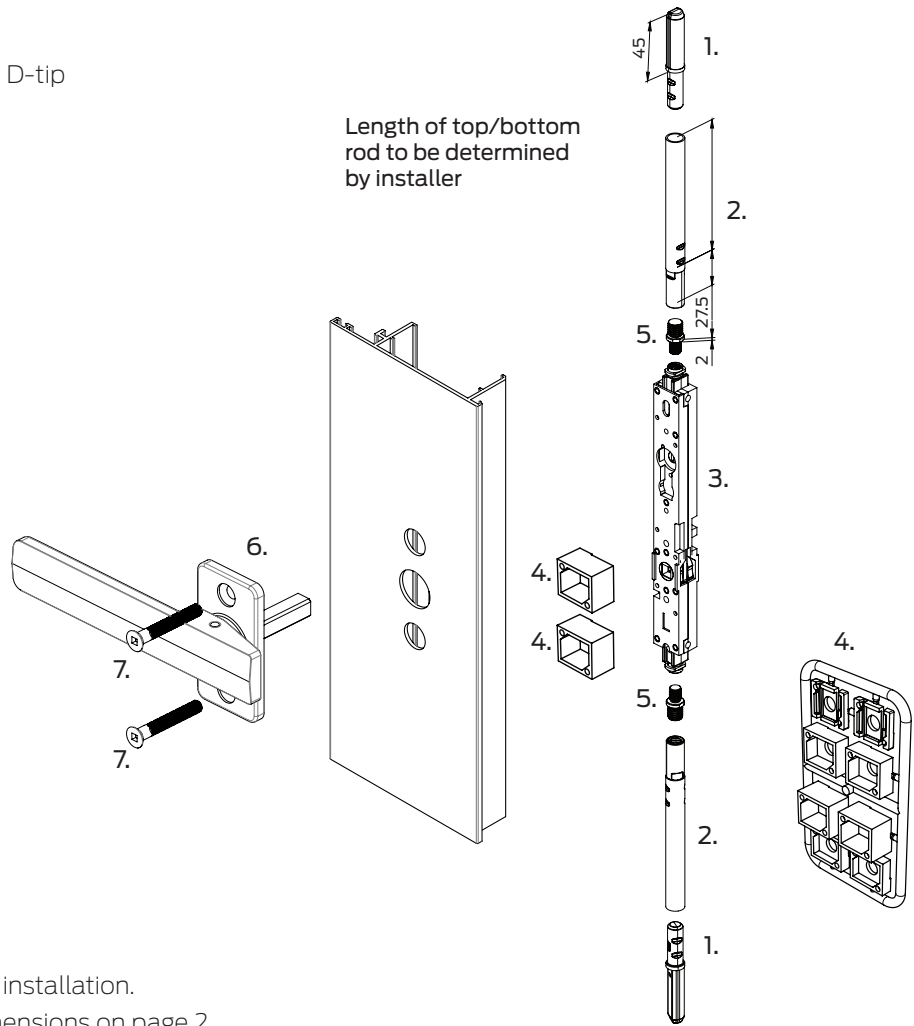
1. Nylon coated stainless steel D-tip
2. Vertical rod kit\*
3. Lock body
4. Packers
5. Rod Adapter
6. Bi-fold lock operator<sup>(1)</sup>
7. M5 fixing screws<sup>(2)</sup>

\* Sold separately - order sku: 4PT-RK25

## Tools Required

- Tape measure
- Power drill
- 10mm and 16mm drill bits
- Soft pencil
- #1 square drive screwdriver

(1) Refer to the Allegion Price Book for product codes  
(2) Included with Bi-fold lock operator



Read all steps before attempting installation.  
Routing instructions and lock dimensions on page 2.

## Lock Functions and Operation

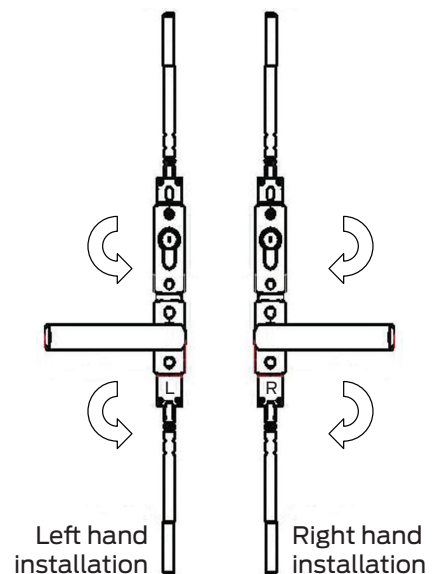
- Lock installation is handed. Look for the marking on the lock case, just below the handle location: "L" for left hand and "R" for right hand
- Left hand installation: The face marked with "L" should face inside
- Right hand installation: The face marked with "R" should face inside

Lock operation:

Open - handle horizontal position  
- vertical rods retracted

Locked - handle rotated 90 degrees downwards until it has reached vertical position  
- vertical rods extended

Deadlocked - with handle still in vertical position and vertical rods extended, rotate key same direction as the handle

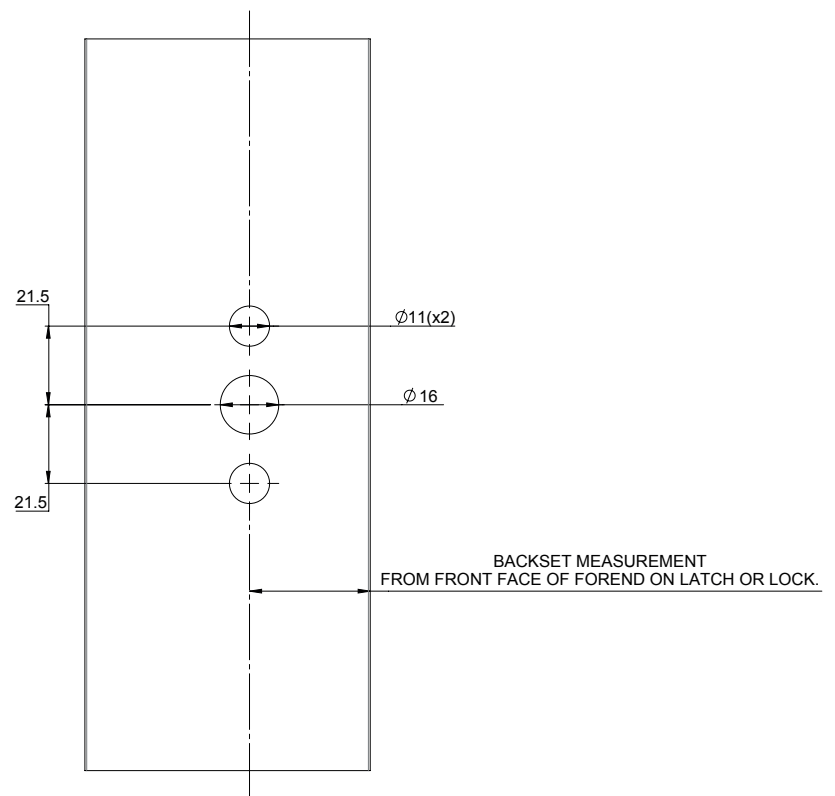


## Step 1: Door Preparation and Fitting Lock Assembly



Only make allowances to shoot bolt rods when the lock is in an unlocked status.

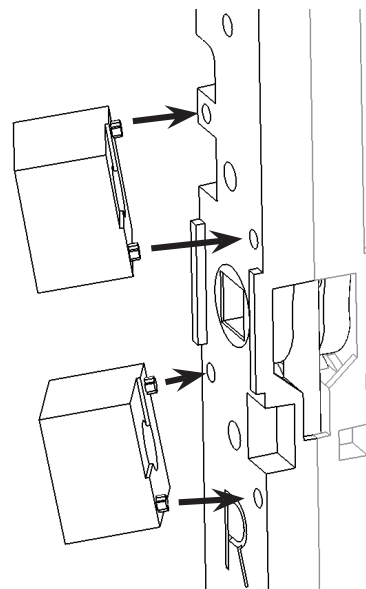
- 1.1 Prepare extrusions for the required installation
- 1.2 Adjust the length of top and bottom rods to suit door height. Allowance must be made for the length of the exposed "D" tips (46mm). For doors taller than 2.5 metres (up to 3.5 metres) an extension kit (4PT-RKEX) is required
- 1.3 Fit "D" tips into the rods and crimp the rods onto the D tip to ensure a secure fit
- 1.4 Screw the rod adaptor into the threaded ends of the lock and then screw the rod to the rod adaptor



Picture not to scale

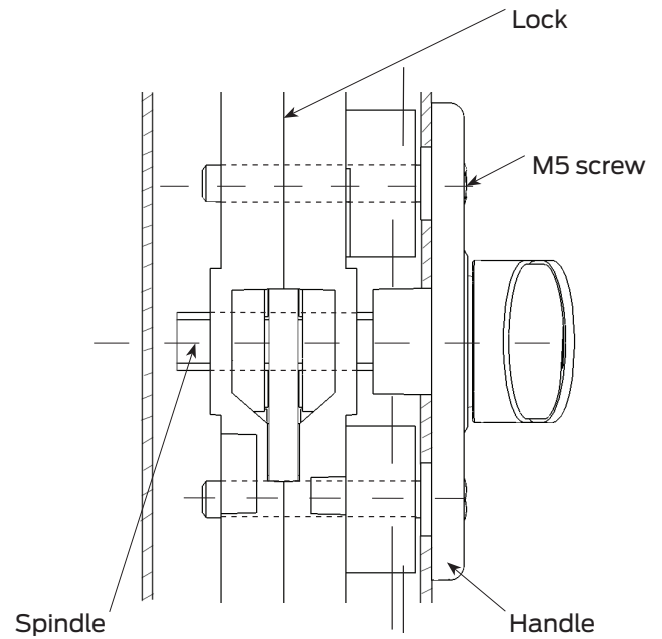
## Step 2: Mounting Lock

- 2.1 Select the packers to suit the size of the extrusion and clip them onto the lock body: for the left hand installation clip on the face marked with "L"; for right hand installation clip on the face marked with "R" as shown in Figure B
- 2.2 To centralise the lock body during installation another set of packers can be clipped on to the back of the lock
- 2.3 Position the lock assembly into the stile, with the handle fixing holes aligning with the predrilled holes in the stile

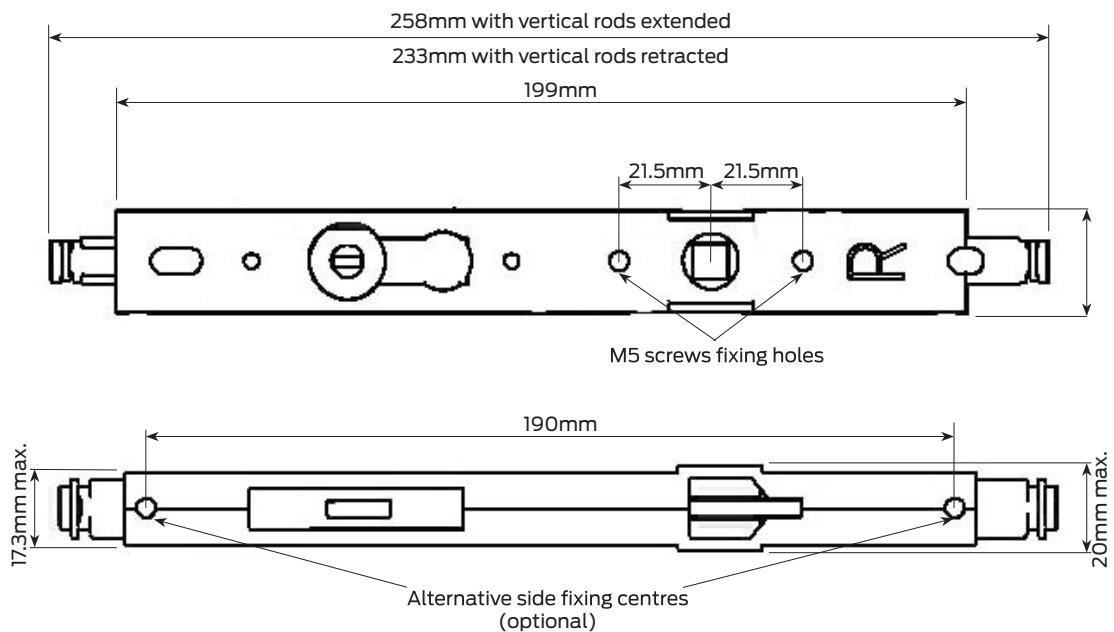


### Step 3: Fitting the Handle and Securing the Lock

- 3.1 Fit the handle with exposed square spindle inserted into the hub of the lock body.
- 3.2 Use the M5 fixing screws to secure the handle and the lock assembly.



### Lock Body Overall Dimensions



#### Allegion New Zealand

Freephone 0800 477 869  
Email [nzinfo@allegion.com](mailto:nzinfo@allegion.com)  
[www.allegion.co.nz](http://www.allegion.co.nz)



For more information visit  
[schlage.co.nz/verta](http://schlage.co.nz/verta)

PDSC0056

© 2024 Allegion

