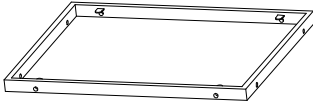


ASSEMBLY INSTRUCTIONS

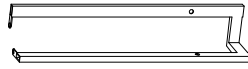
END TABLE WITH TEXTURED GLASS TOP

A Bottom Frame



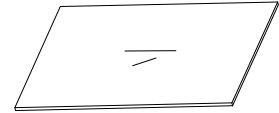
1pc

B Leg



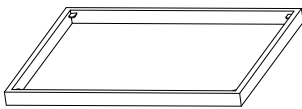
4pcs

C Glass Shelf



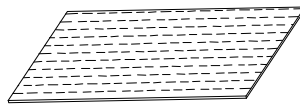
1pc

D Top Frame



1pc

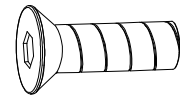
E Textured Glass Top



1pc

F Bolt

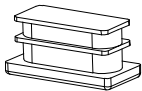
1/4" x 7/8"



8pcs

G End Cap

13 x 26mm



8pcs

H Glass Pad

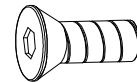
10 x 1mm



8pcs

I Bolt

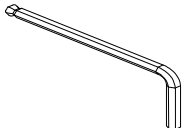
1/4" x 1/2"



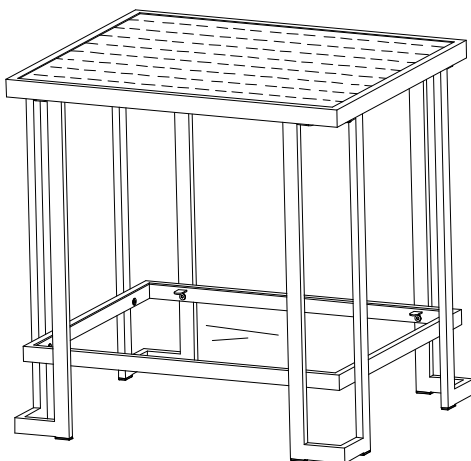
8pcs

J Allen Wrench

1/4"



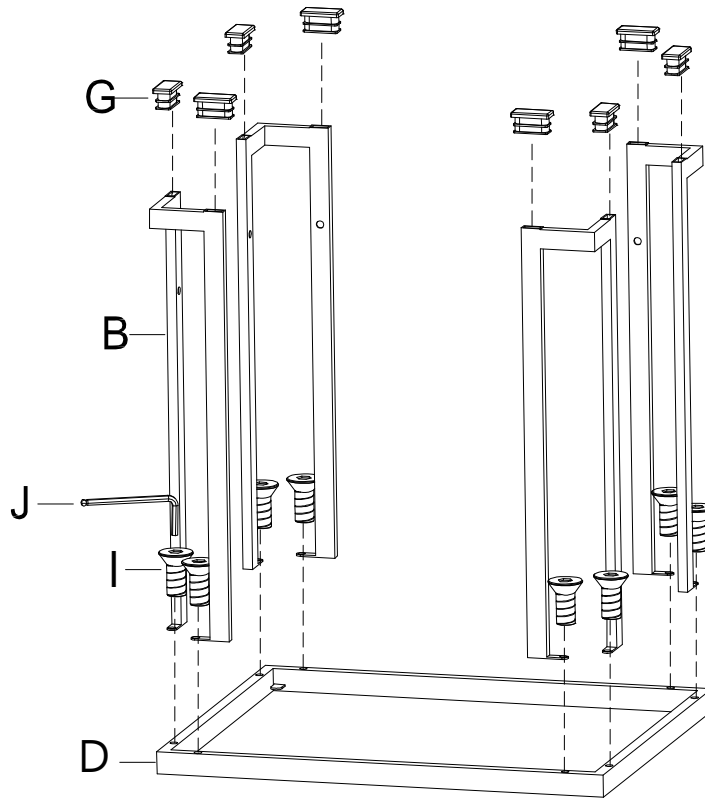
1pc



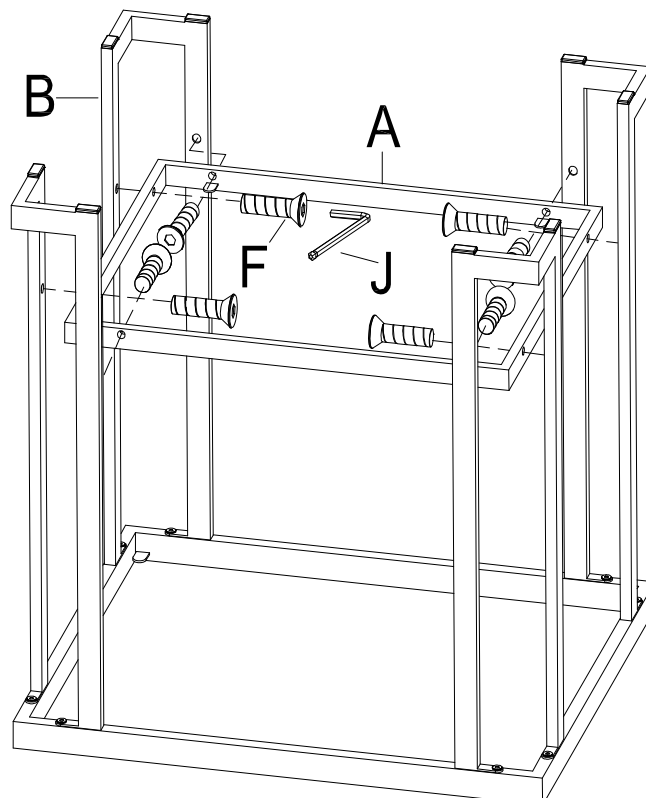
This page lists all the contents included in the box. Please take the time to identify the hardware as well as the individual components to this product. As you unpack and prepare for assembly, place the contents on a carpeted or padded area to protect them from damage.

***** Do not tighten screws & bolts until the entire unit is completely assembled.**

- 1** Attach the Leg (B) one by one to the Top Frame (D) using Bolt (I) with the Allen Wrench (J). Next, insert the End Cap (G) into the bottom of the Leg (B).

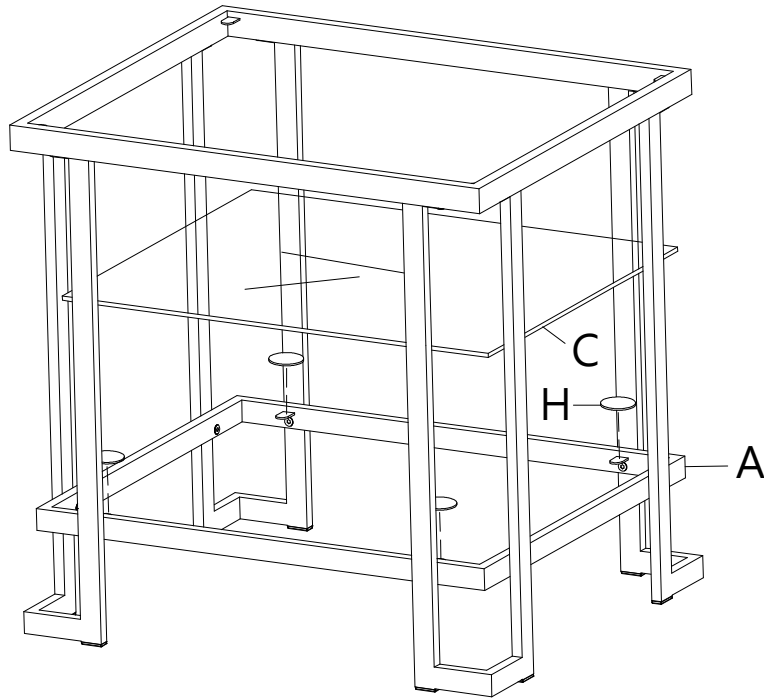


- 2** Attach the Bottom Frame (A) to the Leg (B) using Bolt (F) with the Allen Wrench (J).

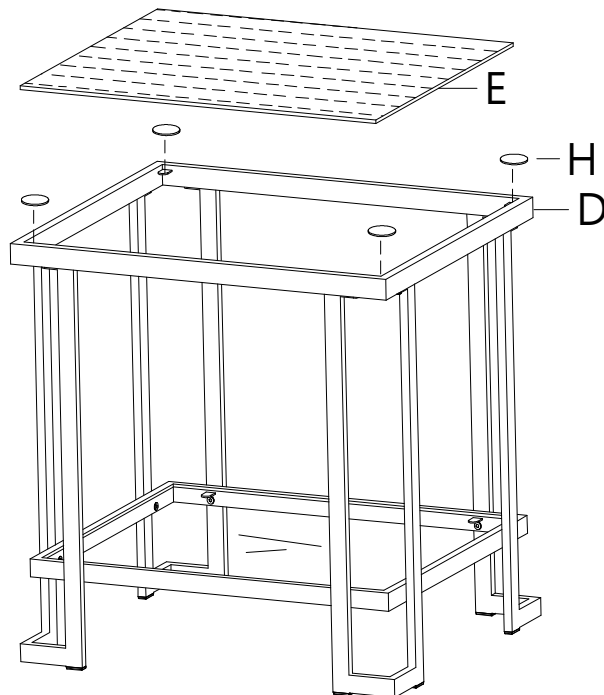


3

Stand the assembly unit upright. Place 4pcs of Glass Pad (H) onto the Bottom Frame (A), then carefully place the Glass Shelf (C) on top of the Bottom Frame (A).

**4**

Place 4pcs of Glass Pad (H) onto the Top Frame (D), then carefully place the Textured Glass Top (E) on top of the Top Frame (D).



Cleaning & Care

Treat surfaces with care. Surfaces are resistant to scratches but are not scratch resistant. Clean surfaces with a dry or damp soft cloth. Do not use abrasive cleaners. Hardware may loosen over time. Periodically check that all connections are tight.