

USB Receptacles - 15 A

Features

- Dual USB ports.
- Color and texture matches Lutron® dimmers.
- Wallplates available in a variety of colors and finishes.
- Tamper resistant.
- Side or back wire installation capable.
- 125 V~ only (U.S. style wallbox).
- Designer style receptacles (Claro® and Satin Colors®) can be ganged with other designer style devices.
- Architectural style receptacles (Nova T★®) can be ganged with other architectural style devices.

Model Numbers

Designer (Claro® and Satin Colors®)

CAR-15-UBTR-XX^{1,2} 15 A Claro® Receptacle

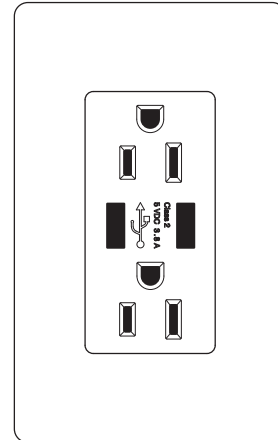
SCR-15-UBTR-YY^{1,3} 15 A Satin Colors® Receptacle

Architectural (Nova T★®)

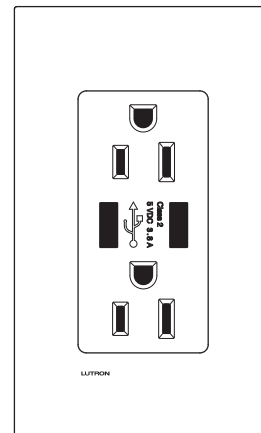
NTR-15-UBTR-ZZ^{4,5} 15 A Nova T★® Receptacle

15 A USB Receptacles

Designer (Claro® and Satin Colors®)



Architectural (Nova T★®)



¹ Wallplates ordered separately. For information on ordering wallplates, please visit www.lutron.com/en-US/Products/Pages/StandAloneControls/Wallplates-Accessories/WallplatesAccessories.aspx

² "XX" in model number represents Gloss finish. See page 5 for corresponding **Color/Finish Codes**.

³ "YY" in model number represents Satin Colors® finish. See page 5 for corresponding **Color/Finish Codes**.

⁴ "ZZ" in model number represents Architectural Matte finish. See page 6 for corresponding **Color/Finish Codes**.

⁵ Wallplates provided for single gang receptacles. For information on ordering multi-gang wallplates, please visit www.lutron.com/en-US/Products/Pages/StandAloneControls/Wallplates-Accessories/WallplatesAccessories.aspx

Job Name:

Model Numbers:

Job Number:

Specifications

Regulatory Approvals

- Lutron® Quality Systems registered to ISO 9001:2008.
- All receptacles comply with UL498
- USB receptacle complies with UL1310

Ratings

- 15 A 125 V~ 60 Hz
- USB 3.8 A* 5 V== dual output Type A 2.0 (3.8 A is the combined output of both ports)
- Dielectric withstand: 1500 V~ for 1 minute
- Off state power consumption: 0.1 W
- USB ports: Rated for minimum 10,000 insertions and removals
- Complies with battery charging specification BC1.2
- Compatible with USB 1.1/2.0/3.0 devices

Terminals

- Each terminal accepts up to two 14 AWG to 10 AWG (1.5 mm² to 6.0 mm²) wires.
- Side or back wire installation capable.
- Solid or stranded wires.
- Copper wires only.

Environment

- Ambient operating temperature: 32 °F to 104 °F (0 °C to 40 °C)
- Maximum 90% non-condensing relative humidity
- Indoor use only

Mounting

- Minimum wallbox dimensions: 3 in (76 mm) H x 2 in (51 mm) W x 2.5 in (64 mm) D.

* Charging certain combinations of devices from the USB ports, may result in currents greater than the 3.8 A product rating.

<p>Job Name:</p> <p>Job Number:</p>	<p>Model Numbers:</p>
--	------------------------------

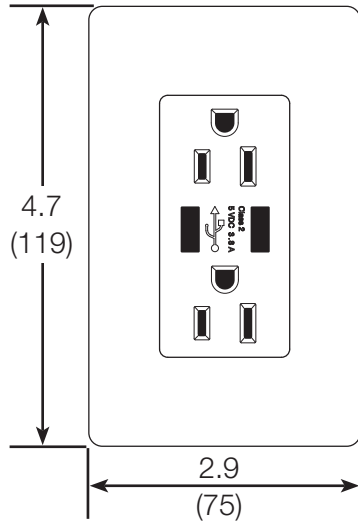
Dimensions

Measurements shown as: in (mm)

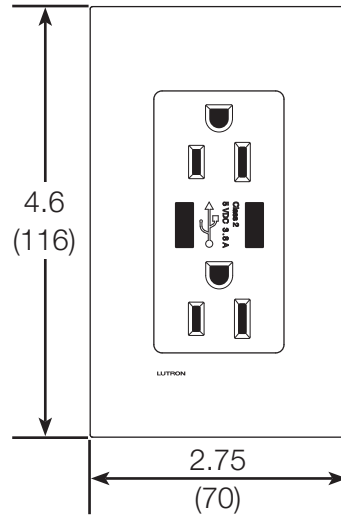
Designer (Claro® and Satin Colors®)

Architectural (Nova T☆®)

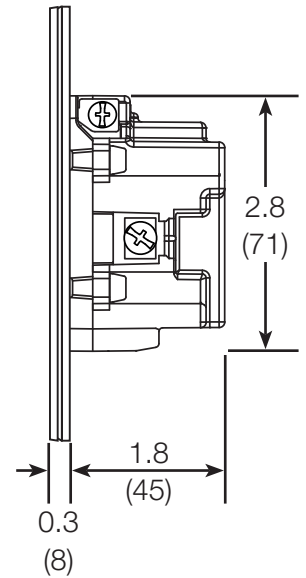
Front



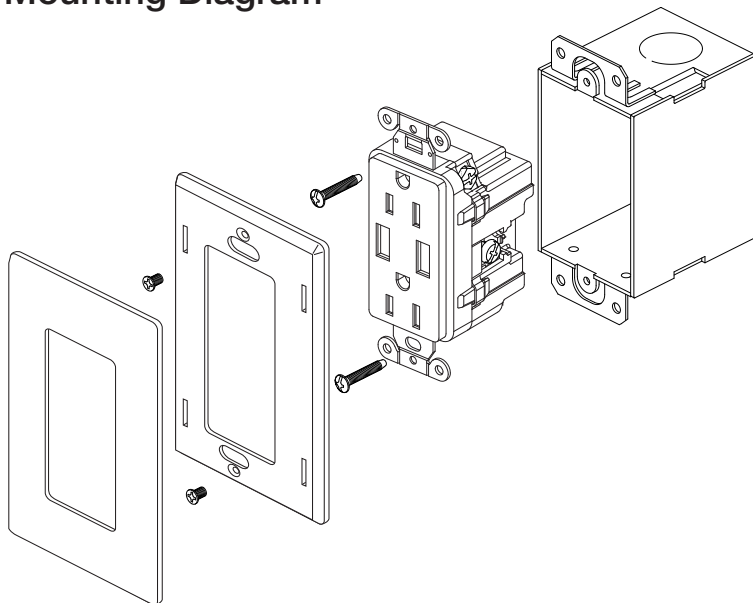
Front



Side

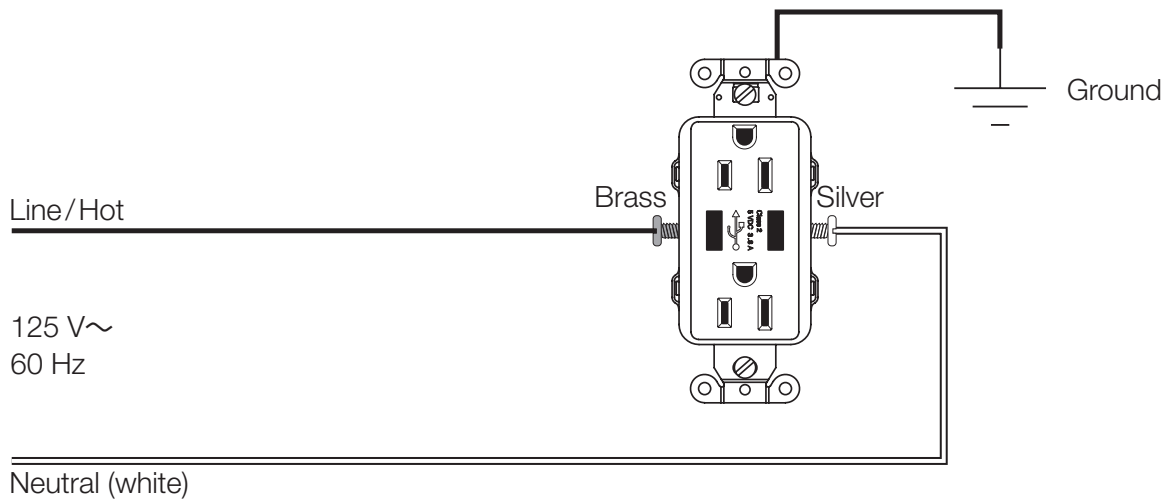


Mounting Diagram



Job Name:	Model Numbers:
Job Number:	

Wiring Diagram



Note: Top and bottom receptacles cannot be split apart into independent Line Hot and Switched Hot connections.

Job Name:	Model Numbers:
Job Number:	

Colors and Finishes

Designer Colors

Gloss



White
WH



Ivory
IV

Satin Colors®



Hot
HT



Merlot
MR



Plum
PL



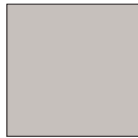
Turquoise
TQ



Almond
AL



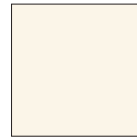
Light Almond
LA



Taupe
TP



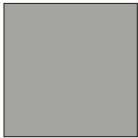
Eggshell
ES



Biscuit
BI



Snow
SW



Gray
GR



Brown
BR



Palladium
PD



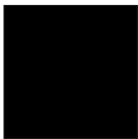
Midnight
MN



Sienna
SI



Terracotta
TC



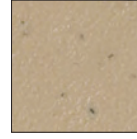
Black
BL



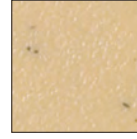
Greenbriar
GB



Bluestone
BG



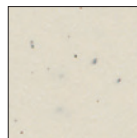
Mocha Stone
MS



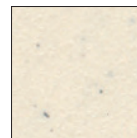
Goldstone
GS



Desert Stone
DS



Stone
ST



Limestone
LS

- Due to printing limitations, colors and finishes shown cannot be guaranteed to perfectly match actual product colors.
- Color chip keychains are available for more precise color matching:

Gloss Finishes: DG-CK-1

Satin Finishes: SC-CK-1

Continued on next page...

<p>Job Name:</p> <p>Job Number:</p>	<p>Model Numbers:</p>
--	------------------------------

Colors and Finishes *(continued)*

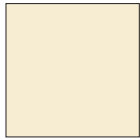
Architectural Matte Finishes



White
WH



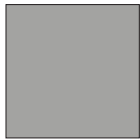
Ivory
IV



Almond
AL



Light Almond
LA



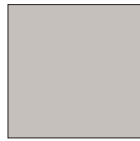
Gray
GR



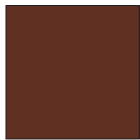
Brown
BR



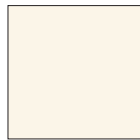
Black
BL



Taupe
TP



Sienna
SI



Beige
BE

- Due to printing limitations, colors and finishes shown cannot be guaranteed to perfectly match actual product colors.
- Color chip keychains are available for more precise color matching:
Architectural Matte Finishes: AM-CK-1

Job Name:	Model Numbers:
Job Number:	