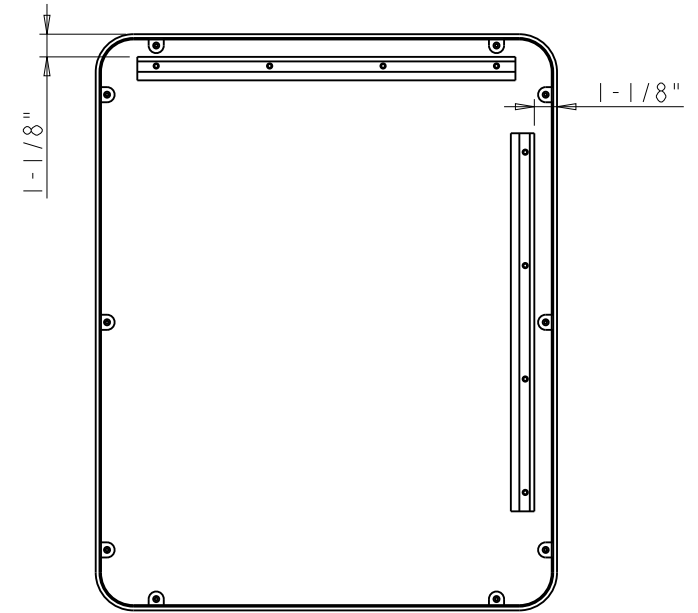


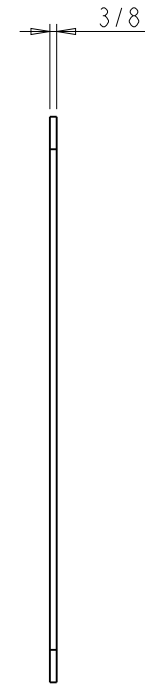
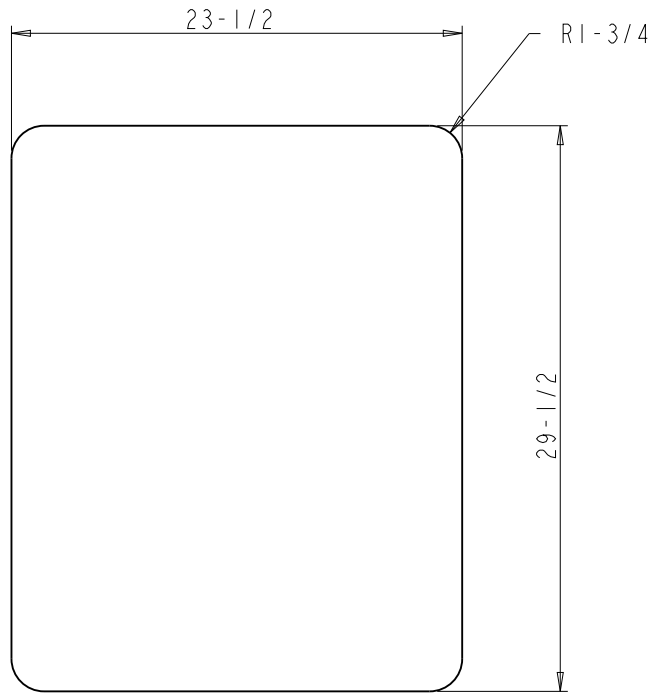


SECTION A-A




Item	Finish
VMIR-METR-24BG	Brushed Gold
VMIR-METR-24MB	Matte Black
VMIR-METR-24SBZ	Satin Bronze
VMIR-METR-24SN	Satin Nickel

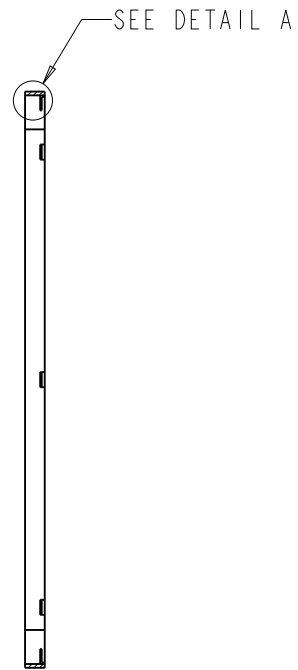
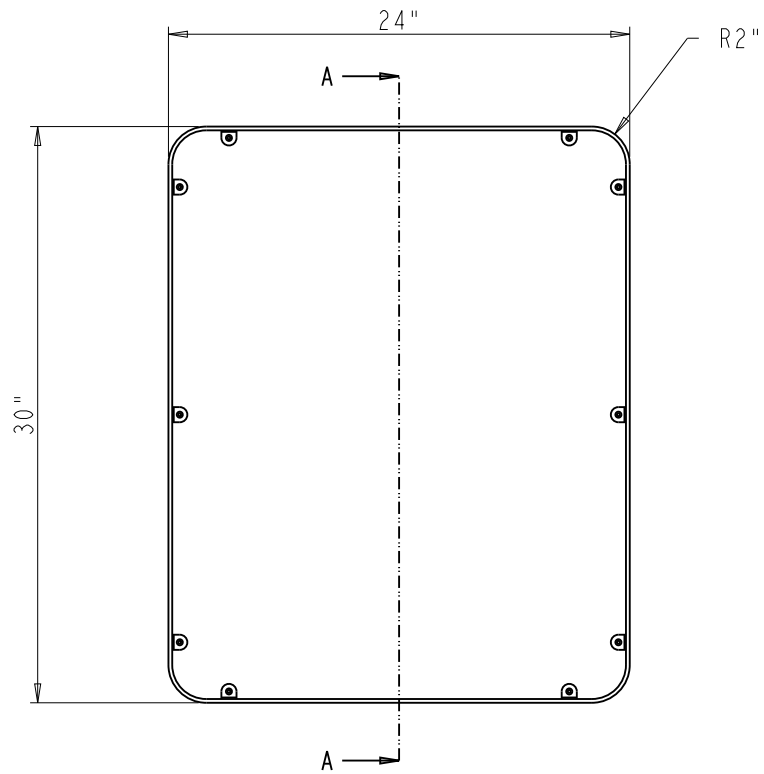
	ITEM#: VMIR-METR-24		MATERIAL:	
	FINISH:		WEIGHT:	
<p>PROPRIETARY AND CONFIDENTIAL</p> <p>THE INFORMATION CONTAINED IN THIS DRAWING IS THE SOLE PROPERTY OF HARDWARE RESOURCES INC. ANY REPRODUCTION IN PART OR AS A WHOLE WITHOUT THE WRITTEN PERMISSION OF HARDWARE RESOURCES INC. IS PROHIBITED.</p> <p>DO NOT SCALE DRAWING</p>	UNITS:		DRAWN BY:	DATE:
	TOLERANCE UNLESS OTHERWISE SPECIFIED:		Hugo.cai	
	X ±0.20		APPROVED BY:	Feb-23-23
	X.X ±0.10		DATE:	
X.XX ±0.05		REVISION:		
ANGULAR: ±0.5°		RELEASE LEVEL:		
PROJECTION 		SHEET:		



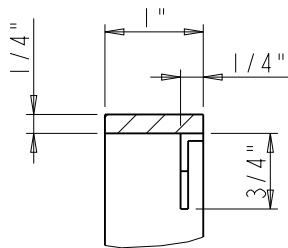
Note:

Material: MDF

 PROPRIETARY AND CONFIDENTIAL THE INFORMATION CONTAINED IN THIS DRAWING IS THE SOLE PROPERTY OF HARDWARE RESOURCES INC. ANY REPRODUCTION IN PART OR AS A WHOLE WITHOUT THE WRITTEN PERMISSION OF HARDWARE RESOURCES INC. IS PROHIBITED.	ITEM#: VMIR-METR-24-BACK-BOARD		MATERIAL:		
	FINISH:		WEIGHT:		
	TOLERANCE UNLESS OTHERWISE SPECIFIED: X ±0.20 X.X ±0.10 X.XX ±0.05 ANGULAR: ±0.5°		UNITS:	DRAWN BY: <i>Hugo.cai</i>	DATE: Feb-24-23
	DO NOT SCALE DRAWING		SIZE:	APPROVED BY:	DATE:
		SHEET:	RELEASE LEVEL:	REVISION:	




SECTION A-A

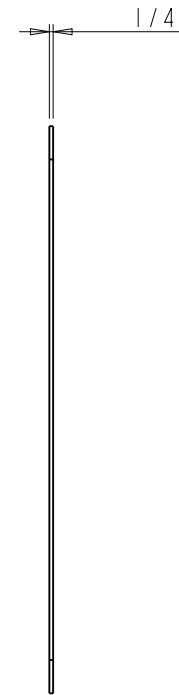
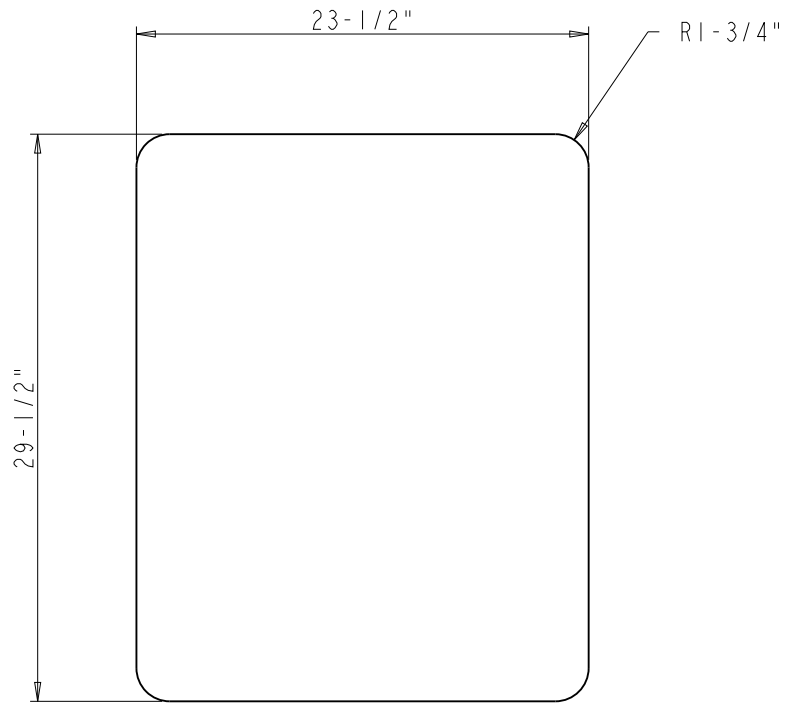



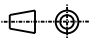
DETAIL A
SCALE 1:2

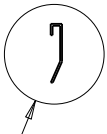
NOTE:

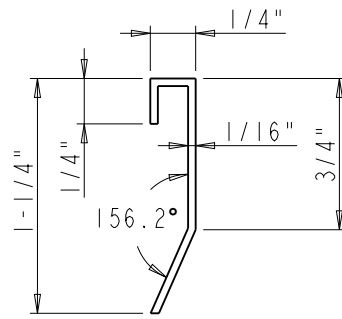
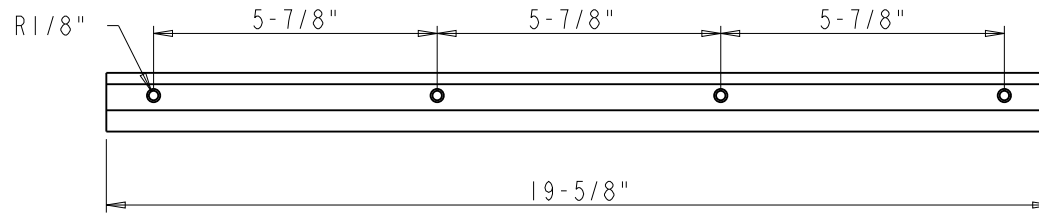
MATERIAL: Iron

	ITEM#: VMIR-METR-24-FRAME		MATERIAL:	
	FINISH:		WEIGHT:	
<p>PROPRIETARY AND CONFIDENTIAL</p> <p>THE INFORMATION CONTAINED IN THIS DRAWING IS THE SOLE PROPERTY OF HARDWARE RESOURCES INC. ANY REPRODUCTION IN PART OR AS A WHOLE WITHOUT THE WRITTEN PERMISSION OF HARDWARE RESOURCES INC. IS PROHIBITED.</p> <p>DO NOT SCALE DRAWING</p>	UNITS:		DRAWN BY:	DATE:
	TOLERANCE UNLESS OTHERWISE SPECIFIED:		<i>Hugo.cai</i>	
	X ±0.20 X.X ±0.10 X.XX ±0.05 ANGULAR: ±0.5°		APPROVED BY:	DATE:
	SIZE:	RELEASE LEVEL:	REVISION:	
SHEET:		PROJECTION		9



	ITEM#: VMIR-METR-24-MIRROR		MATERIAL:		
	FINISH:		WEIGHT: 9		
<p>PROPRIETARY AND CONFIDENTIAL</p> <p>THE INFORMATION CONTAINED IN THIS DRAWING IS THE SOLE PROPERTY OF HARDWARE RESOURCES INC. ANY REPRODUCTION IN PART OR AS A WHOLE WITHOUT THE WRITTEN PERMISSION OF HARDWARE RESOURCES INC. IS PROHIBITED.</p> <p>DO NOT SCALE DRAWING</p>	TOLERANCE UNLESS OTHERWISE SPECIFIED:		UNITS:		
	X ±0.20		DRAWN BY: <i>Hugo.cai</i>		
	X.X ±0.10		APPROVED BY:		
	X.XX ±0.05		DATE: Feb-24-23		
ANGULAR: ±0.5°		SHEET:		RELEASE LEVEL:	
DATE: Feb-24-23		REVISION:		PROJECTION 	


SEE DETAIL A 



DETAIL A
SCALE 1:1

Note:

Material: Iron

 <p>PROPRIETARY AND CONFIDENTIAL</p> <p>THE INFORMATION CONTAINED IN THIS DRAWING IS THE SOLE PROPERTY OF HARDWARE RESOURCES INC. ANY REPRODUCTION IN PART OR AS A WHOLE WITHOUT THE WRITTEN PERMISSION OF HARDWARE RESOURCES INC. IS PROHIBITED.</p>	ITEM#: VMIR-METC-30-BRACKET		MATERIAL:		
	FINISH:		WEIGHT: 9		
	TOLERANCE UNLESS OTHERWISE SPECIFIED: X ±0.20 X.X ±0.10 X.XX ±0.05 ANGULAR: ±0.5°		UNITS:	DRAWN BY: <i>Hugo.cai</i>	DATE: Feb-23-23
	DO NOT SCALE DRAWING		SIZE:	APPROVED BY:	DATE:
		SHEET:	RELEASE LEVEL:	REVISION:	