






HEKMAN®

A HOWARD MILLER COMPANY

23864 SINGLE NIGHT STAND

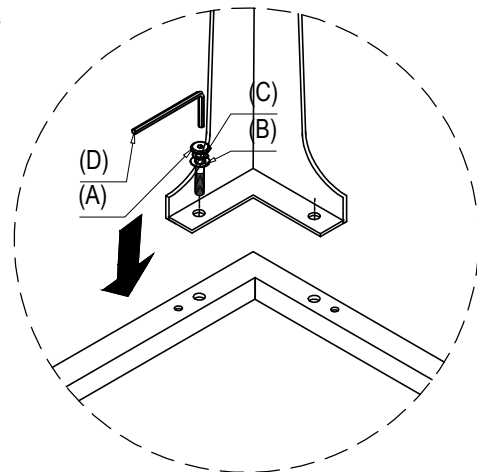
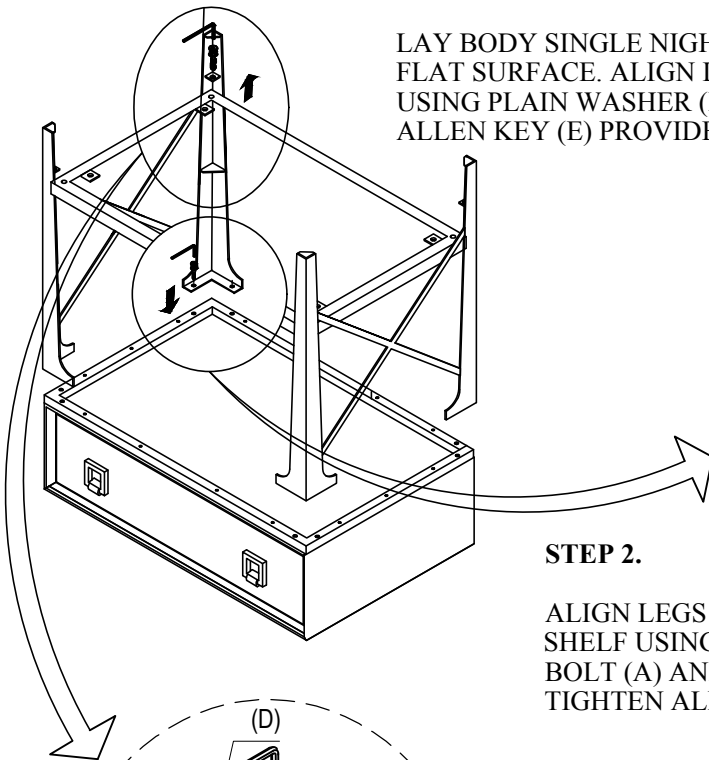
Hardware List

A	B	C	D	
ALLEN BOLT M6 X 20 (12 PCS.)	FLAT W. M6 12 PCS.	SPRING W. M6 12 PCS.	ALLEN KEY L4 (FOR ALLEN BOLT) 1 PC.	
				

Assembly Instruction

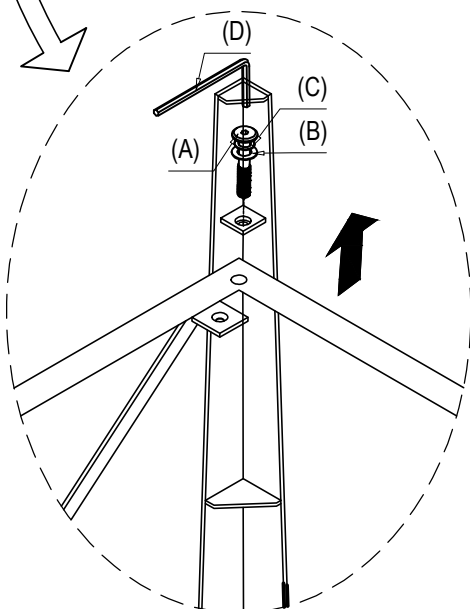
STEP 1.

LAY BODY SINGLE NIGHTSTAND UPSIDE DOWN ON A SOFT, CLEAN AND FLAT SURFACE. ALIGN LEGS TO HOLES ON CORNER AND CONNECT USING PLAIN WASHER (B), SPRING WASHER (C), ALLEN BOLT (A) AND ALLEN KEY (E) PROVIDED.



STEP 2.

ALIGN LEGS TO HOLES ON CORNER AND CONNECT BOTTOM SHELF USING PLAIN WASHER (B), SPRING WASHER (C), ALLEN BOLT (A) AND ALLEN KEY (E) PROVIDED. TIGHTEN ALL.



STEP 3

PUT THE GLASS SHELF ON MIDDLE LEGS.

