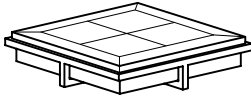


# ASSEMBLY INSTRUCTION

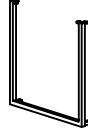
## SQUARE END TABLE

**A** Table Top



1 PC

**B** Leg



2 PCS

**C** Rail



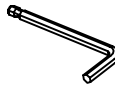
2 PCS

**D** Bolt  
1/4" x 5/8"

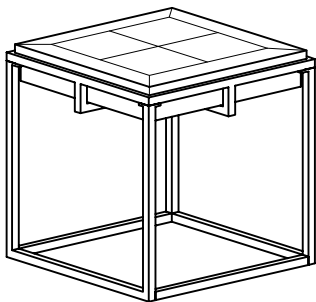


12 PCS

**E** Allen Key  
M4

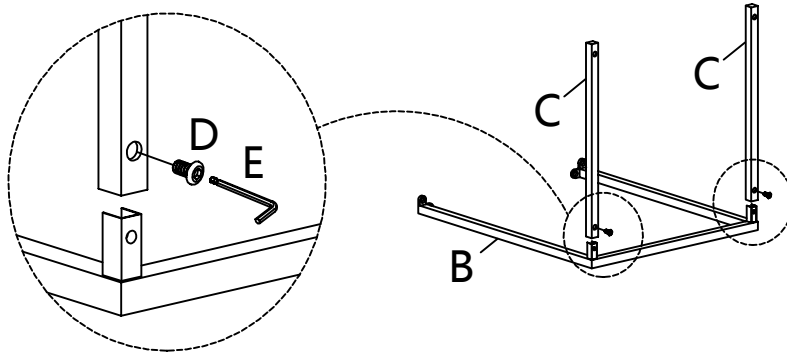


1 PC

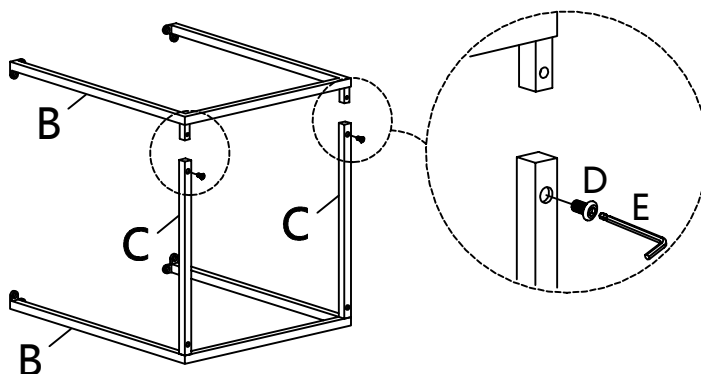


This page lists all the contents included in the box. Please take the time to identify the hardware as well as the individual components to this product. As you unpack and prepare for assembly, place the contents on a carpeted or padded area to protect them from damage.

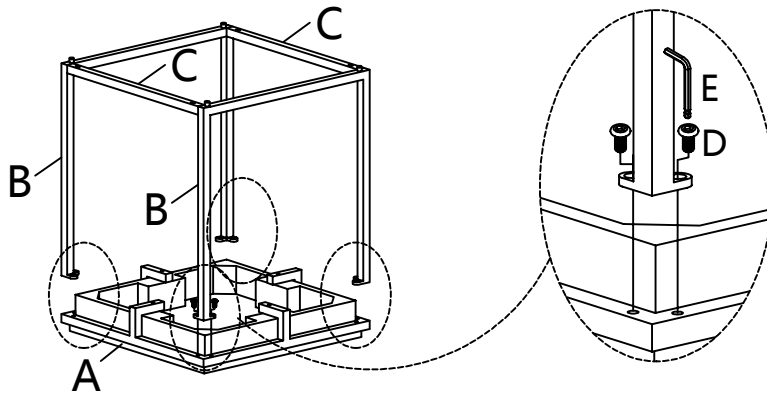
- 
- 1** Insert Rail (C) to Leg (B) using Bolt (D) with Allen Key (E).  
**Note: Do not fully tighten the bolts at this step.**



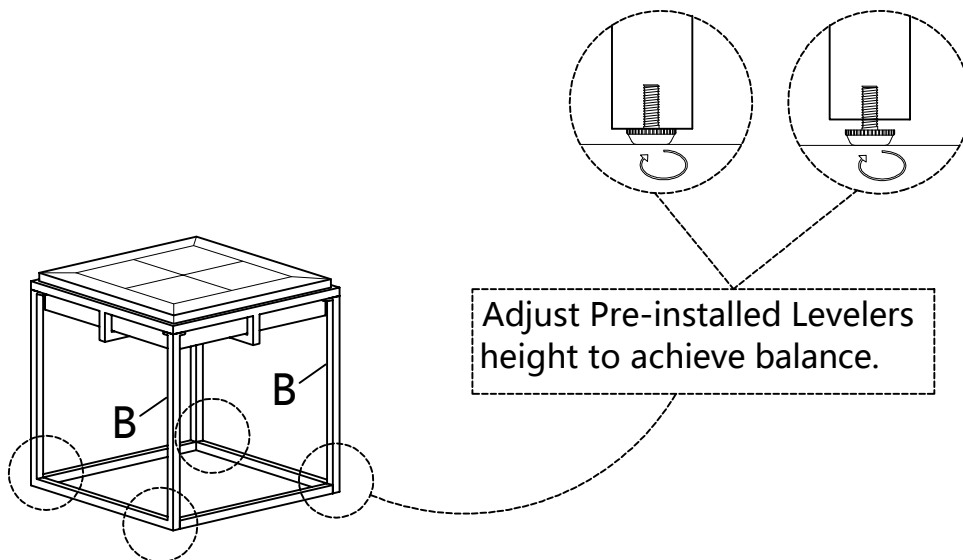
- 
- 2** Insert Leg (B) to Rail (C) using Bolt (D) with Allen Key (E).  
**Note: Do not fully tighten the bolts at this step.**



- 3** Attach assembled metal base to bottom of Table Top (A) using Bolt (D) with Allen Key (E).  
**Note: Fully tighten all bolts at this step.**



- 4** With assistance from your adult partners, turn the Table right way up. Adjust the Pre-installed Levelers on the bottom of Leg (B) until the Table is level with the ground.



### Cleaning & Care

Treat surfaces with care. Surfaces are resistant to scratches but are not scratch resistant. Clean surfaces with a dry or damp soft cloth. Do not use abrasive cleaners. Hardware may loosen over time. Periodically check that all connections are tight.