

BRIZO®

MULTI-FUNCTION SHOWER HEAD

■ 4-Function Shower Head

FEATURES:

- H₂Okinetic® Technology

STANDARD SPECIFICATIONS:

- Max flow rate 1.75 gpm @ 80 psi, 6.6 L/min @ 550 kPa (87435-▲, 87442-▲, 87461-▲)
- Max flow rate 2.5 gpm @ 80 psi, 9.5 L/min @ 550 kPa (87435-▲-2.5, 87442-▲-2.5, 87461-▲-2.5)
- Shower head has 1/2"-14 NPSM female connection
- Wrench flats for tightening
- Shower head ball nut pivots, rotates and provides extra thread coverage
- Lever function control
- 4 Spray patterns: Invigorating H₂Okinetic® Spray, Full-body H₂Okinetic® Spray, Massage Spray & Pause. Pause is a non-positive shut-off.

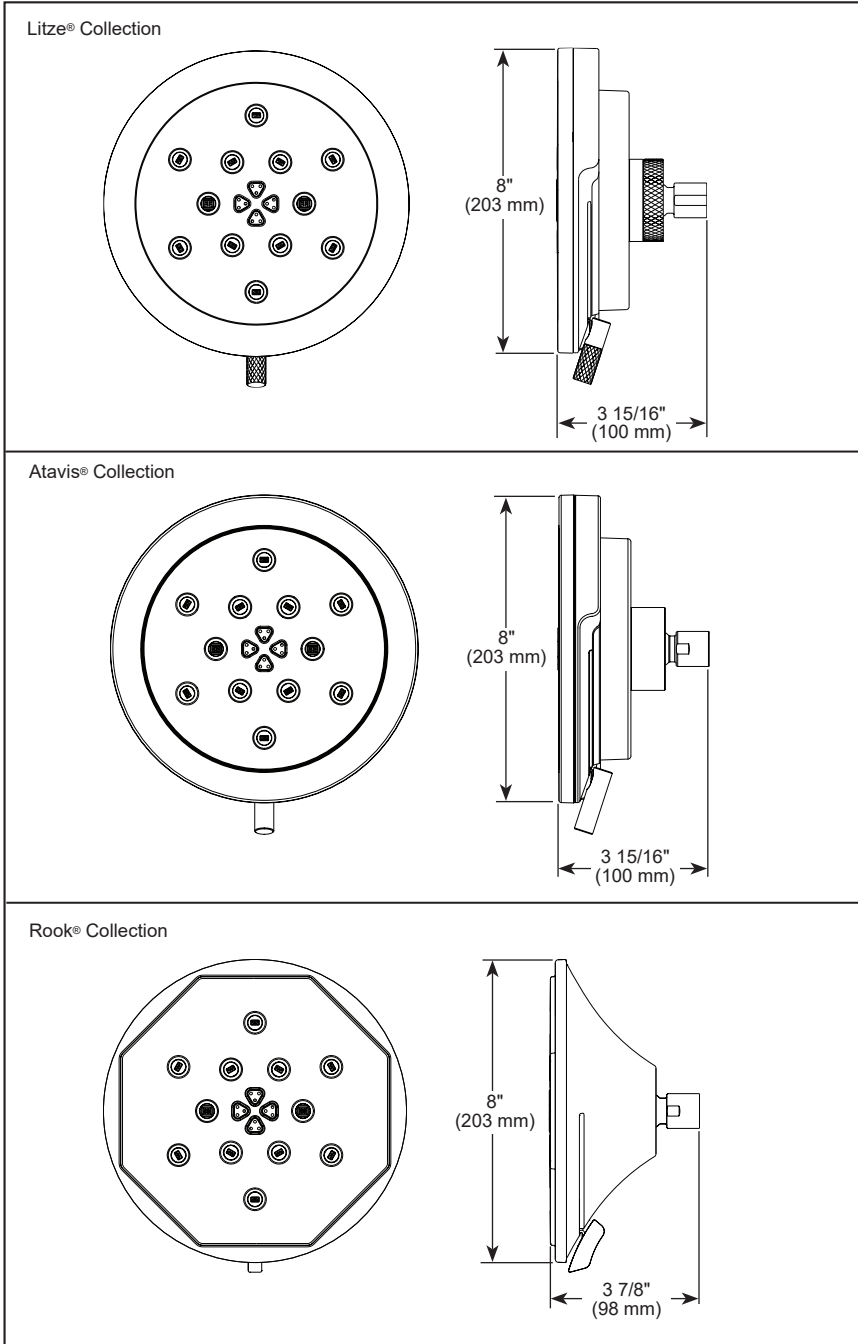
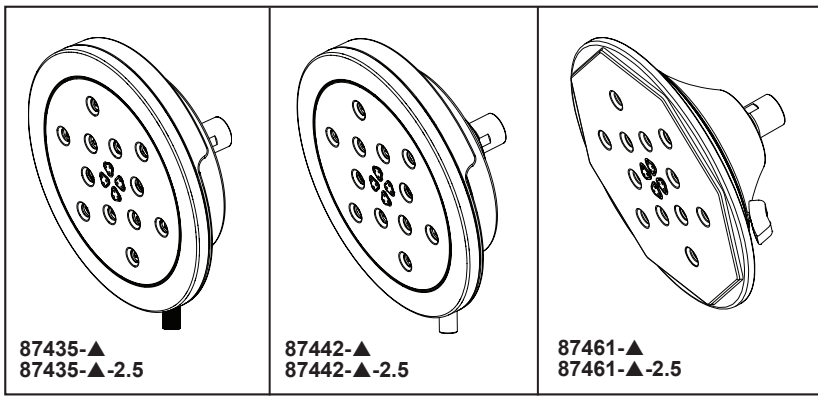
WARRANTY

- Parts and Finish – Lifetime limited warranty; or for commercial purchasers, 10 years for multi-family residential (apartments and condominiums) and 5 years for all other commercial uses, in each case from the date the product is received by the original purchaser or their authorized representative (installation contractor, etc.).
- Please go to www.brizo.com for the complete details of our limited warranty.



COMPLIES WITH:

- ASME A112.18.1 / CSA B125.1
- EPA WaterSense® - Applies to 87435-▲, 87442-▲, and 87461-▲ only



▲ Designate finish suffix

Brizo Kitchen & Bath Company reserves the right (1) to make changes in specifications and materials, and (2) to change or discontinue models, both without notice or obligation. Dimensions are for reference only. See current full-line price book or www.brizo.com for finish options and product availability.

BSP-B-87435 Rev. E

Brizo Kitchen & Bath Faucet Company

55 E. 111th Street, Carmel, IN 46280
350 South Edgware Road, St. Thomas, ON N5P 4L1
© 2026 Brizo Kitchen & Bath Faucet Company