

## Features

- Leak-free ceramic disc valve allows both volume and temperature control
- 0.5 gpm (1.9 lpm) maximum flow rate at 60 psi (4.14 bar)
- This product will be replaced with K-35048-4N

## Material

- Premium metal construction for durability and reliability
- KOHLER finishes resist corrosion and tarnishing

## Installation

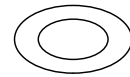
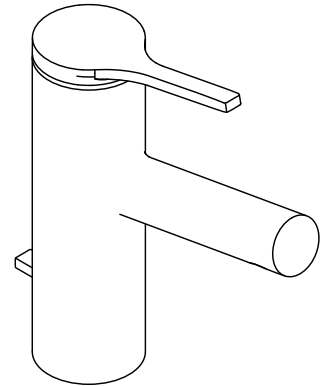
- Single hole

## Recommended Products/Accessories

K-23726 Drain treatment

## Optional Products/Accessories

1394616 Single hole escutcheon kit

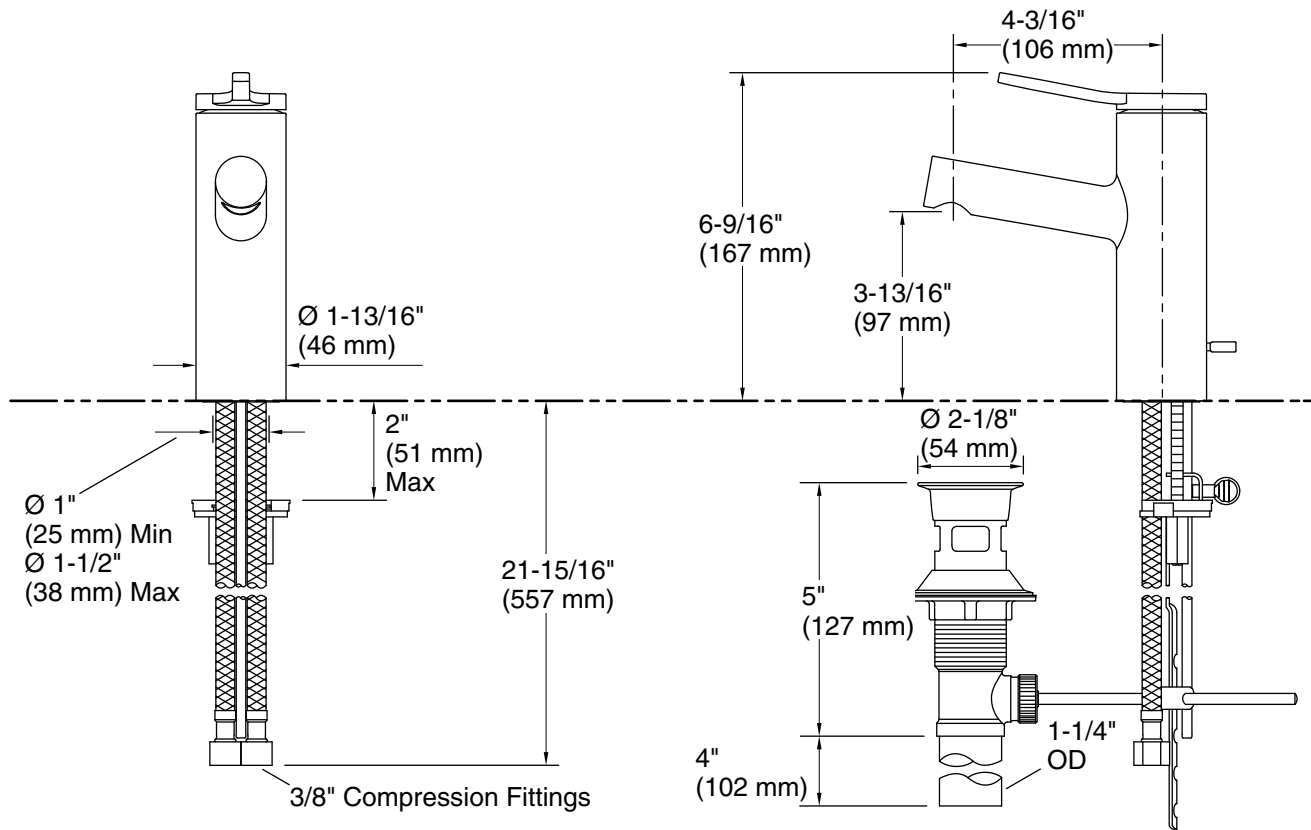


## Codes/Standards

ASME A112.18.1/CSA B125.1  
NSF/ANSI/CAN 61  
NSF/ANSI/CAN 372  
DOE - Energy Policy Act 1992  
California Energy Commission (CEC)  
ADA  
ICC/ANSI A117.1  
CSA B651  
OBC

## KOHLER® Faucet Lifetime Limited Warranty

See website for detailed warranty information.



## Technical Information

All product dimensions are nominal.

Faucet flow rate: 0.5 gal/min (1.9 l/min)

Drain included: Yes

Drain with overflow: Yes

Drain tailpiece included: Yes

## Spout:

Spout reach:  $4\text{-}3/16\text{''}$  (106 mm)

## Notes

Install this product according to the installation instructions.

ADA compliant for handles only.

ADA, OBC, CSA B651 compliant when installed to the specific requirements of these regulations.