

Location:



6703-TRM, 6703TRMTC

Hand Shower Trim

Specification Submittal




Model Numbers

- 6703-TRM**
Hand Shower Trim, Temptrol Pressure Balancing Shower Valve order separately (modifiers include decimal points and hyphens)
Note: To create sku, follow the format:
Base SKU -> Finish -> Flow Rate (If lower than standard) -> TRM
- 6703TRM**
Hand Shower Trim (use when ordering L1-L7 and TC modifications, do not use hyphens or decimal points)
Note: To create sku, follow the format:
Base SKU -> Finish -> Modifier (L1-L7) -> Flow Rate (If lower than standard) -> TRM -> TC

Feature Highlights

- Identity Hand Shower Trim
- Requires Temptrol® Pressure Balancing Shower Valve
- Metal lever handle
- Cradle for hand shower wand
- Dual checks for backflow protection
- 60" flexible metal hose
- 1 mode hand shower wand with easy to clean nozzles
- 2.0 gpm (7.6 L/min) flow restrictor
- Tub spout and showerhead not included
- Components shall be metal and nonmetallic construction,
- Plated in standard Polished Chrome finish
- Available with TA-10 flow control spindle and T-12A cap assembly for Temptrol valve bodies installed with Test Cap (order p/n 6703TRMTC)
- For optional in-line vacuum breaker order p/n EF-109

Options/ Modifications

- 1.5**  **1.5 gpm (5.7 L/min) flow restrictor**
- L2** **Less hand shower wand**
- L7** **Less handle**
- TC** **Test Cap Trim**
- STN** **Satin Nickel finish**
- MB** **Matte Black finish**
- BBZ** **Brushed Bronze finish**

Warranty

Limited Lifetime - to the original end purchaser in consumer/residential installations.
10 Years - for commercial/industrial installations. Refer to www.symmons.com/warranty for complete warranty information.



Compliance

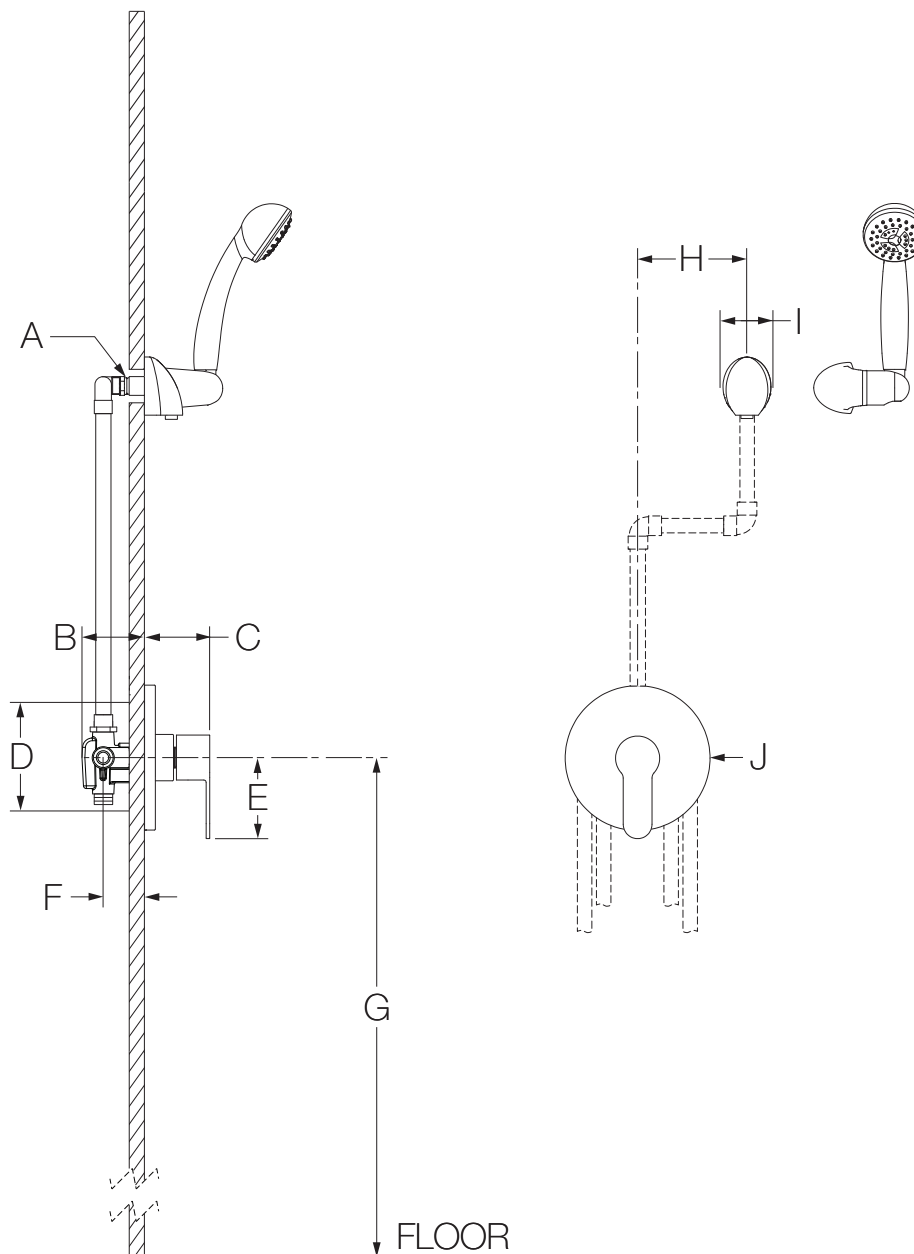
- ASME A112.18.1/CSA B125.1
- WaterSense 1.5 gpm (5.7 L/min)
2.0 gpm (7.6 L/min)



Architectural/ Engineering Specification

Symmons Identity Hand Shower Trim _____ Includes Identity Hand Shower Trim, Requires Temptrol® Pressure Balancing Shower Valve, Metal lever handle, Cradle for hand shower wand ,Dual checks for backflow protection, 60" flexible metal hose, 1 mode hand shower wand with easy to clean nozzles, 2.0 gpm (7.6 L/min) flow restrictor, Tub spout and showerhead not included, Components shall be metal and nonmetallic construction, plated in standard Polished Chrome finish, Available with TA-10 flow control spindle and T-12A cap assembly for Temptrol valve bodies installed with Test Cap, For optional in-line vacuum breaker order p/n EF-109. 10 Year commercial Warranty. ASME A112.18.1/CSA B125.1, WaterSense 1.5 gpm (5.7 L/min), 2.0 gpm (7.6 L/min) complaint. Available options include: "1.5 - 1.5 gpm (5.7 L/min) flow restrictor", "L2 - Less hand shower wand", "L7 - Less handle", "TC - Test Cap Trim", "STN - Satin nickel finish", "MB - Matte Black finish", "BBZ - Brushed Bronze finish".

Dimensions



Measurements	
A	Male 1/2" NPT fitting must be recessed 1/4" (6 mm) from finished wall
B	3-1/2", 89 mm
C	2-7/8", 73 mm
D	Shower Valve Hole Size Min. Ø 3", 76 mm Max. Ø 4", 102 mm
E	3-1/2", 89 mm
F	Rough-in 2-3/8" ± 1/2", 60 mm ± 13 mm
G	Ref. 32", 813 mm
H	6", 152 mm
I	2-1/8", 54 mm
J	Ø 6-3/8", 162 mm

Notes:

- 1) Valve body and piping not included and shown as reference only.
- 2) Plaster shield (p/n T-176) for dry wall, plaster or other type walls 1/2" or greater.
- 3) All dimensions measured from nominal rough-in (see F as reference).
- 4) Dimensions subject to change without notice.