

8 7 6 5 4 3 2 1

F

F

E

E

D

D

C

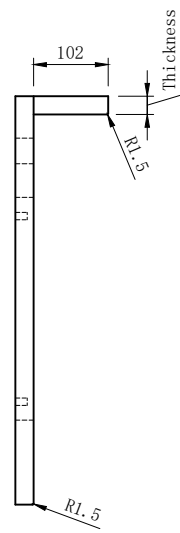
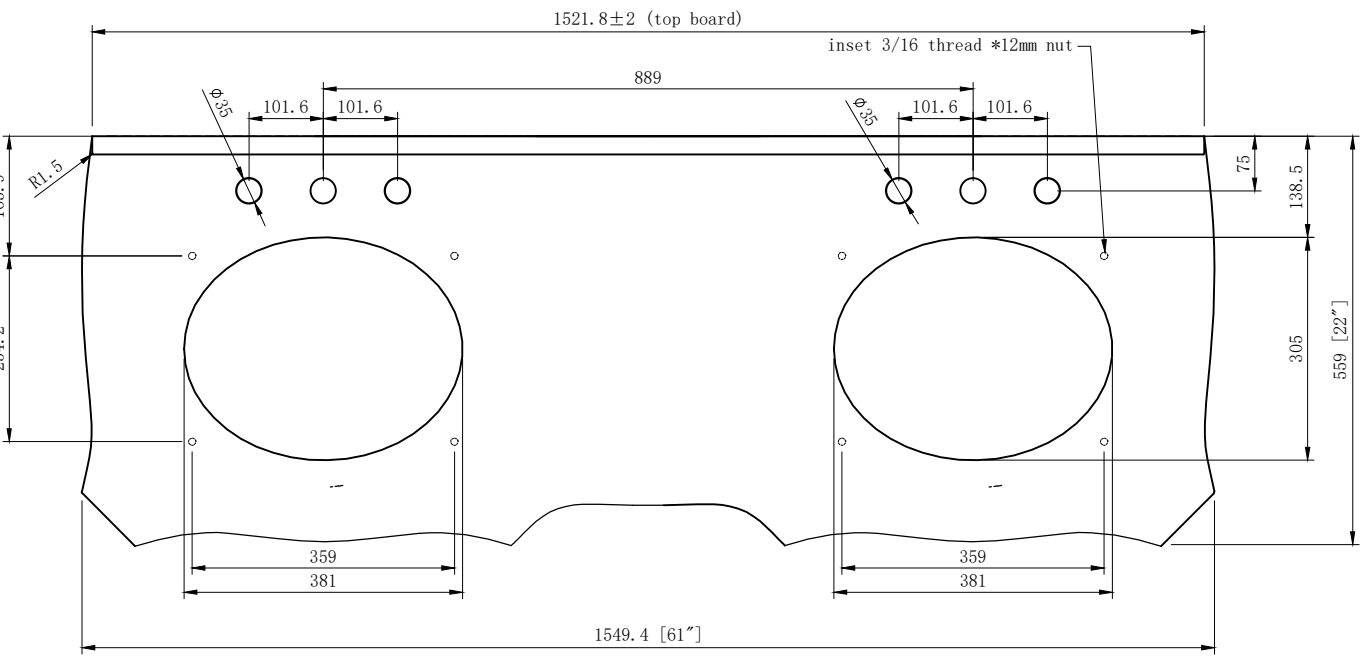
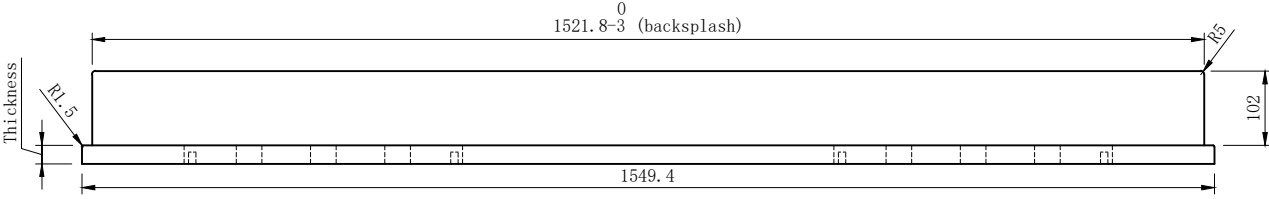
C

B

B

A

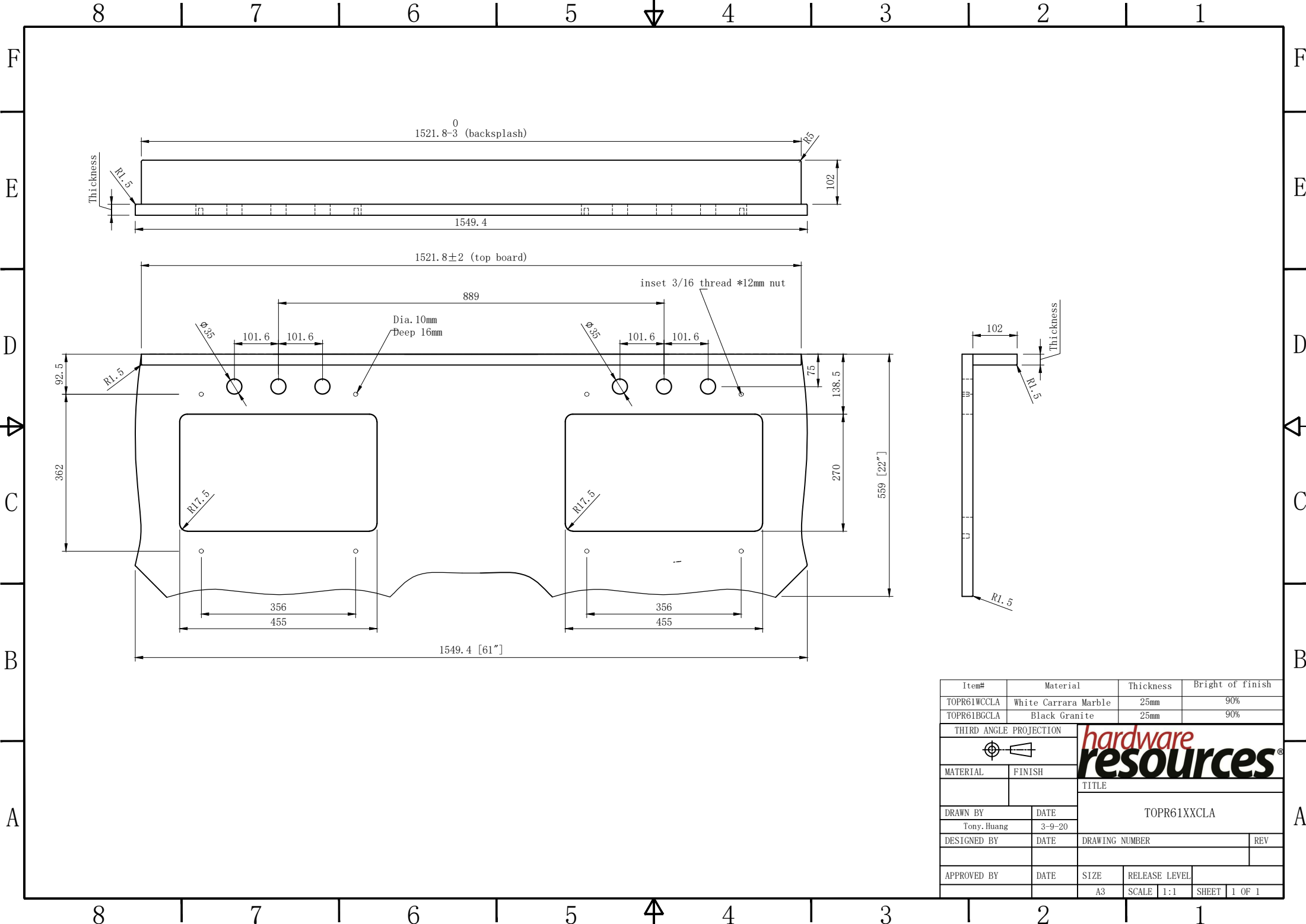
A



Item#	Material	Thickness	Bright of finish
TOPO61WCCLA	White Carrara Marble	25mm	90%
TOPO61BGCLA	Black Granite	25mm	90%

THIRD ANGLE PROJECTION			
		hardware resources [®]	
MATERIAL	FINISH		
TITLE		TOP061XXCLA	
DRAWN BY	DATE	DRAWING NUMBER	
Tony.Huang	3-9-20	REV	
DESIGNED BY	DATE	SCALE	RELEASE LEVEL
		A3	1:1
APPROVED BY	DATE	SHEET	1 OF 1

8 7 6 5 4 3 2 1



Item#	Material	Thickness	Bright of finish
TOPR61WCCLA	White Carrara Marble	25mm	90%
TOPR61BGCLA	Black Granite	25mm	90%

THIRD ANGLE PROJECTION			
MATERIAL	FINISH		
		TOPR61XXCLA	
DRAWN BY	DATE	DRAWING NUMBER	
Tony.Huang	3-9-20		REV
DESIGNED BY	DATE		
APPROVED BY	DATE	SIZE	RELEASE LEVEL
		A3	SCALE 1:1
		SHEET	1 OF 1