



Entrance Mini Lever or Thumb Turn Set



The Schlage Entrance Mini Lever and Thumb Turns combine to offer a stylish and functional locking solution, perfect for a main entrance door, when using a Schlage 316 pull handle in matching finishes. The Schlage Entrance Mini Lever and Thumb Turn Sets are constructed from 316 grade stainless steel, achieving corrosion resistance C9 (Severe) and durability grade D8 in accordance with AS4145:2008.2.

Both the mini lever and thumb turn are design to work with the Schlage Virtus lock. Which offers a locking latch and deadbolt with 13mm and 22mm throw without the need for any lock adjustment. Utilising high-strength stainless steel internal components, the lock achieves grade S8 (Security) and grade D8 (Durability) ratings in accordance with AS4145:2008.2.

Features

- Constructed from 316 grade stainless steel
- Available in satin stainless steel, matte black or PVD black
- Complements the Schlage range of 316 stainless steel pull handles
- Round or square escutcheon options
- Supplied with timber and aluminium fixings
- Mini lever sets pair perfectly with the two and four point Schlage Virtus Mortice Lock
- Thumb turn sets can be paired with the two point Schlage Virtus Mortice Lock

Allegion warranties

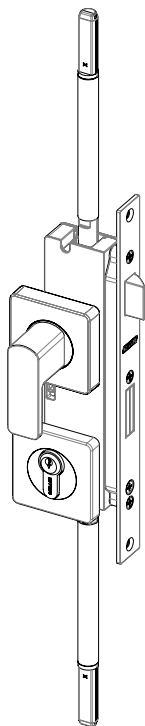
Mechanical	10 years
Finish	allegion.co.nz/finisheswarranty

Specifications

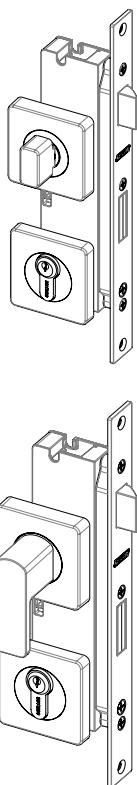
Door type	Aluminium or timber	
Door thickness	35mm to 60mm	
Furniture screws	Phillips head, stainless steel M4 self-drilling / wood screws	
Furniture material	316 Grade stainless steel	
Finish	Satin stainless steel, matte black (powder coat), or PVD black	
Spindle size & material	8mm Zinc diecast (80mm & 90mm lengths supplied)	
Lock case material	Zinc die cast	
Security and Durability Rating	S8 and D8 to AS4145:2008.2	
Corrosion resistance	C9 (Severe) to AS4145:2008.2	
Product codes	Square rose	Round rose
Thumb turn set only	S316-TS	S316-TR
Mini lever set only	S316-MLS	S316-MLR
2PT Lockset with thumb turns	2PT-60S-TCES	2PT-60S-TCER
2PT Lockset with mini levers	2PT-60S-MLCES	2PT-60S-MLCER
4PT Lockset with mini levers	4PT-60S-MLCES	4PT-60S-MLCER
Latch set with thumb turns	S316-TSL60	S316-TRL60
Latch set with mini levers	S316-MLSL60	S316-MLRL60

Add relevant finish code when ordering: Satin Stainless Steel (-SSS), Matte Black (-MB), PVD Black (-PVDB)
Euro cylinder ordered separately.

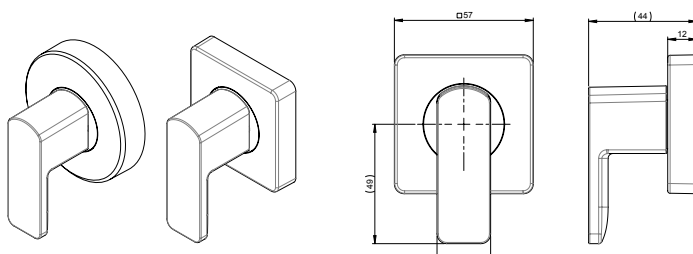
Schlage Virtus Four Point Lock



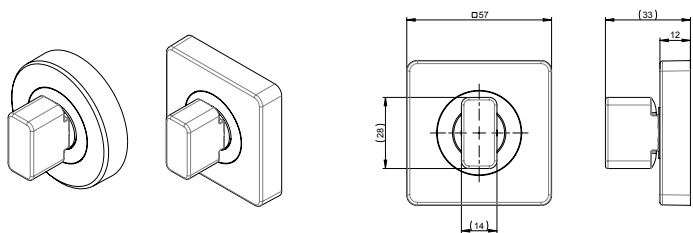
Schlage Virtus Two Point Lock



Schlage Entrance Mini Lever

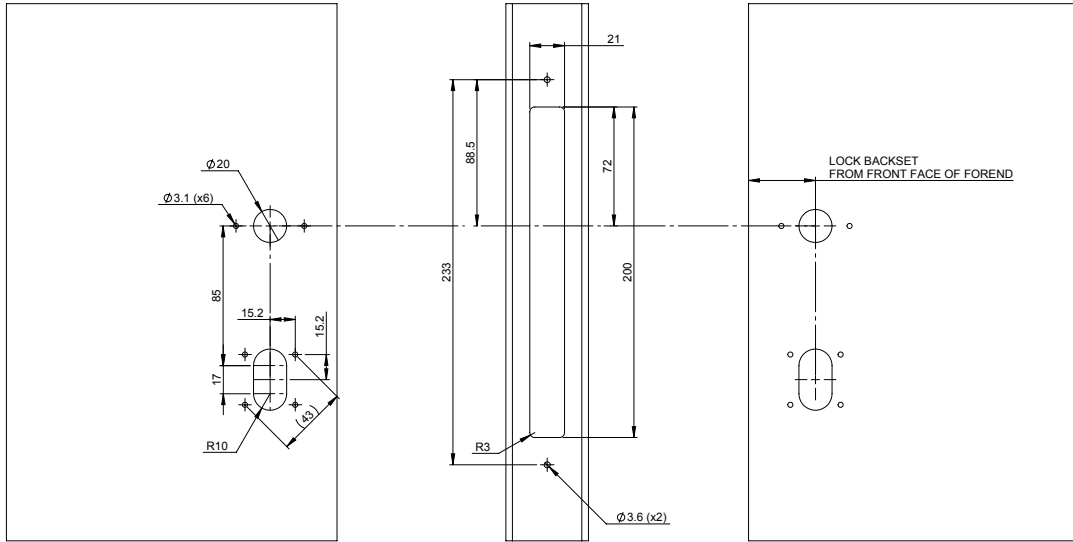


Schlage Entrance Thumb Turn

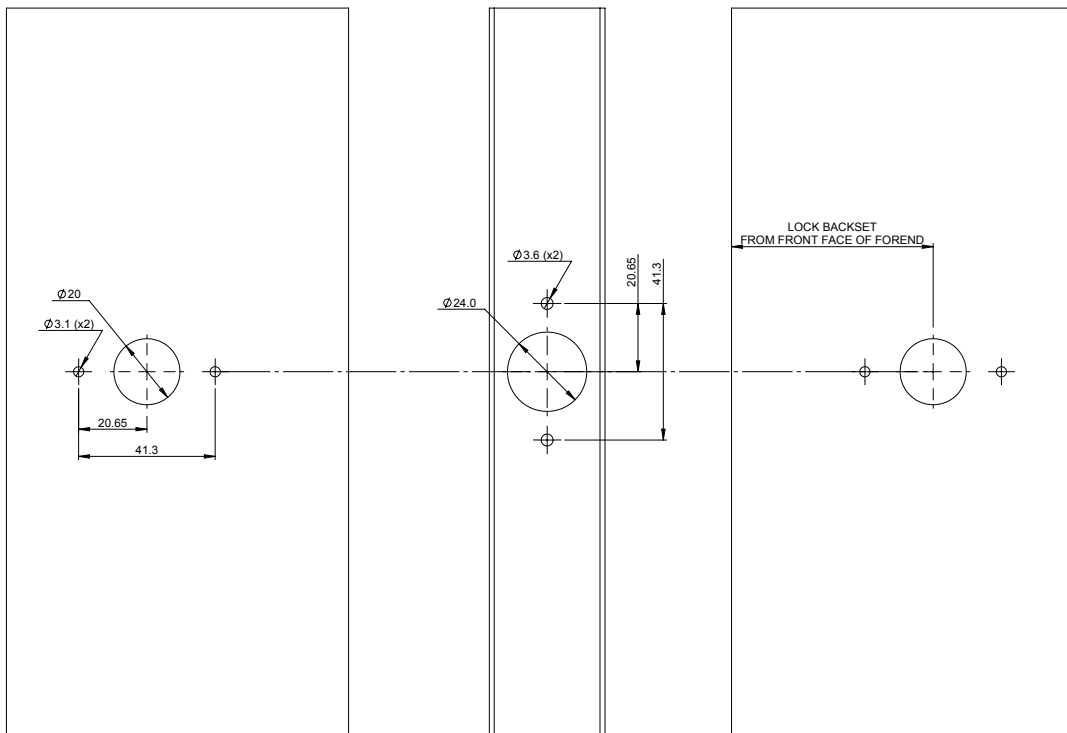


Door preparation details

Schlage Virtus lock with mini lever | thumb turn sets



Latch with mini lever | thumb turn sets



Drawings shown are not to scale.