

Tea-for-Two® | K-856-M

66" x 36" drop-in whirlpool bath

Features

- 6 hydromassage jets can be individually adjusted for water flow and direction
- Variable-speed pump for adjusting hydromassage intensity
- 10 backjets target the lower back and shoulders to relieve tension and encourage deep breathing
- Adjustable neckjet pillow with 2 jets provides a stimulating, stress-relieving neck massage
- Built-in heater
- Electronic keypad
- Remote control
- Safeguard® slip-resistant surface provides excellent traction underfoot
- Drilled for grab bars (required); sold separately



Sustainability



Available Colors/Finishes

Color tiles intended for reference only.

- | | |
|----|--------------|
| 0 | White |
| 96 | Biscuit |
| NY | Dune |
| 95 | Ice Grey |
| 58 | Thunder Grey |
| 7 | Black Black |



Codes/Standards

ASME A112.19.1/CSA B45.2
 ASME A112.19.7/CSA B45.10
 ASTM F462
 UL 1795
 CSA C22.2 No. 218.2
 cUL Listed
 UL Listed

Technical Information

All product dimensions are nominal.

Drain Location:	Reversible
Drain Hole Diameter:	2" (51 mm)
Minimum Flat for Door:	1-15/16" (50 mm)
Basin Area, Bottom:	45" x 25" (1143 mm x 635 mm)
Basin Area, Top:	58" x 29" (1473 mm x 737 mm)
Water Depth:	18" (457 mm)
Water Capacity:	96 gal (363.4 L)
Minimum Floor Load:	81 lbs/ft ²
Weight:	510 lbs (231.3 kg)
Cutout:	Drop-in, 65-1/2" x 35-1/2" (1664 mm x 902 mm)

Material

- KOHLER® enameled cast iron

Recommended Products/Accessories

- K-1601 Bath/whirlpool footstop, removable
- K-587 Undermount kit for select 66" Tea-for-Two bath models
- K-1179 Tiling-in bead, 180" length
- K-23726 Drain treatment
- K-9696 Whirlpool trim kit with six jets
- K-23725 Cast iron cleaner

Required Products/Accessories

- K-9653 Grab bars for whirlpool baths with Spa/Massage package
- or
- K-23857 Bath drain trim
- or
- K-78440 33" cable pop-up bath drain

Required Electrical Service

One dedicated circuit required, protected with Class A Ground-Fault Circuit-Interrupter (GFCI). Outside North America, this device may be known as a Residual Current Device (RCD).

Pump, Heater: 240 V, 20 A, 50/60 Hz

Electrical Component Ratings

Pump: 240 V, 50/60 Hz

Number of Speeds: Variable

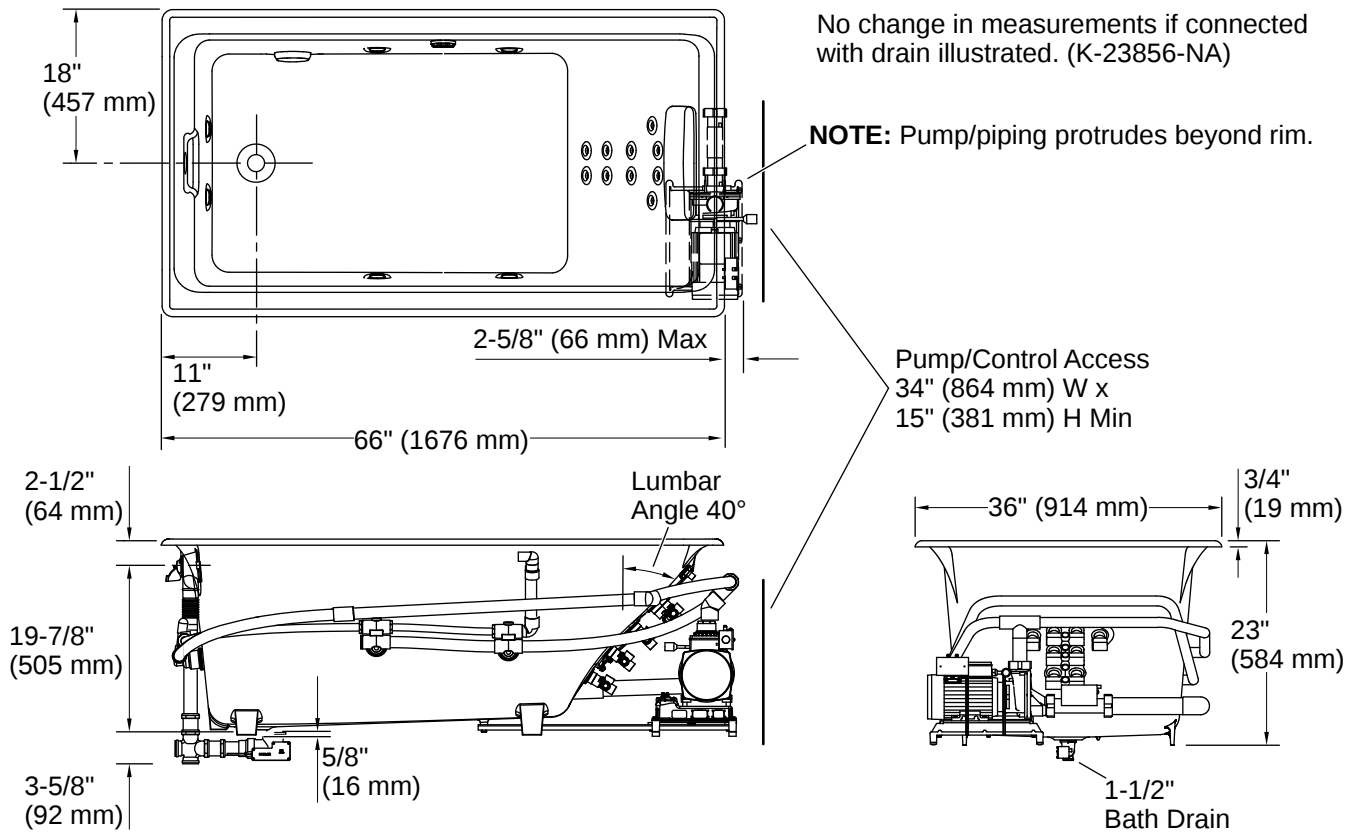
Heater: 240 V, 6 A, 1500 W

Warranty

See website for detailed warranty information.

KOHLER® Enameled Cast Iron Bath and Shower Base Lifetime Limited Warranty|KOHLER® Hydrotherapy Components Five-Year Limited Warranty





Installation

- Reversible drain
- Drop-in
- Requires cable pop-up bath drain and bath drain trim (sold separately)

Installation Notes

Install this product according to the installation instructions.

Measure your actual product for rough-in details.

The hot water supply should be 70% of the capacity of the bath or greater. Installations will vary.

Kit is required for under-mount installations (sold separately).

Cast iron whirlpools are extremely heavy, making some drop-in installations difficult. Splitting the deck/surround is recommended if installing into a deck.

