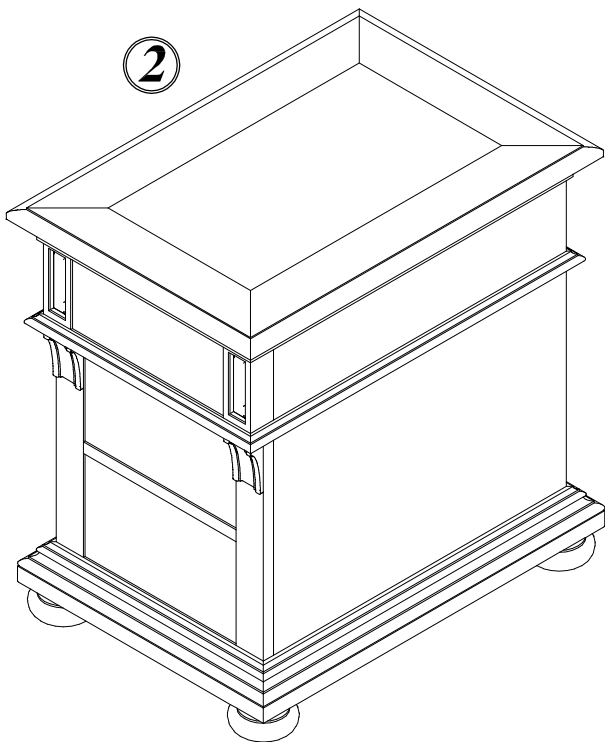
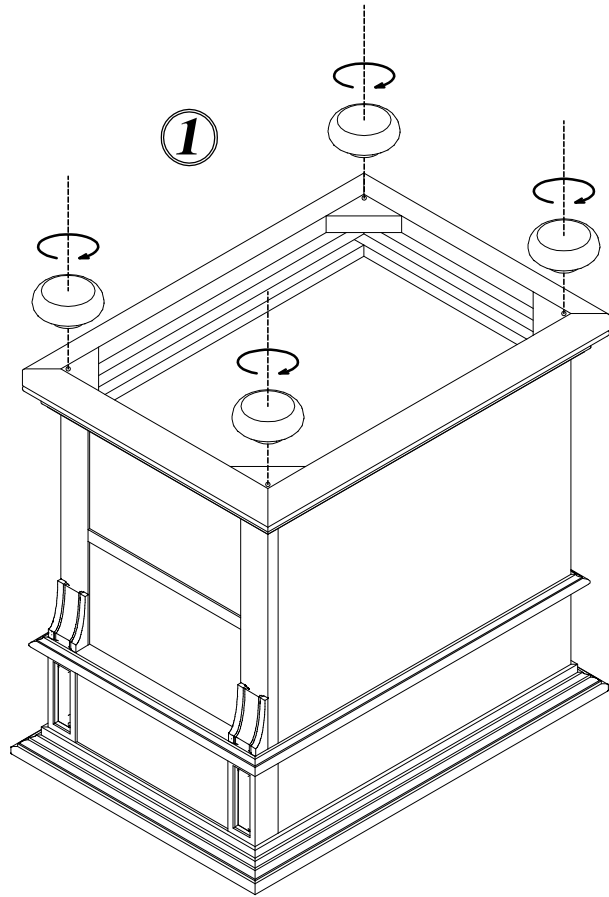


# HEKMAN

A HOWARD MILLER COMPANY

## ASSEMBLY INSTRUCTIONS

25205/25405 - CHAIRSIDE CHEST



*PLACE THE CHAIRSIDE CHEST UPSIDE DOWN ON SOFT AND CLEAN SURFACE TO PREVENT SCRATCHING*

- 1. ASSEMBLE THE LEGS INTO THE CHEST THEN TURN OVER IT CLOCKWISE*
- 2. SET THE CHAIRSIDE CHEST UPRIGHT*

MADE IN INDONESIA