

Installation Instructions

Vanity

Record your model number:

Noter le numéro de modèle:

Anote su número de modelo: _____

Français, page 15

Español, página 28

KOHLER®

Thank You for Choosing KOHLER

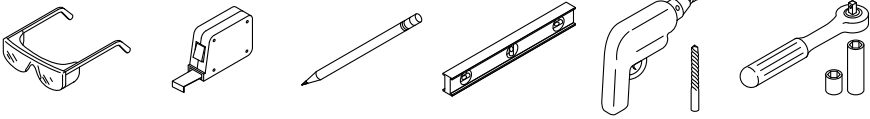
Need help? Contact our Customer Care Center.

- USA/Canada: 1-800-4KOHLER (1-800-456-4537) Mexico: 001-800-456-4537
- Service parts: [kohler.com/serviceparts](https://www.kohler.com/serviceparts)
- Care and cleaning: [kohler.com/clean](https://www.kohler.com/clean)
- Patents: [kohlercompany.com/patents](https://www.kohlercompany.com/patents)

Warranty

This product is covered under the **KOHLER® One-Year Limited Warranty**, found at kohler.com/warranty. For a hardcopy of warranty terms, contact the Customer Care Center.

Tools and Materials



Plus:

- 5/16" Lag Bolts and Washers [250 lb (113.4 kg)] Load Bearing]
- 2x6s
- 2x4s
- Woodworking Tools and Materials

Before You Begin



CAUTION: Risk of product damage. Do not modify the vanity. Doing so will compromise structural stability.



CAUTION: Risk of personal injury or property damage. Select 500 lb (227 kg) load-bearing 5/16" lag bolts with a length to clear obstacles in the wall and 5/16" washers. Calculate the proper lag bolt length by adding the following: 1-1/2" (38 mm) backing material, plus the wallboard thickness, plus the back rail thickness.



CAUTION: Risk of property damage. To properly support the weight of the vanity and vanity top/sink, secure to stud framing or 2x6 support behind the finished wall.



CAUTION: Risk of product damage. Use care when moving the cabinet to avoid impacting, sliding, or side-loading the legs.

NOTICE: Siliconized acrylic caulk must be used to secure a sink or countertop to the vanity. Do not use 100% silicone sealant, which will damage the finish of the vanity.

NOTICE: Any electrical accessory components must be connected to a circuit protected by a Ground-Fault Circuit-Interrupter (GFCI) or Residual Current Device (RCD). Follow all local electrical codes.

Follow all local plumbing and building codes.

Your product may appear different from the one illustrated. The installation procedure is the same.

Two people should perform this installation.

This vanity is designed to allow most base moldings to pass behind the vanity.

To ease installation, remove drawers from the vanity before beginning. Refer to the section in this Installation Instructions for proper removal.

Secure the vanity to stud framing. When possible, provide 2x6 bracing behind the finished wall for additional support.

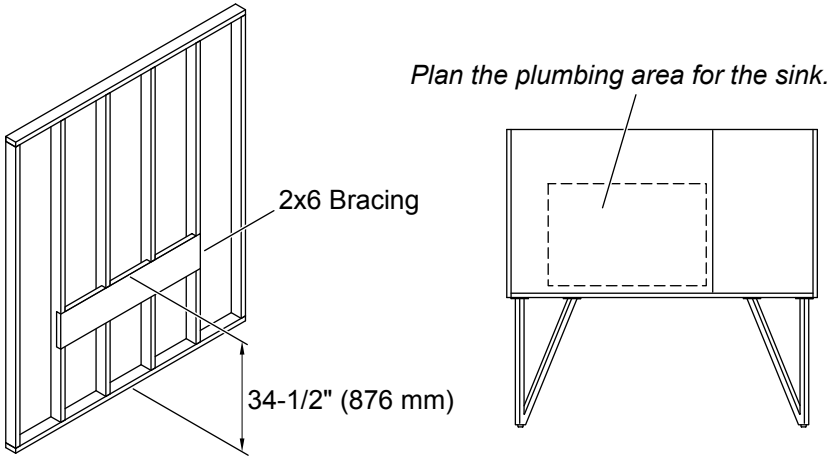
IMPORTANT HEALTH NOTICE

Some of the building materials used in this home (or these building materials) emit formaldehyde. Eye, nose, and throat irritation, headache, nausea and a variety of asthma-like symptoms, including shortness of breath, have been reported as a result of formaldehyde exposure. Elderly persons and young children, as well as anyone with a history of asthma, allergies, or lung problems, may be at greater risk. Research is continuing on the possible long-term effects of exposure to formaldehyde.

Reduced ventilation may allow formaldehyde and other contaminants to accumulate in the indoor air. High indoor temperatures and humidity raise formaldehyde levels. When a home is to be located in areas subject to extreme summer temperatures, an air-conditioning system can be used to control indoor temperature levels. Other means of controlled mechanical ventilation can be used to reduce levels of formaldehyde and other indoor air contaminants.

If you have any questions regarding the health effects of formaldehyde, consult your doctor or local health department.

1. Prepare the Site

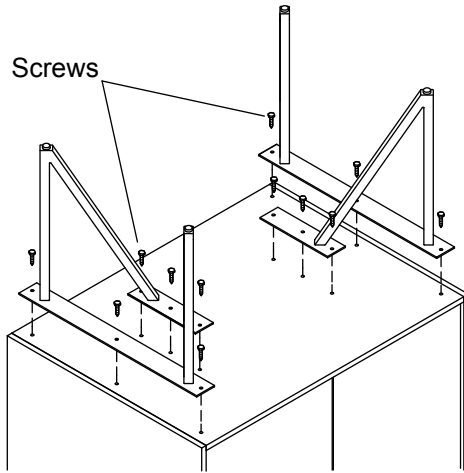


⚠ CAUTION: Risk of property damage. To properly support the weight of the vanity and sink, secure to stud framing or 2x6 bracing behind the finished wall.

NOTICE: To verify proper support and alignment: The finished wall must be straight and plumb. The floor must be flat and perpendicular to the finished wall.

- If installing 2x6 bracing, front-notch the studs 1-1/2" (38 mm) to verify that the bracing sits flush against the studs. The bracing should span the length of the vanity.
- Plan for routing supply and drain piping for your desired sink installation
- Plan for electrical service if installing the optional electrical strip. Any electrical accessory components must be connected to a circuit protected by a Ground-Fault Circuit-Interrupter (GFCI) or Residual Current Device (RCD).
- Complete the finished wall.

2. Install Legs (Optional)

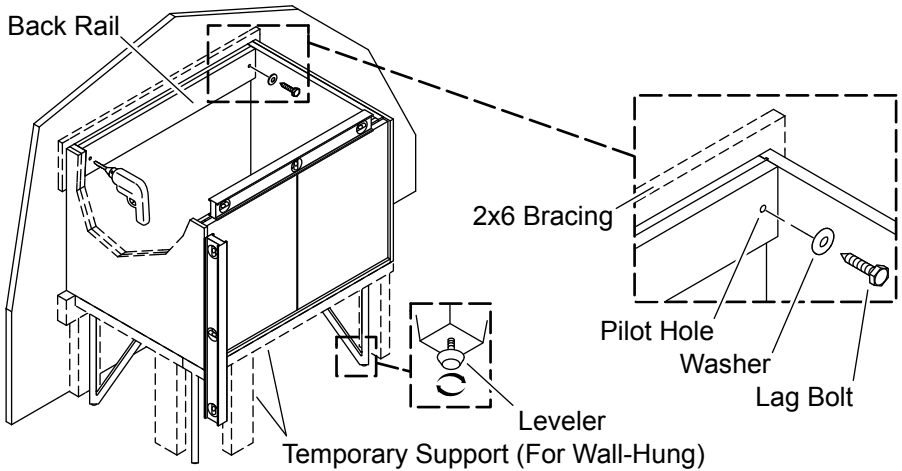


NOTE: To protect the finished surface of the vanity, perform assembly tasks on a flat, padded work surface.

NOTE: The right and left leg assemblies are identical.

- Lay the vanity top down on a flat, padded surface.
- Position a leg assembly at each side of the vanity, aligned over the pre-drilled holes.
- Secure each leg assembly to the vanity using the screws provided.
- With help, stand the vanity upright.

3. Secure Vanity



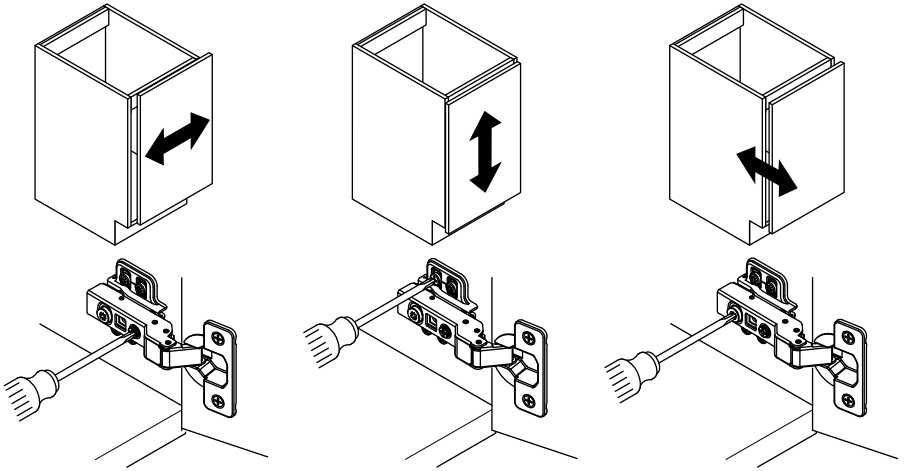
CAUTION: Risk of personal injury or property damage. Select 500 lb (227 kg) load-bearing 5/16" lag bolts with a length to clear obstacles in the wall and 5/16" washers. Calculate the proper lag bolt length by adding the following: 1-1/2" (38 mm) backing material, plus the wallboard thickness, plus the back rail thickness.

CAUTION: Risk of product damage. Drill pilot holes in the ends of the back rail to provide maximum support and to prevent flexing of the unit.

- Wall-hung vanity only:** Using 2x4 lumber, create a temporary support that is 14-3/4" (375 mm) in height and spans the width of the vanity.
- With assistance, lift and place the vanity in position against the finished wall.
- Verify that the vanity is level and plumb against the wall.
- Wall-hung vanity only:** Place shims under the temporary support to adjust the unit as needed.
- Vanity with legs only:** Turn the leveler(s) to adjust the unit as needed.
- Using a 1/4" drill bit, drill a pilot hole at each end of the back rail and into the finished wall. The holes should align with the 2x6 bracing or stud framing.
- Drill a pilot hole at each stud location between the two end holes.
- Secure the vanity to the wall with 5/16" lag bolts and washers (not provided). **The lag bolts should engage the 2x6 bracing and/or all studs behind the rail.**

- If used, remove and discard the temporary support once the vanity is properly installed.
- Install optional accessories (shelves, drawers, other) as desired. Refer to the instructions packed with the accessories.

4. Adjust the Door



NOTE: The hinges can be adjusted for proper door functionality and alignment.

Left/Right Adjustment

- Tighten or loosen the front screw to adjust the door horizontally.

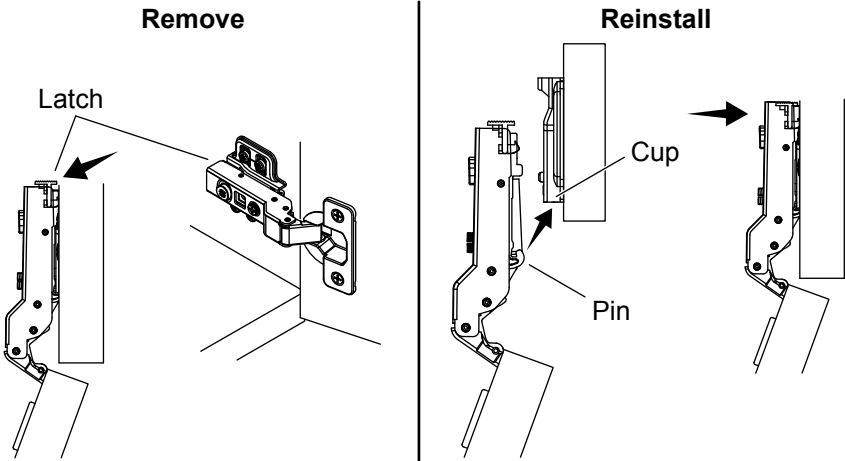
Up/Down Adjustment

- Loosen the four screws holding the hinge to the cabinet. Adjust the height of the door and tighten the screws to secure the door in the desired position.

Forward/Backward Adjustment

- Tighten or loosen the rear screw to adjust the door depth.

5. Remove the Door



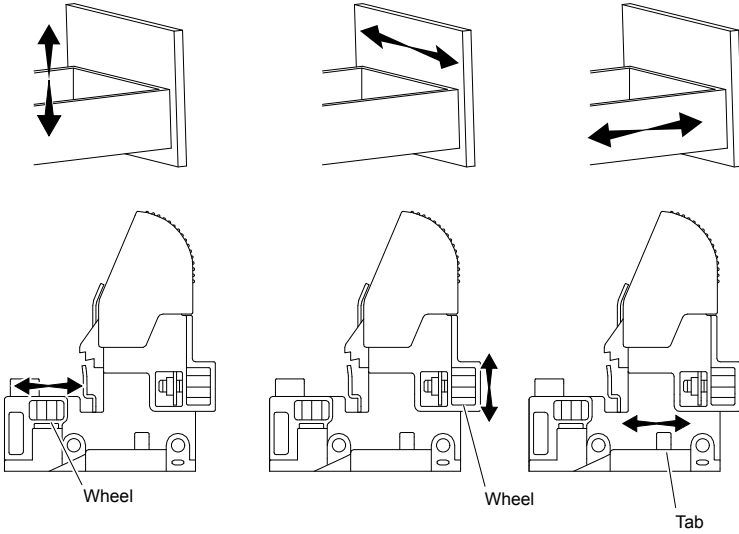
Remove

- With one hand, support the door in the open position.
- Starting with the bottom hinge, press the latch at the end of the hinge to release the latch from the bracket.
- Repeat for the upper hinge.
- Move the door forward to slide the hinges off the brackets.

Reinstall

- With one hand, support the door in the open position.
- Starting with the top bracket, align the hinge pin with the cup of the bracket.
- Press the back of the hinge to snap the latch onto the bracket.
- Repeat for the lower hinge.
- Open and close the door to verify proper operation.

6. Adjust the Drawer



NOTE: The drawer clips can be adjusted for proper drawer functionality and alignment.

Up/Down Adjustment

- Turn the front wheel to adjust the drawer up or down.

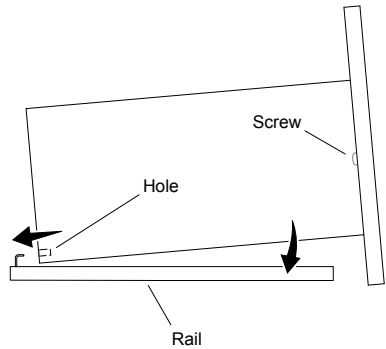
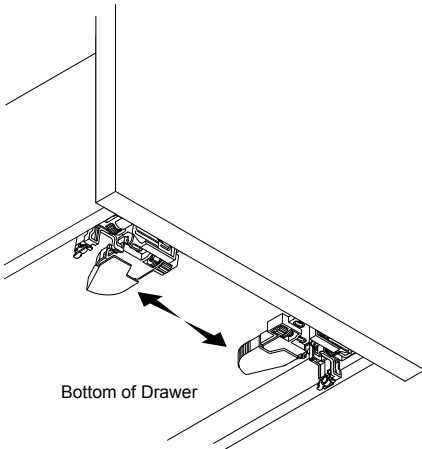
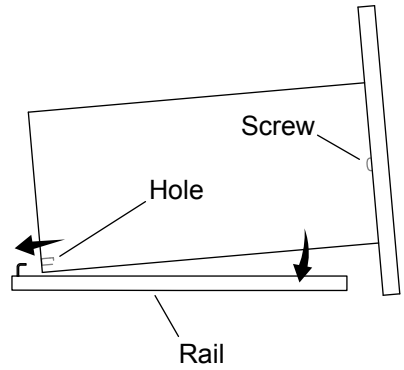
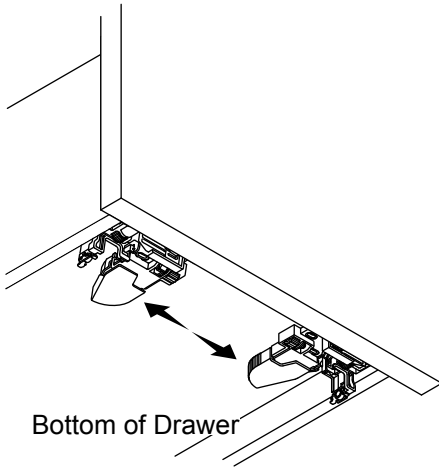
Left/Right Adjustment

- Turn the side wheel to adjust the drawer left or right.

Forward/Backward Adjustment

- Move the tab to adjust the drawer forward or backward.

7. Remove/Install the Drawer



Removal

- Fully extend the drawer.
- From underneath, press the release latches toward the sides of the drawer.
- Lift the front of the drawer to disengage from the rails.