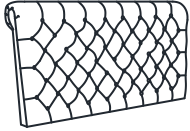


ASSEMBLY INSTRUCTION

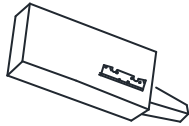
KING HEADBOARD

A Headboard



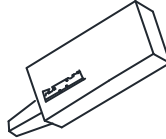
1pc

B Left Wooden Frame



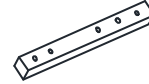
1pc

C Right Wooden Frame



1pc

D Slate



2pcs

E Bolt
1/4" x 65mm



10pcs

F Flat Washer



10pcs

G Lock Washer

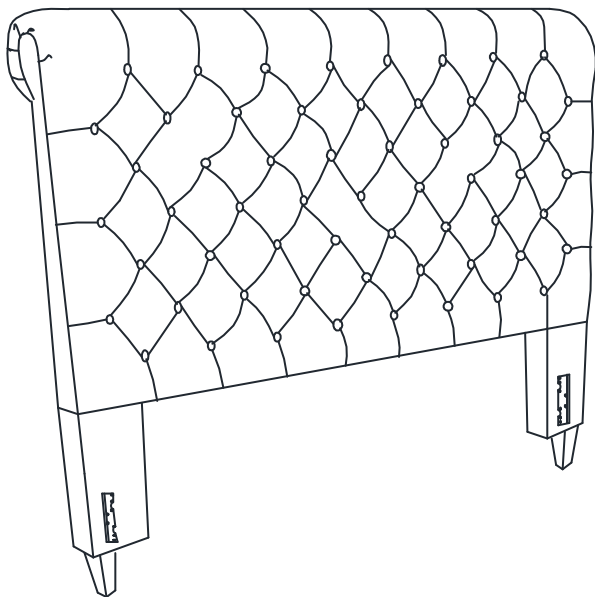


10pcs

H Allen Wrench



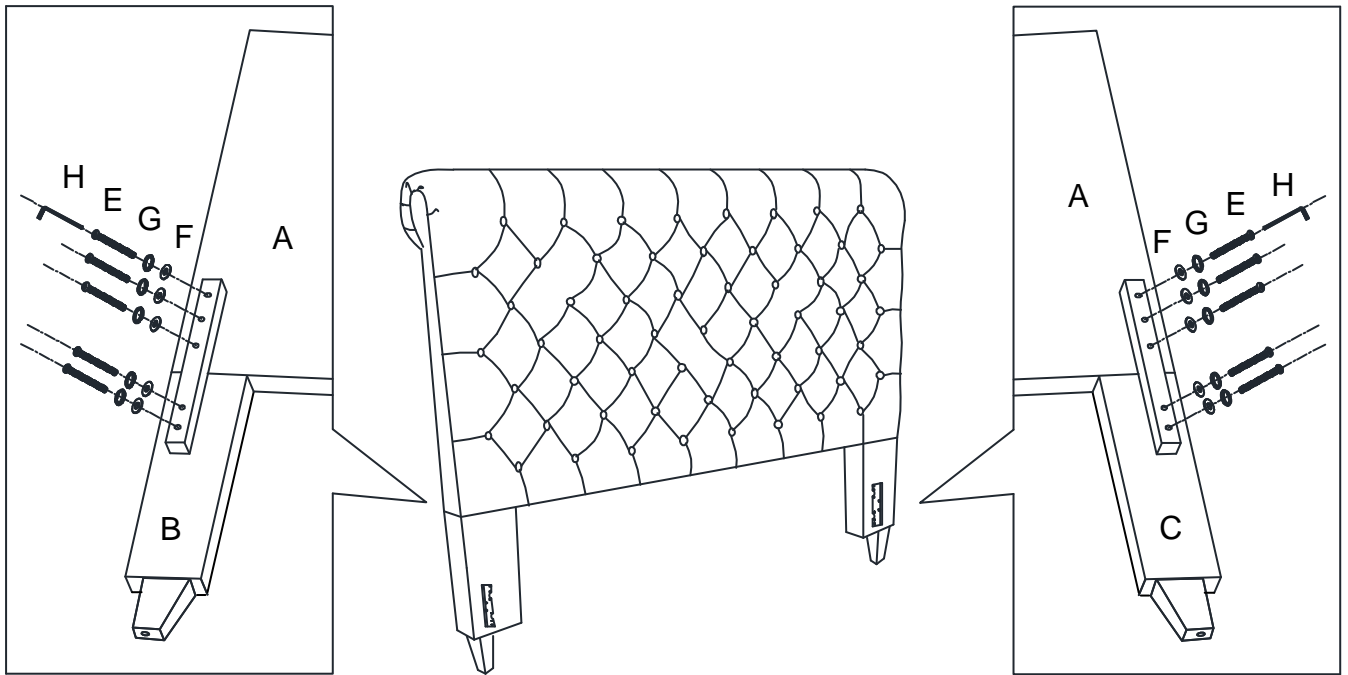
10pcs



This page lists all the contents included in the box. Please take the time to identify the hardware as well as the individual components to this product. As you unpack and prepare for assembly, place the contents on a carpeted or padded area to protect them from damage.

1

Attached left Wooden Frame (B) and right Wooden Frame (C) to the Headboard (A) use Bolt (E), Lock Washer (G) and Flat Washer (F) on holes of Slates (D). Turn the Allen Wrench (H) in Bolt (E).



Cleaning & Care

Treat surface with care. Surface is resistant to scratches but is not scratch resistant. Clean surfaces with a dry or damp soft cloth. Do not use abrasive cleaners. Hardware may loosen over time. Periodically check that all connections are tight.

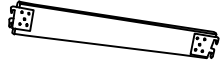
ASSEMBLY INSTRUCTION

KING BED - FOOTBOARD & SIDE RAILS

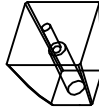
A Footboard **B** Side Rails **C** Wooden Leg **D** Support Leg **E** Wooden Slats



1pc



2pcs



2pcs



15pcs



5pcs

F Screw **G** Bolt 1/4" x 75mm **H** Bolt 1/4" x 50mm **I** Flat Washer **J** Lock Washer



20pcs



2pcs



15pcs



17pcs

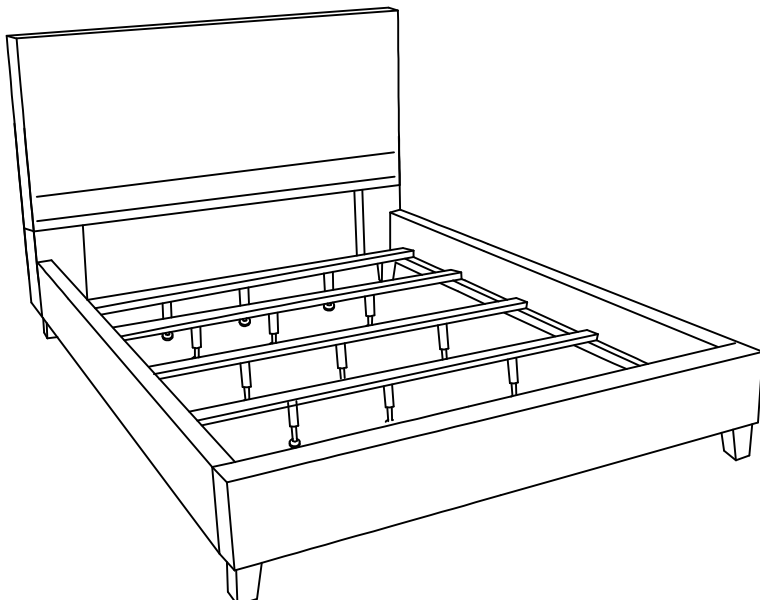


17pcs

K Allen Wrench

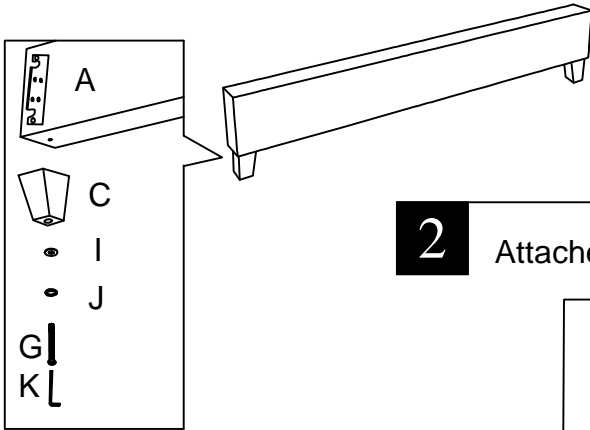


1pc

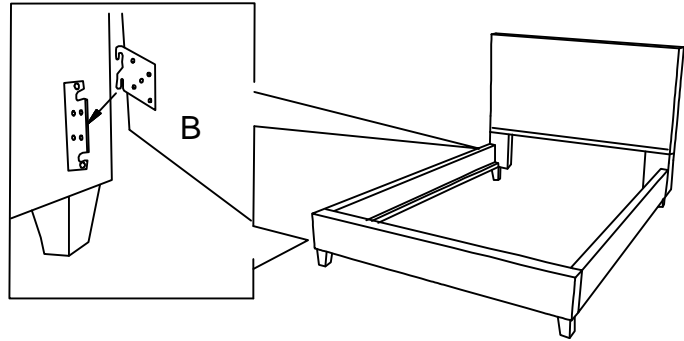


This page lists all the contents included in the box. Please take the time to identify the hardware as well as the individual components to this product. As you unpack and prepare for assembly, place the contents on a carpeted or padded area to protect them from damage.

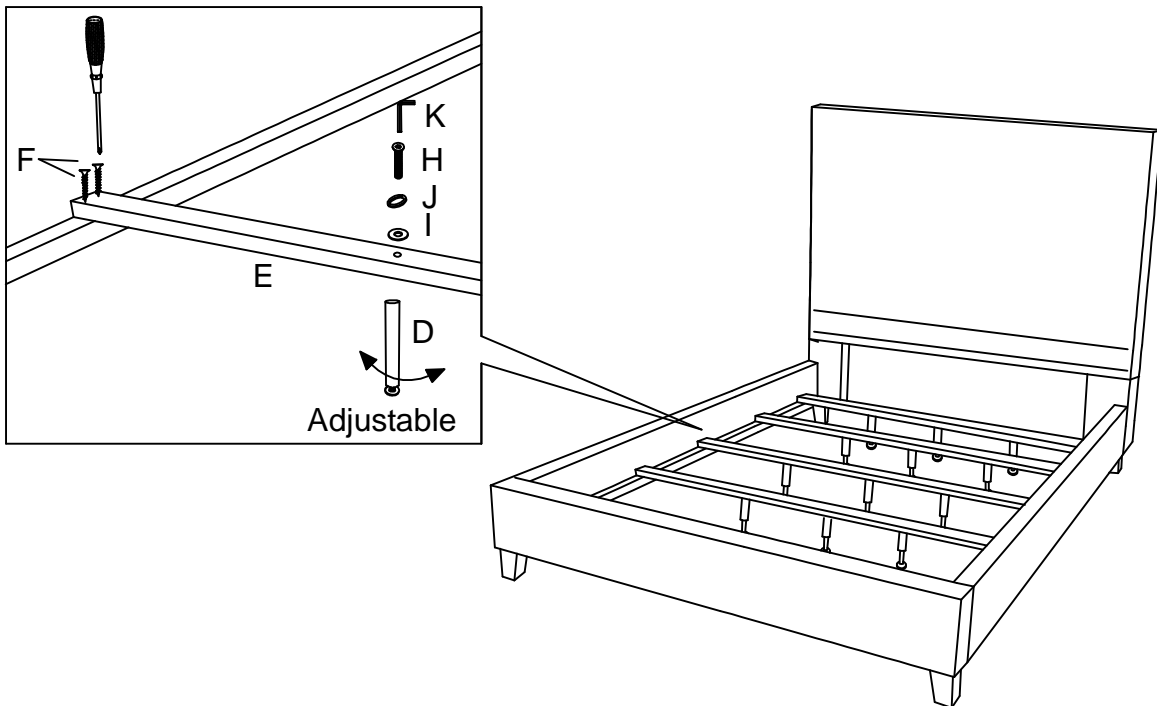
- 1** Attached Wooden Leg(C) to the Footboard(A) use Bolt(G), Lock Washer(J) and Flat Washer(I) on both of holes. Turn the Allen Wrench(K) in Bolt(G).



- 2** Attached Side Rails(B) to the Headboard and Footboard(A).



- 3** Assembly Support Leg(D) to Wooden Slats(E) use Bolt(H), Lock Washer(J) and Flat Washer(I) by Allen Wrench(K). Assembly Wooden Slats(E) to Side Rail(B) use Screw (F) as showing.

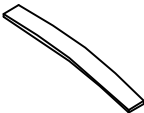

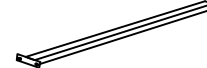
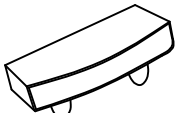
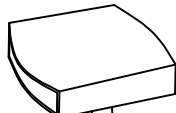












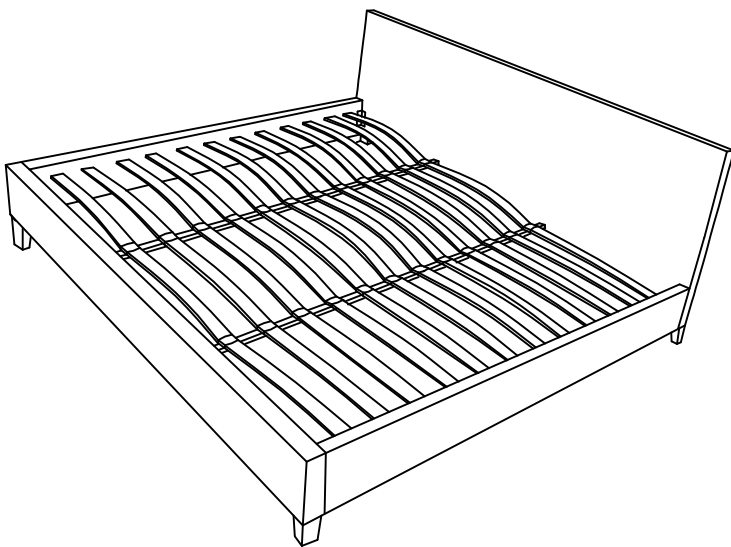
Cleaning & Care

Treat surface with care. Surface is resistant to scratches but is not scratch resistant. Clean surfaces with a dry or damp soft cloth. Do not use abrasive cleaners. Hardware may loosen over time. Periodically check that all connections are tight.

ASSEMBLY INSTRUCTION

KING BED - EURO SLATS

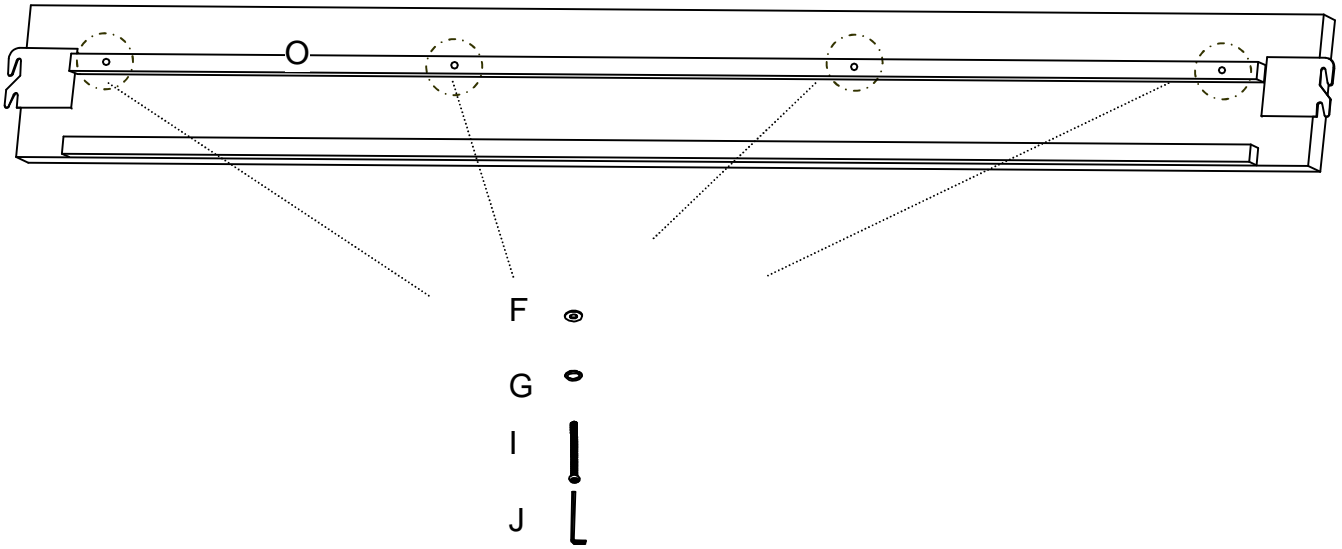
A Wooden Slat	B Support Leg	C Iron Pipe	D Single-Sided Cover	E Double-Sided Cover
				
39pcs	8pcs	2pcs	26pcs	26pcs
F Flat Washer	G Lock Washer	H Bolt 1/4" x 30mm	I Bolt 1/4" x 50mm	J Allen Wrench
				
28pcs	24pcs	4pcs	16pcs	1pc
K Iron Pipe	L Bolt 1/4" x 65mm	M Nut	N Wrench	O Iron Pipe
				
1pc	4pcs	4pcs	1pc	2pcs



This page lists all the contents included in the box. Please take the time to identify the hardware as well as the individual components to this product. As you unpack and prepare for assembly, place the contents on a carpeted or padded area to protect them from damage

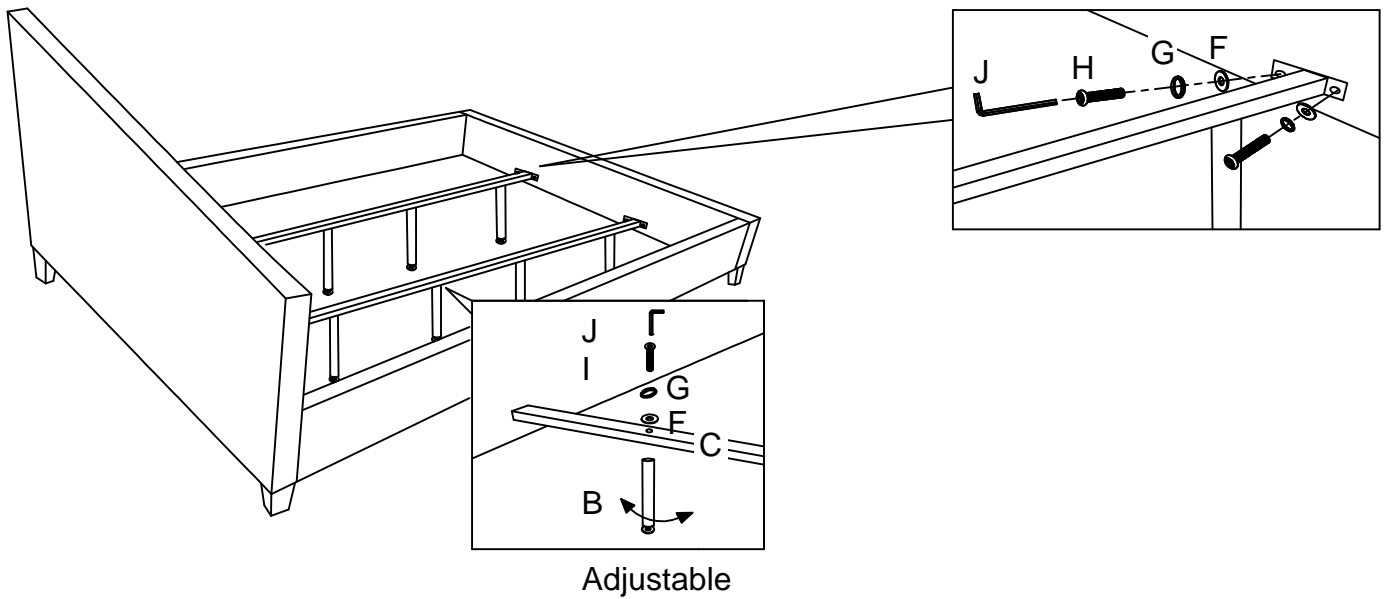
1

Attached Iron Pipe(O) to the both Side Rails use Bolt(I), Flat Washer(F), Lock Washer(G) by Allen Wrench(J).



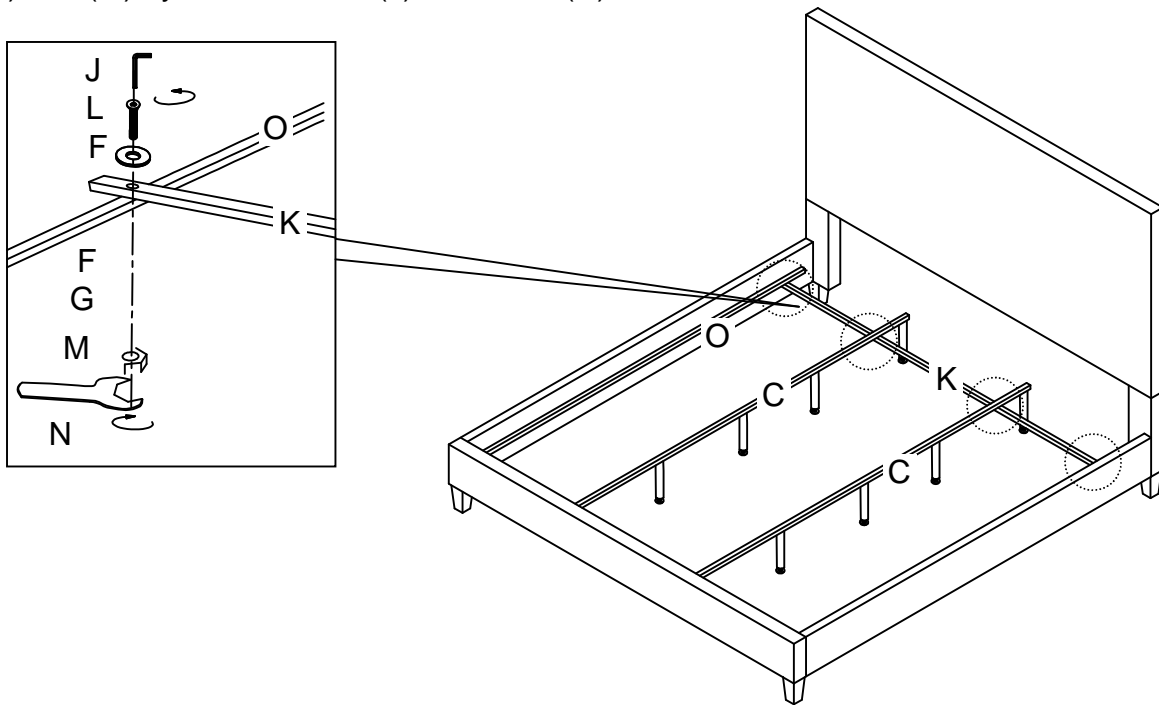
2

Attached Support Leg(B) to the Iron Pipe(C) use Bolt(I), Flat Washer(F), Lock Washer(G) by Allen Wrench(J). Then assembly Iron Pipe(C) to Footboard use Bolt(H), Flat Washer(F), Lock Washer(G) by Allen Wrench(J).



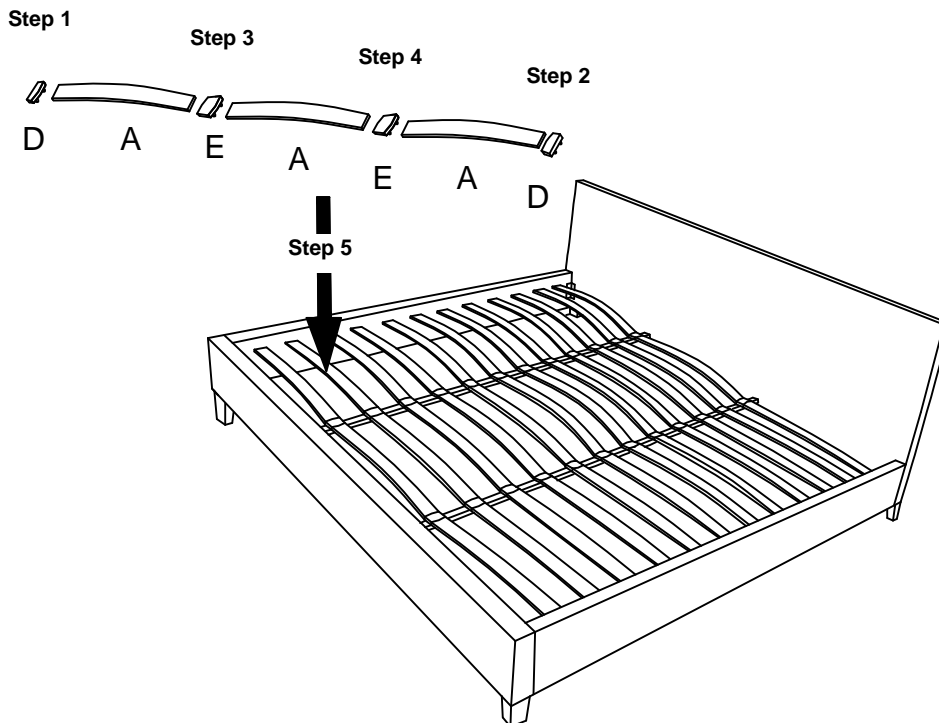
3

Assembly Iron Pipe(K) to Iron Pipe(O) and Iron Pipe(C) with Bolt(L), Flat Washer(F), Lock Washer(G), Nut(M) by Allen Wrench(J) & Wrench(N).



4

Attach Wooden Slat(A) with Single-Sided Cover(D) at both end, then attach the Wooden Slat(A) into Double-Sided Cover(E) and press downward Double-Sided Cover(E) lock in the hole on the center metal rail.



Cleaning & Care

Treat surface with care. Surface is resistant to scratches but is not scratch resistant. Clean surfaces with a dry or damp soft cloth. Do not use abrasive cleaners. Hardware may loosen over time. Periodically check that all connections are tight