



Model(s) Z843M1-XL

Wall-Mount, Sink Faucet with 6" Vacuum Breaker Spout

TAG _____

Architectural/Engineering Specification:

Polished chrome-plated cast brass 8" sink faucet with quarter turn ceramic disc cartridges, 3/8" short swivel inlets providing adjustable centers from 7-1/4" to 8-3/4", integral service stops and a 6" centerline cast brass spout with chemical resistant atmospheric vacuum breaker, 3/4" hose threaded outlet, pail hook and adjustable wall brace. Unit is furnished with 2-1/2" vandal-resistant color-coded brass lever handles. Vacuum breaker is certified to the uniform plumbing code*, ASSE 1001- 2002 and CSA b64-01. (note: atmospheric vacuum breaker not intended for continuous pressure applications.)

Zurn Lead Free products (-XL) is the line of durable, high quality brass faucets and fixtures that are designed and manufactured to comply with Section 1417 of the Safe Drinking Water Act (SDWA) which mandates the weighted average lead content of no more than 0.25% of the wetted surface.



PRODUCT FEATURES:

- 6" Vacuum Breaker Spout with 3/4" Threaded Outlet, Brace and Pail Hook
- 2-1/2" Vandal Resistant Color Coded Lever Handles
- Ceramic Disc Cartridge
- Low-Lead Compliant
- Chrome-plated Cast Brass Body

SUFFIX OPTIONS:

-5H	5' [152cm] Long Vinyl Hose Service Sink Hose with 3/4" Hose Connection
-CS	Check Stops
-LSI	2-1/2" [64mm] Long Swivel Inlets with Integral Stops
-WHK	Wall Hook

Product Compliance:

ADA
 ASME A112.18.1/CSA B125.1
 CSA B125.1
 IPC
 NSF 372

*Complies with ADA & ICC A117.1 accessibility requirements when installed according to the requirements outlined in these standards.

**Although products with certain combinations of options and features will meet or comply with these standards and/or certifications, not every combination of options and features will result in such compliance. If you have any questions about your particular product, please contact our Customer Care Dept. at 1-855-ONE-ZURN (United States) or 1-877-892-5216 (Canada) for confirmation.*

[Installation Guide - CF732.pdf](#)

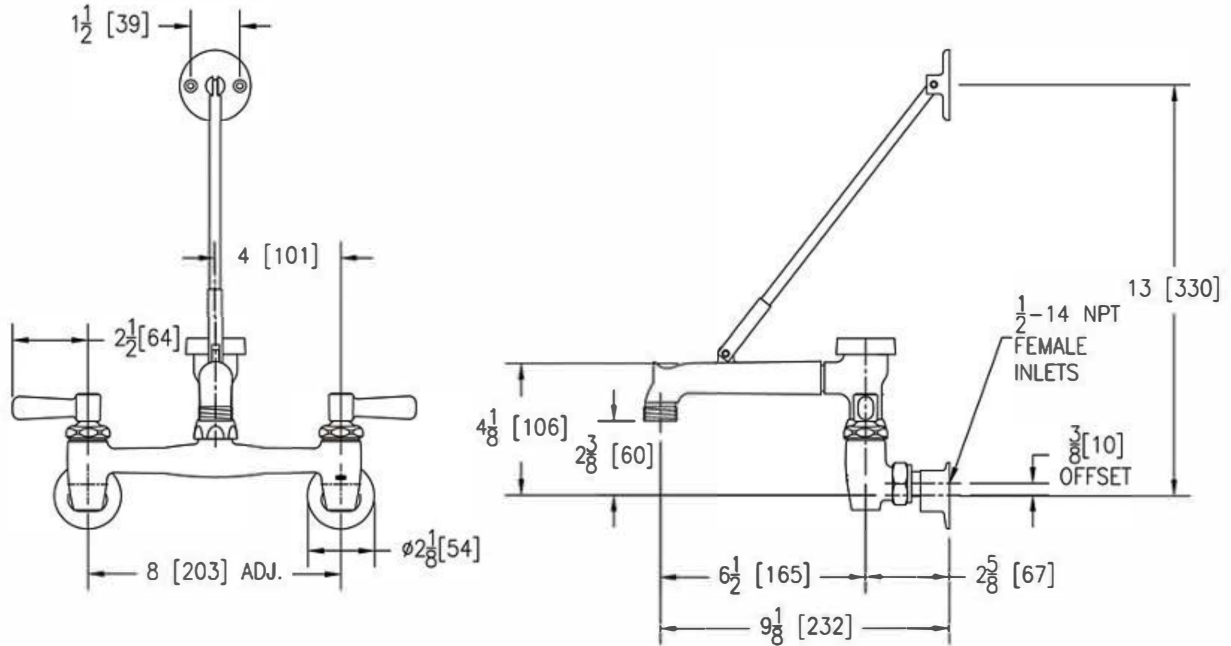
Architectural/Engineering Approval

Design and dimensional data (inches and [mm]) are subject to manufacturing tolerances and change without notice.

⚠ WARNING: Cancer and Reproductive Harm - www.P65warnings.ca.gov

⚠ ADVERTENCIA: Cáncer y daño reproductivo - www.P65warnings.ca.gov

⚠ AVERTISSEMENT: Cancer et effets néfastes sur la reproduction - www.P65warnings.ca.gov



NOTE: All dimensions are for reference only. Do not use for pre-plumbing.

Design and dimensional data (inches and [mm]) are subject to manufacturing tolerances and change without notice.

⚠ WARNING: Cancer and Reproductive Harm - www.P65warnings.ca.gov
 ⚠ ADVERTENCIA: Cáncer y daño reproductivo - www.P65warnings.ca.gov
 ⚠ AVERTISSEMENT: Cancer et effets néfastes sur la reproduction - www.P65warnings.ca.gov