



Water Filtration System

Thank you for purchasing an Everpure commercial-grade water filtration system for your home. With your Everpure system, you get premium quality water direct from your tap that's great-tasting, healthful and convenient for you and your family.

Product Specifications:

- For Cold Water Use Only
- Temperature Range: 35-100°F (2-38°C)
- Min.-Max. Working Pressure: 10-125 psi (0.7-8.6 bar)
- Service Flow Rate: 0.5 gpm (1.9 Lpm)

INSTALLATION INSTRUCTIONS

Product Specifications.....	Page 1
Tools Required.....	Pages 3,5
Basic Installation Instructions.....	Page 3-5
H 1200 Installation Instructions.....	Page 5-6
Claims & Notes.....	Page 6

THE OWNER'S GUIDE IS APPLICABLE FOR THE FOLLOWING EVERPURE FILTER MODELS:



Model H-54
Rated Capacity:
750 G (2835 L)*

Model H-300
Rated Capacity:
300 G (1140 L)*

Model H-300+M
Rated Capacity:
500 G (1892 L)*

Model H-104
Rated Capacity:
1,000 G (3780 L)*

Model H-300-HSD
Rated Capacity:
300 G (1140 L)*

Model H-1200
Rated Capacity:
1,000 G (3780 L)*

*For optimum performance, cartridge replacement is required once a year, or sooner if flow becomes too slow for convenience, or if the unit's rated capacity is reached.

⚠ WARNING The Universal Plumbing Code adopted by over 20 states, and other specific state and county codes prohibit the use of saddle valves and their use is never recommended. You must adhere to your state/local plumbing codes. Consult your licensed plumber if you have related questions.

⚠ WARNING Do NOT use copper tubing with the John Guest Fittings provided with your Everpure Filter System. Copper tubing may appear to fit, but water leaks will develop over time and use. If copper tubing is required, you must use copper compression fittings available from any hardware/plumbing supply.

Multiple Appliance Connections: You can also connect your Everpure Filter to the refrigerator for ice and water, an instant hot dispenser or chiller, or a plumbed-in coffee brewer. Simply install connection "tees" (available from any hardware/plumbing supply) in the water line between the filter and the faucet adaptor, and run new tubing to each appliance.

NOTE: DO NOT connect this system to a commercial ice maker. These appliances require flow and volume beyond the design limits of your under-sink filter system.

NOTE: If connecting to a home icemaker and there is no filter faucet connection under the sink: A flush valve is required.

H 1200 customers: Instructions for installing the H-1200 begin on page 5 of this Installation and Operation Guide.

BASIC INSTALLATION INSTRUCTIONS

Tools Needed For Installation

- Phillips Screwdriver
- Wrench
- Utility Knife
- Measuring Tape
- Pencil

1. OPEN CARTON & INSPECT PARTS

Installation Parts

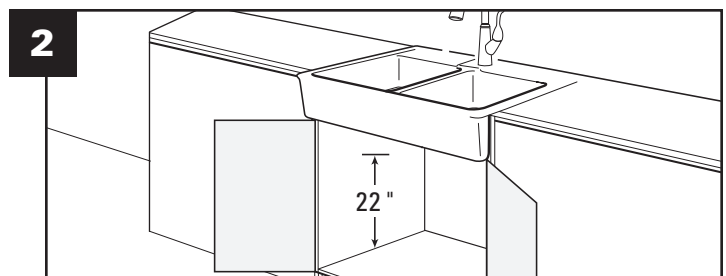
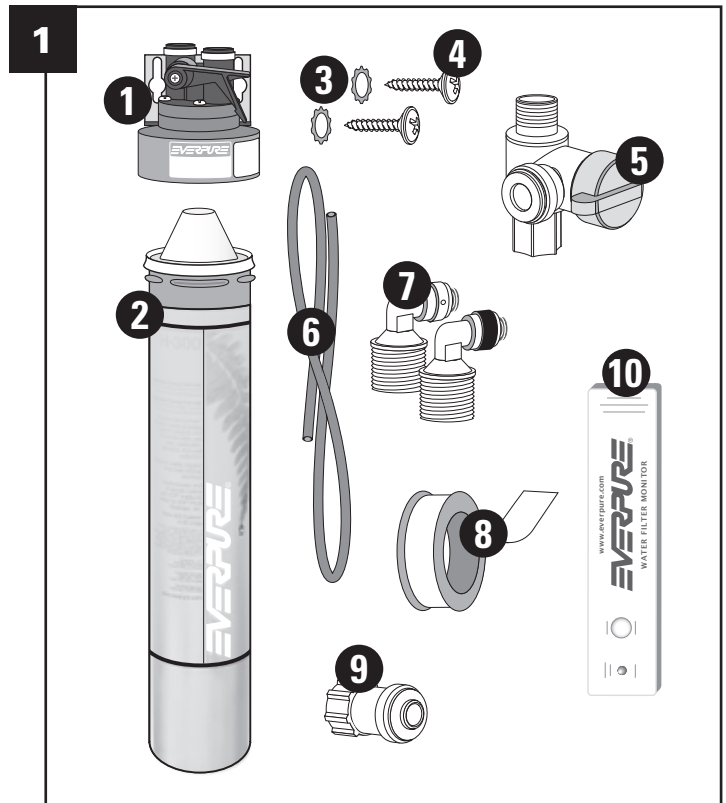
Key	Description	Part No.
1	QL3 Filter Head	EV9258-01
2	Filter Cartridge	(varies)
3	2 Locking Washers	EV3062-04
4	2 Screws	EV3061-96
5	Angle Stop Valve Adaptor	EV3121-20
6	Tubing, 1/4" poly	A08601-19
7	Elbow Fitting Pack Restrictor	EV3081-68
8	Teflon® Tape	EV3121-19
9	Faucet Connector	EV3121-35
10	Everpure Filter Timer	EV9075-70

2. VERIFY UNDER-SINK MOUNTING LOCATION

Measure 22" from the base of the cabinet, and mark the mounting location for the top of the filter head. Make sure there is adequate space above the head to open and close the built in shut-off valve and to avoid crimping the water line tubing. Also, make sure your chosen location offers easy access for future cartridge changes..

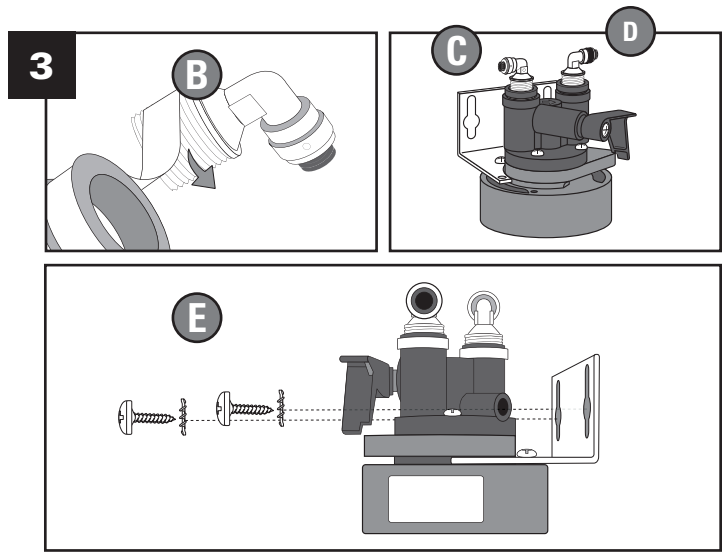
DIMENSION	Width	Height	Depth
H-54	5"	15"	5"
H-104	5"	20"	5"
H-300	5"	22"	5"
H-300 +M	5" w/monitor	22"	5"
H-300-HSD	5"	22"	5"

NOTE: The head and cartridge must be mounted in the vertical position, with the cartridge hanging down.



3. MOUNT FILTER HEAD UNDER SINK

- A. Identify Filter Head and the two Elbow Fittings, and note that the Outlet Fitting has a black band. This fitting includes a small restrictor insert to insure maximum flow at 1/2 gallon per minute.
- B. Apply Teflon Tape to the threads of each Elbow Fitting. Wrap tape in direction of the threads to assure a tight fit and avoid small leaks.
- C. Screw Inlet Elbow Fitting into the left side of the filter head, and hand tighten only.
- D. Screw Outlet Elbow Fitting (black band) into the right side of the filter head in the same manner.
- E. Securely mount the filter head on the cabinet wall using the enclosed mounting screws and washers.



1. ATTACH INLET WATER SUPPLY

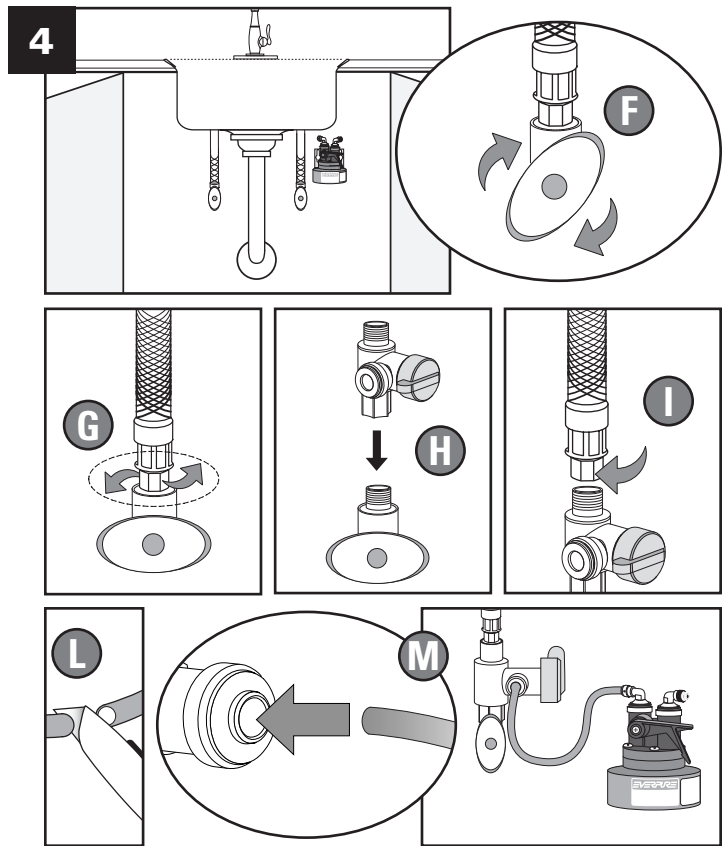
- F. Locate and close the cold water Angle Stop Valve under your kitchen sink. Open cold water line of faucet to release water pressure.
- G. Unscrew and disconnect the braided tubing on top of the Angle Stop Valve .
- H. Attach the bottom of Angle Stop Adaptor to the existing cold water Angle Stop Valve.
- I. Attach the braided tubing to the top of the Angle Stop Adaptor.
- J. Close side valve on Angle Stop Adaptor and open cold water Angle Stop Valve to return water service to kitchen sink. Check for leaks.

NOTE: Teflon® Tape should not be required for these next steps.

- K. Measure length of tubing needed to connect Angle Stop Adaptor to Inlet Elbow Fitting on Filter Head. Allow adequate tubing to avoid sharp turns.
- L. Cut tubing at a 90° angle using a sharp knife.
- M. Insert ends of tubing into quick-connect fittings. Push tube into fitting and gently pull to confirm a tight fit.

5. ATTACH FILTERED WATER TO SINK FAUCET

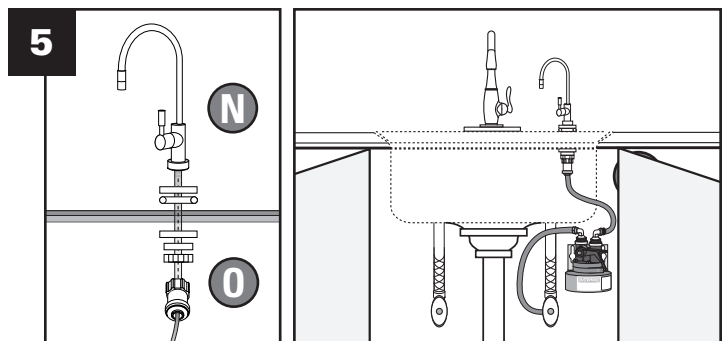
- N. Install separate faucet for filtered drinking water. Follow individual manufacturer's instructions.
- O. Attach Faucet Connector Fitting to bottom end of threads on new faucet assembly. Teflon® Tape should not be required for this step.
- P. Measure length of tubing needed to connect the Outlet Elbow Fitting on Filter Head to the new Faucet Connector Fitting. Allow adequate tubing to avoid sharp turns. Cut and insert each end of the tubing into the fittings.



OPTIONAL FILTER MONITOR (H300+M Filter System)

A Filter Replacement Monitor (EV3112-01) is included with the H300+M Filter System. It is a small water meter that counts the number of gallons used. This Monitor includes quick-connect fittings, and should be installed on the tubing between the filter system and the faucet connector.

Monitor Instructions (Document EV3112-52) are included with the H 300+M System.

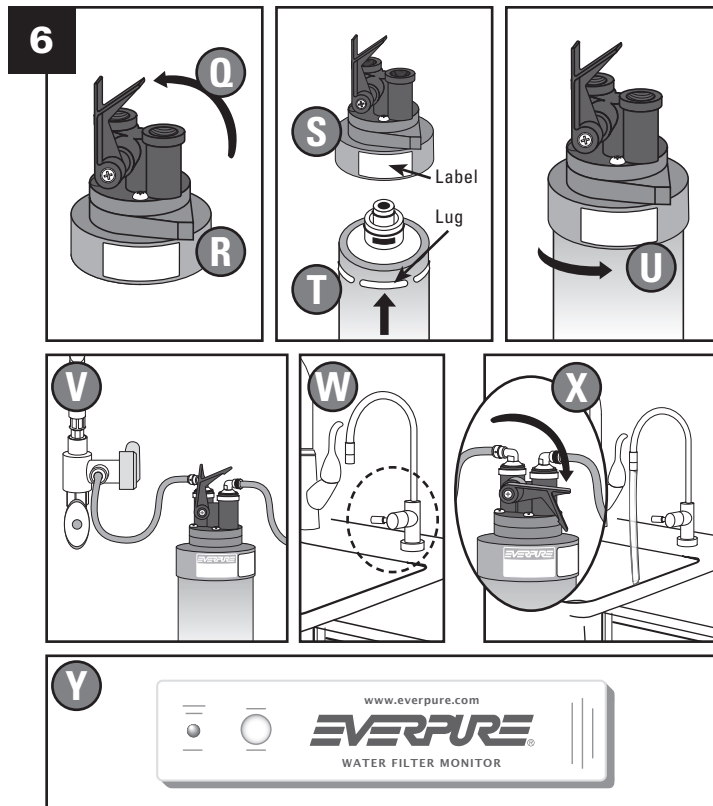


6. INSTALL AND FLUSH FILTER CARTRIDGE

- Q. Lift handle of the build-in shut off (QC Valve) on the Head.
- R. Hold Head firmly with one hand.
- S. Align cartridge lug with label on filter Head.
- T. Insert filter Cartridge – Push upwards.
- U. Turn it to the right – About 1/4 turn – Until rotation stops.
- V. Open Side Valve of Angle Stop Adaptor and check for leaks up to Inlet Elbow Fitting.
- W. Open Filtered Water Faucet.
- X. Lower the QC Valve Handle to flush water to the sink.

NOTE: Flush new filter cartridges for at least 3 minutes to remove air and any loose carbon. At first the water may appear cloudy due to trapped air in the filter and tubing. If water continues to be cloudy for more than one week, please contact Everpure Technical Services for assistance.

- Y. Remove plastic wrapper and pull Tab from back of Everpure Filter Timer. The LED and buzzer will cycle 3 times to confirm the start. It is programmed to flash/sound again in 11 months. Remove adhesive backing and mount Timer in a convenient location under the sink.



H-1200 INSTRUCTIONS

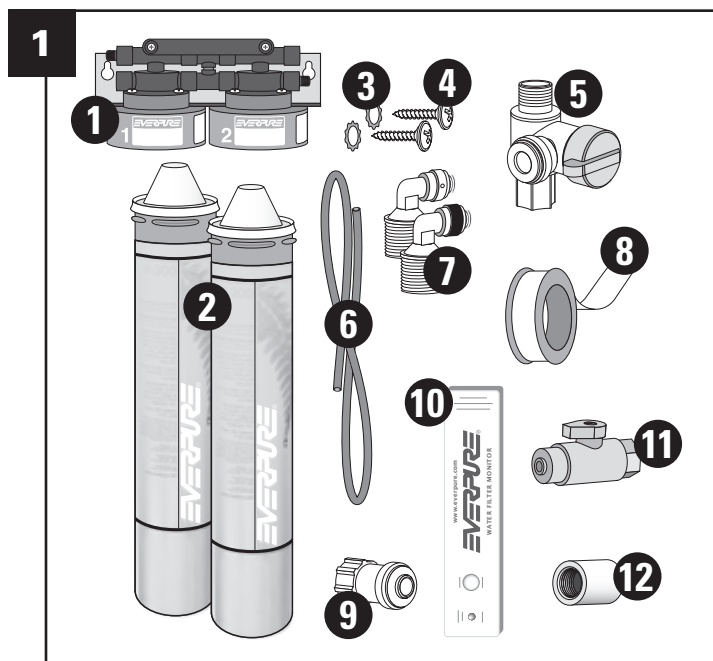
Tools Needed For Installation

- Phillips Screwdriver
- Wrench
- Utility Knife
- Measuring Tape
- Pencil

1. OPEN CARTON & INSPECT PARTS

Installation Parts

Key	Description	Part No.
1	QL Twin Series Filter Head	EV9272-25
2	Filter Cartridges (Set of 2)	EV9282-01
3	2 Locking Washers	EV3062-04
4	2 Screws	EV3061-96
5	Angle Stop Valve Adaptor	EV3121-20
6	Tubing, 1/4" poly	A0860119
7	Elbow Fitting Pack Restrictor	EV3081-68
8	Teflon® Tape	EV3121-19
9	Faucet Connector	EV3121-35
10	Everpure Filter Timer	EV9075-70
11	Shut Off Valve, 3/8" John Guest x 3/8" FPT	EV3098-60
12	Coupler, 3/8" FPT Stainless	EV3123-50



2. VERIFY UNDER-SINK MOUNTING LOCATION

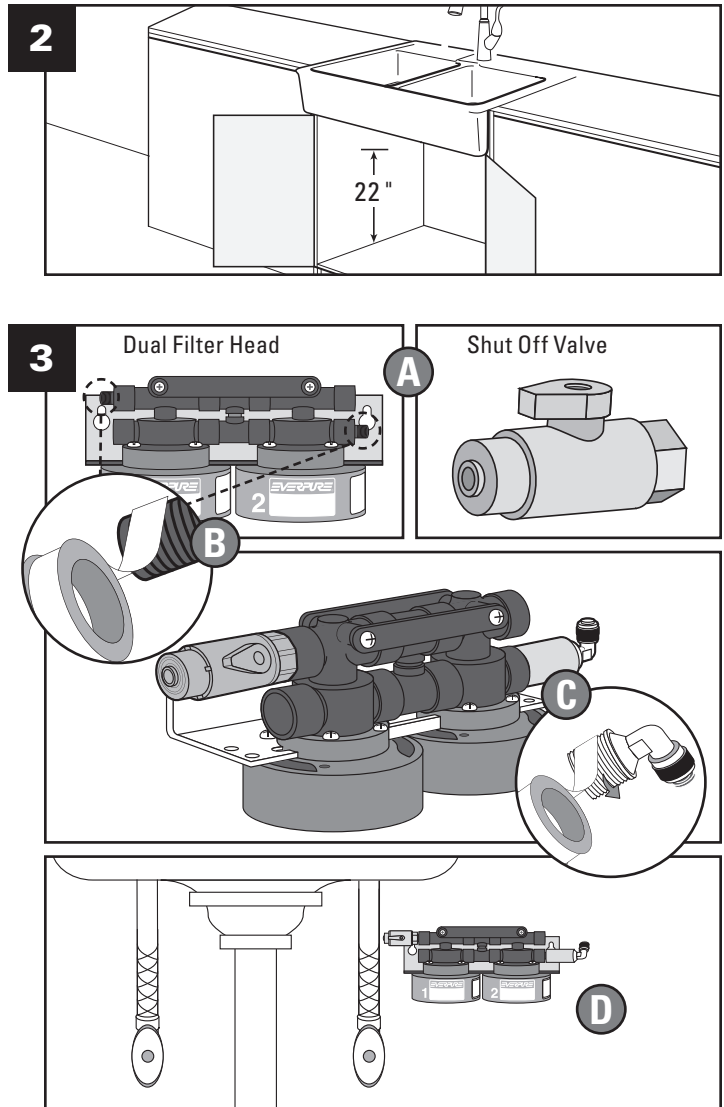
Measure 22" from the base of the cabinet, and mark the mounting location for the top of the filter head. Measure 13" for the width required for the H 1200 System with dual cartridges. Make sure there is adequate space above the head to open and close the shut-off valve and to avoid crimping the water line tubing. Also, make sure your chosen location offers easy access for future cartridge changes.

DIMENSION	Width	Height	Depth
H-1200	13"	22"	5"

NOTE: The head and cartridge must be mounted in the vertical position, with the cartridge hanging down.

3. MOUNT FILTER HEAD UNDER SINK

- A. Identify Dual Filter Head and Shut Off Valve (EV3098-60).
 - B. Apply Teflon Tape to the threads on the inlet (left) side of the Head. Screw on the new Shut Off Valve and hand tighten. Repeat for the Stainless Coupler (EV3123-50) for the outlet (right) side of the Head.
 - C. Apply Teflon Tape to the threads of the Outlet Elbow Fitting (black band). Screw into the outlet of the Stainless Coupler. Wrap tape in direction of the threads to assure a tight fit and avoid small leaks.
 - D. Securely mount the filter head on the cabinet wall using the enclosed mounting screws and washers.
- 4. Go to page 2 and follow *Basic Installation Instructions*, Steps 4, 5, and 6, to complete the H-1200 System installation.**



CLAIMS & NOTES

This installation must comply with all applicable state and local regulations.

Do not use with water that is microbiologically unsafe or unknown quality without adequate disinfection before or after the system. Systems certified for cyst reduction may be used on waters that may contain filterable cysts.

Testing was performed under standard laboratory conditions, actual performance may vary.



Systems Tested and Certified by NSF International against NSF/ANSI Standards 42 and 53 for the reduction of claims specified on the Performance Data Sheet.

Limited Warranty	Garantía limitada	Garantie limitée
<p>You have just purchased one of the finest water treatment units made. As an expression of our confidence in Everpure products, this product is warranted against defects in material and workmanship to the original end-user when installed in accordance with Everpure specifications. The warranty period commences from the date of purchase* and is administered as follows:</p> <p>For a period of ONEYEAR Replaceable elements (i.e., filter & water treatment cartridges)**</p> <p>For a period of FIVEYEARS The entire system (excluding replaceable elements)</p> <p>*PROOF OF PURCHASE REQUIRED</p> <p>**This is for material & workmanship, not filter or water treatment cartridge life.</p> <p>The unit must be used in operating conditions that conform to Everpure's recommended design guidelines. This warranty will not apply if the unit has been modified, repaired or altered by someone not authorized by Everpure.</p> <p>If a part described above is found defective within the specified period, you should notify Everpure technical service at the phone number listed below. Any part found defective within the terms of this warranty will be repaired or replaced (at Everpure's discretion) by your local dealer or Everpure technical service. You pay only freight from our factory and local dealer charges. Any repaired or replaced warranty item will be incorporated under the original warranty terms of the existing system.</p> <p>We are not responsible for damage caused by accident, fire, flood, freezing, Act of God, misuse, misapplication, neglect, oxidizing agents (such as chlorine, ozone, chloramines and other related components), alteration, installation or operation contrary to our printed instructions, or by the use of accessories or components which do not meet Everpure's specifications. Refer to the specifications section in the Installation and Operating manual for approved application parameters.</p> <p>Our product performance specifications are furnished with each water treatment unit. TO THE EXTENT PERMITTED BY LAW, EVERPURE DISCLAIMS ALL IMPLIED WARRANTIES, INCLUDING WITHOUT LIMITATION WARRANTIES OF MERCHANTABILITY AND FITNESS FOR PARTICULAR PURPOSE; TO THE EXTENT REQUIRED BY LAW, ANY SUCH IMPLIED WARRANTIES ARE LIMITED IN DURATION TO THE PERIOD SPECIFIED ABOVE FOR THE ENTIRE WATER TREATMENT UNIT. As a manufacturer, we do not know the characteristics of your water supply or the purpose for which you are purchasing this product. The quality of water supplies may vary seasonally or over a period of time, and your water usage rate may vary as well. Water characteristics can also differ considerably if this product is moved to a new location. For these reasons, we assume no liability for the determination of the proper equipment necessary to meet your requirements, and we do not authorize others to assume such obligations for us. Further, we assume no liability and extend no warranties, express or implied, for the use of this product with a non-potable water source or a water source which does not meet the conditions for use described in the owner's guide or performance data sheet for this product. OUR OBLIGATIONS UNDER THIS WARRANTY ARE LIMITED TO THE REPAIR OR REPLACEMENT (AT EVERPURE'S DISCRETION) OF THE FAILED PARTS OF THE WATER TREATMENT UNIT, AND WE ASSUME NO LIABILITY WHATSOEVER FOR DIRECT, INDIRECT, INCIDENTAL, CONSEQUENTIAL, SPECIAL, GENERAL OR OTHER DAMAGES.</p> <p>Some states do not allow the exclusion of implied warranties or limitations on how long an implied warranty lasts, so the above limitation may not apply to you. Similarly, some states do not allow the exclusion of incidental or consequential damages, so the above limitation or exclusion may not apply to you. This warranty gives you specific legal rights, and you may also have other rights which vary from state to state. Consult your telephone directory for your local independently operated Everpure dealer, or write Everpure for warranty and service information.</p>	<p>Usted ha comprado una de las mejores unidades de tratamiento de agua que se haya hecho. Como una expresión de nuestra confianza en los productos Everpure, este producto está garantizado contra defectos de material y mano de obra al usuario final original cuando se haya instalado según las especificaciones de Everpure. El periodo de garantía comienza desde la fecha de compra* y se administra de la siguiente forma:</p> <p>Por un periodo de UN AÑO Los elementos reemplazables (es decir, el filtro y los cartuchos de tratamiento de agua)**</p> <p>Por un periodo de CINCO AÑOS El sistema completo (excepto los elementos reemplazables)</p> <p>*SE NECESITA COMPROBANTE DE COMPRA</p> <p>**Esto significa por material y mano de obra y no por la vida útil del filtro o del cartucho de tratamiento de agua.</p> <p>La unidad debe usarse en condiciones de funcionamiento que sean conformes con las pautas de diseño recomendadas por Everpure. Esta garantía no aplica si la unidad ha sido modificada, reparada o alterada por alguien no autorizado por Everpure.</p> <p>Si una pieza descrita anteriormente se encuentra defectuosa dentro del periodo especificado, usted debe comunicarse al servicio técnico de Everpure llamando al número de teléfono a continuación. Cualquier pieza que se encuentre defectuosa dentro de los términos de esta garantía será reparada o reemplazada (a discreción de Everpure) por el distribuidor local o por el servicio técnico de Everpure. Usted paga sólo por el transporte desde nuestra fábrica y los cargos del distribuidor local. Cualquier pieza bajo garantía que se repare o reemplace quedará incorporada a los términos de la garantía original del sistema existente.</p> <p>No nos hacemos responsables de daños causados por accidente, incendio, inundación, congelación, fuerza mayor, mal uso, mala aplicación, negligencia, agentes oxidantes (tales como cloro, ozono, cloraminas y otros componentes relacionados), alteración, instalación o funcionamiento contrario a nuestras instrucciones impresas, o por el uso de accesorios o componentes que no cumplan con las especificaciones de Everpure. Consulte la sección de especificaciones del manual de instalación y funcionamiento para obtener los parámetros aprobados de utilización.</p> <p>Las especificaciones de rendimiento de nuestro producto se suministran con cada unidad de tratamiento de agua. DENTRO DEL LÍMITE PERMITIDO POR LA LEY, EVERPURE RECHAZA TODA GARANTÍA IMPLÍCITA, INCLUSO SIN LIMITACIONES, GARANTÍAS DE COMERCIALIZACIÓN Y ADAPTABILIDAD PARA UN OBJETIVO EN PARTICULAR. DENTRO DEL LÍMITE PERMITIDO POR LA LEY, TODA DICHA GARANTÍA IMPLÍCITA ESTÁ LIMITADA EN DURACIÓN AL PERÍODO ESPECIFICADO ANTERIORMENTE PARA LA UNIDAD DE TRATAMIENTO DE AGUA ENTERA. Como fabricante, no conocemos las características de su abastecimiento de agua ni el objetivo para el cual usted compró este producto. La calidad del abastecimiento de agua puede variar por temporada o a lo largo de un periodo de tiempo y su consumo de agua puede igualmente variar. Las características del agua pueden diferir en forma considerable si este producto se traslada a una ubicación nueva. Por estas razones, no asumimos ninguna responsabilidad por la determinación del equipo necesario adecuado para cumplir sus requisitos, y no autorizamos a otros para que asuman dicha responsabilidad por nosotros. Además, no asumimos ninguna responsabilidad ni extendemos ninguna garantía, expresa o implícita, por el uso de este producto con una fuente de agua no potable o por una fuente de agua que no cumple las condiciones de uso descritas en la guía de uso del propietario o la hoja de datos de funcionamiento de este producto. NUESTRAS OBLIGACIONES BAJO ESTA GARANTÍA ESTÁN LIMITADAS A LA REPARACIÓN O REEMPLAZO (A DISCRECIÓN DE EVERPURE) DE LAS PIEZAS DEFECTUOSAS DE LA UNIDAD DE TRATAMIENTO DE AGUA, Y FUERE LO QUE FUERE, NO ASUMIMOS RESPONSABILIDAD ALGUNA POR DAÑOS DIRECTOS, INDIRECTOS, FORTUITOS, CONSECUENTES, ESPECIALES, GENERALES U OTROS.</p> <p>Algunos estados no permiten la exclusión de las garantías implícitas ni las limitaciones de la duración de las garantías implícitas, de manera que la limitación mencionada anteriormente pudiera no aplicar. Similarmente, algunos estados no permiten la exclusión de los daños fortuitos o consecuentes, de manera que la limitación o exclusión mencionadas anteriormente pudieran no aplicar en su caso. Esta garantía le da derechos legales específicos, y usted pudiera tener otros derechos que varían de estado a estado. Consulte su guía de teléfonos local para averiguar el nombre del distribuidor local independiente de productos Everpure, o escriba a Everpure para obtener información sobre garantía y servicio.</p>	<p>Vous venez d'acheter une des meilleures unités de traitement d'eau du marché. Everpure a toute confiance en ses produits et nous garantissons donc ce produit à l'acheteur initial contre les vices de matière et de main d'œuvre si le produit est installé selon les spécifications d'Everpure. La période de garantie commence à la date d'achat* et elle est administrée comme suit :</p> <p>Pour une durée d'UN AN les éléments interchangeables (par ex. cartouches filtrantes ou de traitement d'eau) **</p> <p>Pour une durée de CINQ ANS le système tout entier (à l'exclusion des éléments interchangeables)</p> <p>*PREUVE D'ACHAT REQUISE</p> <p>**Ceci se rapporte aux matériaux et à la main d'œuvre, pas à la durée de vie de la cartouche filtrante ou de traitement d'eau.</p> <p>Cette unité doit être utilisée dans des conditions d'utilisation conformes aux cahiers des charges de conception d'Everpure. Cette garantie ne s'applique pas si l'unité a été modifiée, réparée ou altérée par une personne non autorisée par Everpure.</p> <p>Si une des pièces décrites ci-dessus se trouve être défectueuse pendant la période spécifiée, vous devez en informer le service technique d'Everpure en appelant le numéro ci-dessous. Toute pièce défectueuse selon les termes de cette garantie sera, soit réparée, soit remplacée (au choix d'Everpure) par votre détaillant local ou par le service technique d'Everpure. Vous ne paierez que pour l'expédition de notre usine et les frais du détaillant local. Tout article réparé ou remplacé sous garantie sera incorporé dans les termes de la garantie originale du système existant.</p> <p>Nous ne sommes pas responsables des dégâts causés par accident, incendie, inondation, gel, catastrophe naturelle, usage incorrect, application incorrecte, négligence, agents oxydants (tels que chlore, ozone, chloramines et autres produits de la même famille), modification, installation ou utilisation contraire à nos consignes imprimées, ou par l'usage d'accessoires ou de composants qui ne sont pas conformes aux spécifications d'Everpure. Reportez-vous aux spécifications techniques se trouvant au mode d'emploi et d'installation pour les paramètres agréés d'application.</p> <p>Les performances techniques de notre produit sont fournies avec chaque unité de traitement d'eau. DANS LES LIMITES DE LA LOI, EVERPURE DÉCLINE TOUTES LES GARANTIES TACITES, Y COMPRIS MAIS SANS Y ÊTRE LIMITÉ, LES GARANTIES QUE LE PRODUIT EST COMMERCIALISABLE ET QU'IL CONVIENT À UN USAGE PARTICULIER; DANS LES LIMITES DE LA LOI, CES GARANTIES TACITES SONT LIMITÉES EN DURÉE À LA PÉRIODE SPÉCIFIÉE CI-DESSUS POUR LE SYSTÈME DE TRAITEMENT D'EAU AU COMPLET. En tant que fabricant, nous ne connaissons pas les caractéristiques de votre alimentation en eau ou la raison pour laquelle vous avez acheté ce produit. La qualité d'une alimentation en eau peut varier suivant les saisons ou dans le temps et votre consommation d'eau peut également varier. Les caractéristiques de l'eau peuvent également différer considérablement si ce produit est emmené dans un endroit différent. Pour ces raisons, nous n'assumons aucune responsabilité pour la détermination de l'équipement correct convenant à vos besoins et nous n'autorisons personne à prendre ces responsabilités de notre part. De plus, nous n'assumons aucune responsabilité et ne consentons aucune garantie, expresse ou tacite, pour l'utilisation de ce produit sur une alimentation en eau non potable ou une alimentation en eau qui n'est pas conforme aux conditions d'utilisation spécifiées au guide de l'utilisateur ou à la fiche technique de ce produit.</p> <p>NOS OBLIGATIONS AU REGARD DE CETTE GARANTIE SONT LIMITÉES À LA RÉPARATION OU AU REMPLACEMENT (AU CHOIX D'EVERPURE) DES PIÈCES DÉFECTUEUSES DE L'UNITÉ DE TRAITEMENT D'EAU ET NOUS N'ASSUMONS ABSOLUMENT AUCUNE RESPONSABILITÉ POUR TOUT DOMMAGE DIRECT, INDIRECT, ACCESSOIRE, RÉSULTANT, PARTICULIER GÉNÉRAL OU AUTRE.</p> <p>Certains états n'autorisent pas l'exclusion des garanties tacites ou la limitation de durée des garanties implicites, ainsi les limitations ou exclusions mentionnées ci-dessus ne s'appliquent donc pas forcément à vous. De même, certains états n'autorisent pas l'exclusion des dommages accessoires ou indirects, ainsi les limitations ou exclusions mentionnées ci-dessus ne s'appliquent donc pas forcément à vous. Cette garantie vous donne des droits légaux spécifiques et vous avez également d'autres droits éventuels qui varient d'état à état. Consultez votre annuaire téléphonique pour trouver un détaillant indépendant Everpure, ou écrivez à Everpure pour vous renseigner sur la garantie et les réparations.</p>

Buyer/Comprador/Acheteur

Seller/Vendedor/Vendeur

Date/Fecha/Date

