



Easy Assembly — Heavy-duty Underdesk Hook

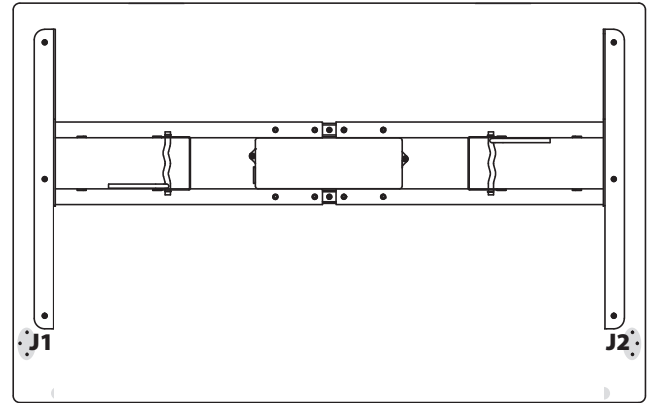
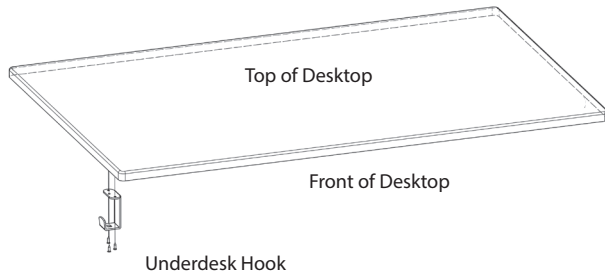
Keep your backpack, headphones, or lunch bag hanging around for quick access.



If your desktop has predrilled holes in locations J1 and J2, follow these instructions.

For Desktops WITH predrilled holes.

Fasten the Heavy-duty Underdesk Hook to the underside of the Desktop using the 5/8" long screws provided. Be careful not to overtighten the screws. Refer to the Desktop Accessory Diagram for the predrilled holes in locations J1 and J2.

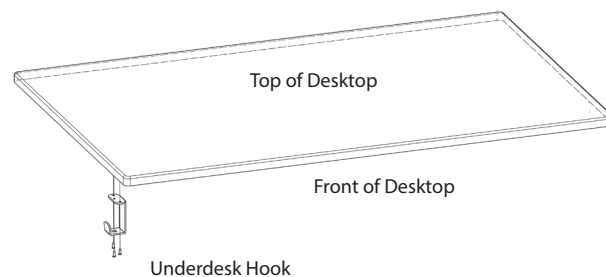
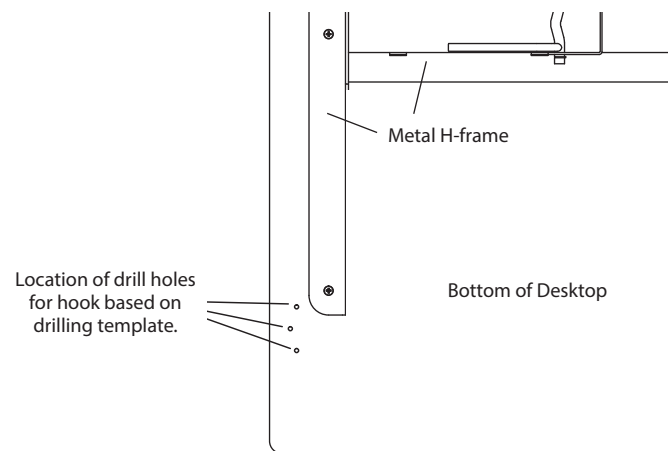


If your desktop does not have predrilled holes in locations J1 and J2, follow these instructions.

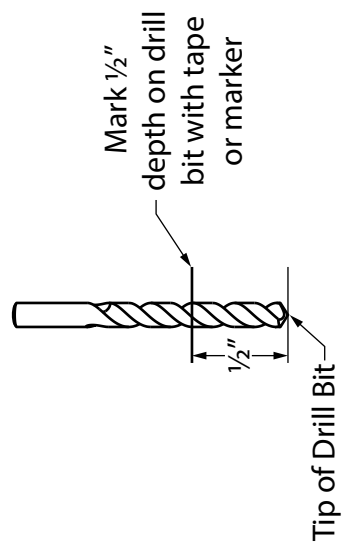
For Desktops WITHOUT predrilled holes.

- 1 Prepare to drill three holes to mount the Heavy-duty Underdesk Hook.
 - Tools required: drill, 1/8" drill bit, Phillips screwdriver, masking tape
 - Use the Drill Bit Depth gauge (opposite side of page) to mark 1/2" depth on the drill bit to avoid drilling through the Desktop
- 2 Choose which side of the desk you'd like to mount the hook.
- 3 Place the Desktop face down on a soft, nonabrasive surface.
- 4 Place the Drill template (opposite side of page) on the bottom of the desktop. Attach the Drill template with masking tape.
- 5 Mark and drill three holes.

Only drill 1/2" deep to avoid damage to the Desktop.
- 6 Attach the Heavy-duty Underdesk Hook using the 5/8" long screws provided. Do not overtighten.



1/8" Drill Bit Depth Gauge



Location of drill holes for hook based on drilling template.



Location of drill holes for hook based on drilling template.

← Line up with edge of Desktop

← Line up with edge of Desktop

Bottom of Desktop

Bottom of Desktop

Underdesk Drill Template

→ To mount on LEFT side of Desktop

→ Front of Desktop

→ To mount on RIGHT side of Desktop