

Installation Instructions

Smart Toilet

Record your model number:
Noter le numéro de modèle:
Anoté su número de modelo: _____

Français, page 13
Español, página 24







KOHLER®

Thank You for Choosing KOHLER

Need help? Contact our Customer Care Center.

- USA/Canada: 1-800-4KOHLER (1-800-456-4537) Mexico: 001-800-456-4537
Hours of Operation: Monday-Friday 8:00 AM -5:00 PM (CT)
Languages Spoken: English, Spanish, and translation services are available.
- **Service parts:** kohler.com/serviceparts
- **Care and cleaning:** kohler.com/clean
- **Patents:** kohlercompany.com/patents

Important Information

-  **WARNING: Risk of electric shock.** Disconnect the power before servicing.
-  **WARNING: Risk of electric shock.** Connect only to a properly grounded dedicated circuit protected by a Class A Ground-Fault Circuit-Interrupter (GFCI)*. Use 120 V, 60 Hz, 15 A service. Do not remove the grounding pin or use a grounding adapter.
-  **WARNING: Risk of electric shock.** Grounding is required. A qualified electrician should make all electrical connections.
-  **CAUTION: Risk of personal injury.** This product is heavy. Lift the toilet with two people, using proper lifting technique.
-  **CAUTION: Risk of hazardous gases.** If the new toilet is not installed immediately, temporarily place a rag in the floor flange.
-  **CAUTION: Risk of property damage.** This product is not intended to be installed where temperatures will drop below 32°F (0°C). The design of the toilet makes it difficult to remove all water from the tank. If frozen, the water could damage the tank resulting in leaking.

IMPORTANT! This product requires a minimum static pressure of 30 psi (206.8 kPa) for satisfactory rim wash performance. Maximum static pressure is 80 psi (552 kPa).

IMPORTANT! Use the supply hose provided with the product. Do not reuse a previously installed hose.


Follow all local plumbing, building, and electrical codes.

Installation of a water-hammer arrestor is recommended.

*Outside North America, this may be known as a Residual Current Device (RCD).

Grounding Instructions

This product should be grounded. In the event of an electrical short circuit, grounding reduces the risk of electric shock by providing an escape wire for the electric current. This product is equipped with a cord having a grounding wire with a grounding plug. The plug must be plugged into an electrical outlet that is properly installed and grounded.

 **DANGER: Risk of electric shock.** Improper use of the grounding plug can result in a risk of electric shock.

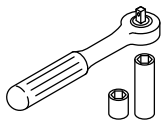
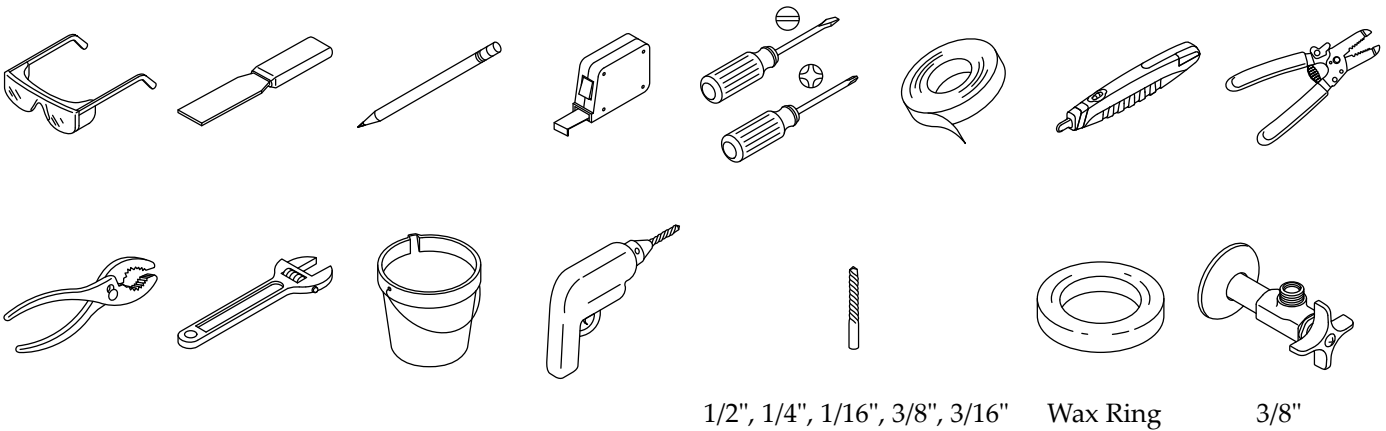
If repair or replacement of the cord or plug is necessary, do not connect the grounding wire to either flat blade terminal. The wire with insulation having an outer surface that is green with or without yellow stripes is the grounding wire.

Check with a qualified electrician or service personnel if the grounding instructions are not completely understood, or if in doubt whether the product is properly grounded.

This product is factory equipped with a specific electric cord and plug to permit connection to a proper electric circuit. Verify that the product is connected to an outlet having the same configuration as the plug. No adapter should be used with this product. Do not modify the plug provided. If the plug does not fit the outlet, have the proper outlet installed by a qualified electrician. If the product must be reconnected for use on a different type of electric circuit, the connection should be made by qualified service personnel.

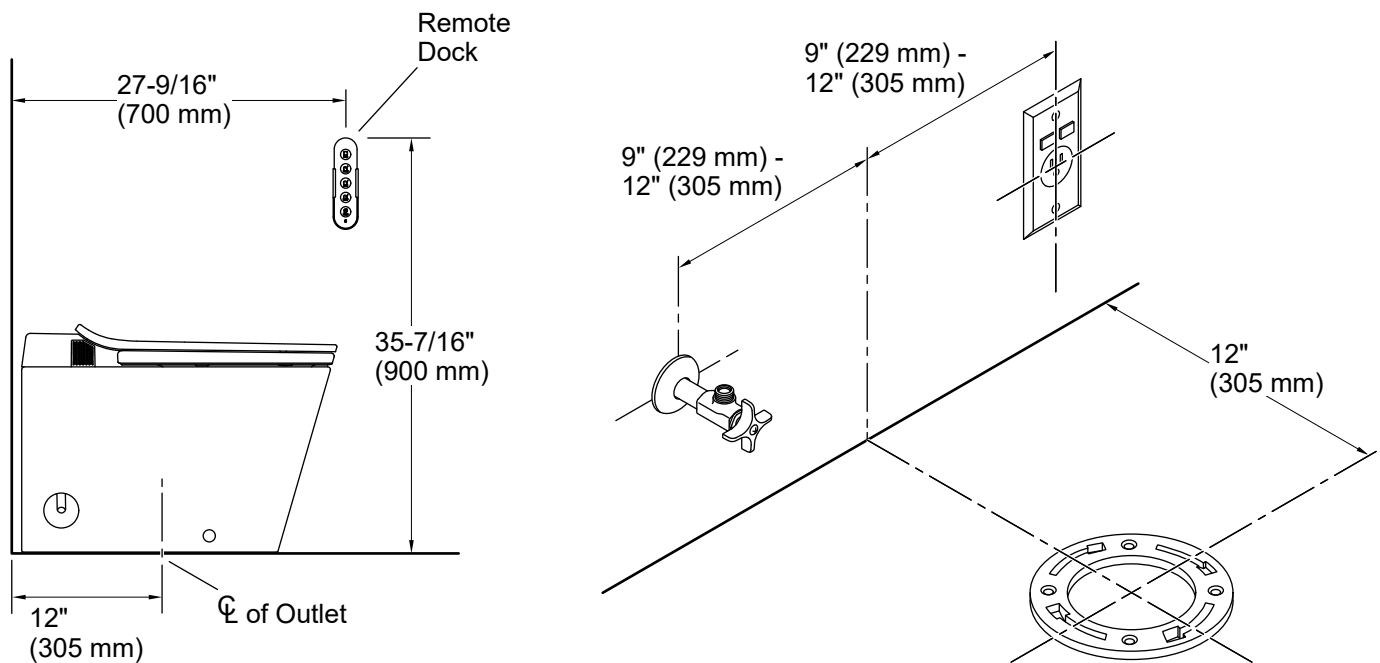
Do not use an extension cord with the product.

Tools and Materials



1/2" Deep Socket

1. Prepare the Site



⚠ WARNING: Risk of electric shock. Connect only to a properly grounded dedicated circuit protected by a Class A Ground-Fault Circuit-Interrupter (GFCI)*. Use 120 V, 60 Hz, 15 A service. Do not remove the grounding pin or use a grounding adapter.

⚠ CAUTION: Risk of hazardous gases. If the new toilet is not installed immediately, temporarily place a rag in the closet flange.

NOTICE: Do not locate the supply stop or electrical outlet directly behind the toilet. The locations illustrated above are suggested. The supply stop and electrical outlet can be located on either side of the toilet. Verify that all installations adhere to applicable codes.

The toilet is equipped with a motion sensor to automatically open the cover when movement is sensed. This sensor has a maximum range of 51-1/2" (1300 mm). Sensitivity can be adjusted or turned off using the remote control. Refer to the Homeowners Guide.

*Outside North America, this may be known as a Residual Current Device (RCD).

Turn OFF the water supply.

Remove the old toilet.

Remove the wax residue from the flange.

Uninstall T-bolts from the flange.

Install the Water Supply

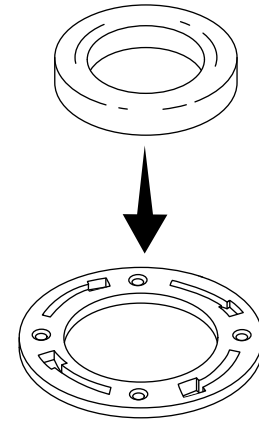
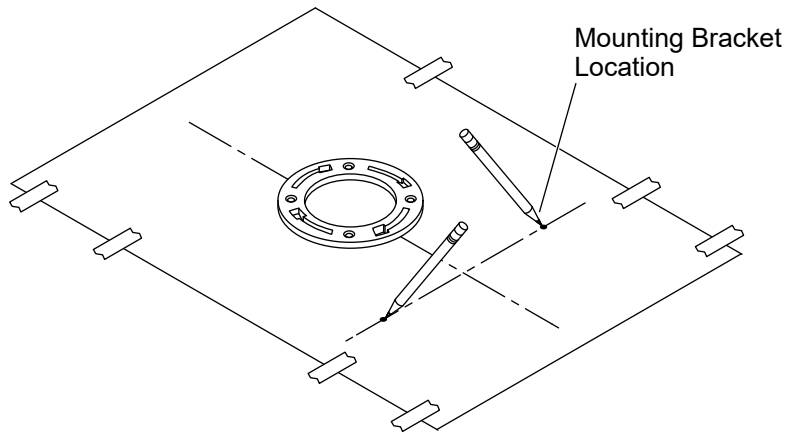
- Install the water supply stop.
- Flush the water supply line into a bucket or other container to remove debris.

Install the Electrical Service

NOTE: The toilet power cord is 35" (0.9 m) in length.

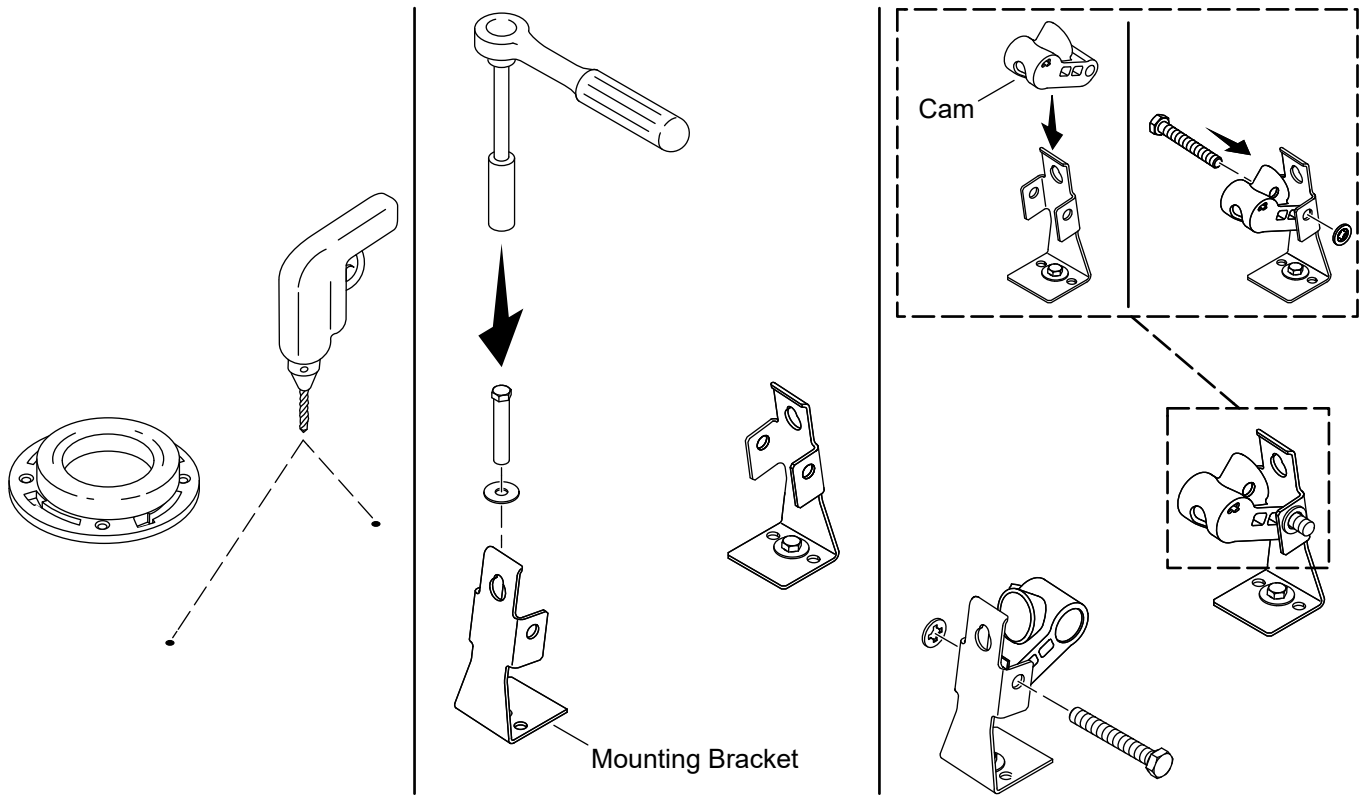
- Locate a dedicated 120 V, 15 A minimum, 60 Hz grounding-type receptacle, protected by a GFCI or RCD, within the dimensions shown.

2. Mark the Mounting-Hole Locations



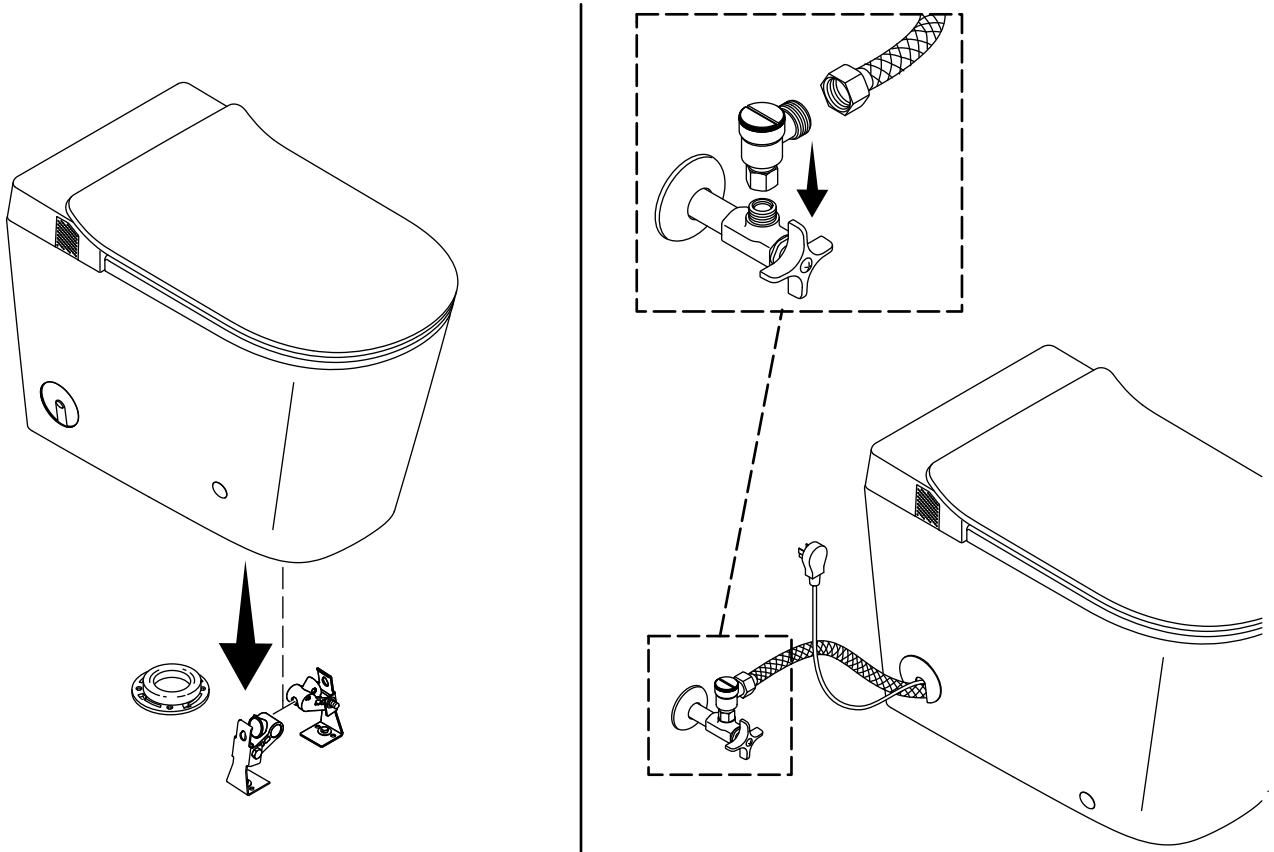
- Tape the template in position over the flange.
- Mark the two hole locations for the mounting brackets.
- Remove the template.
- Position the wax ring on the flange.

3. Install the Bracket and Cams



- At the two mounting bracket hole locations, drill a 3/16" pilot holes or a 1/2" holes if an anchor will be used.
- If anchors will be used, insert a supplied anchor in each of the holes.
- Position the mounting brackets over the mounting holes.
- Secure the mounting brackets with two of the supplied lag bolts.
- Install the plastic cam onto the brackets using the supplied washers and bolts.

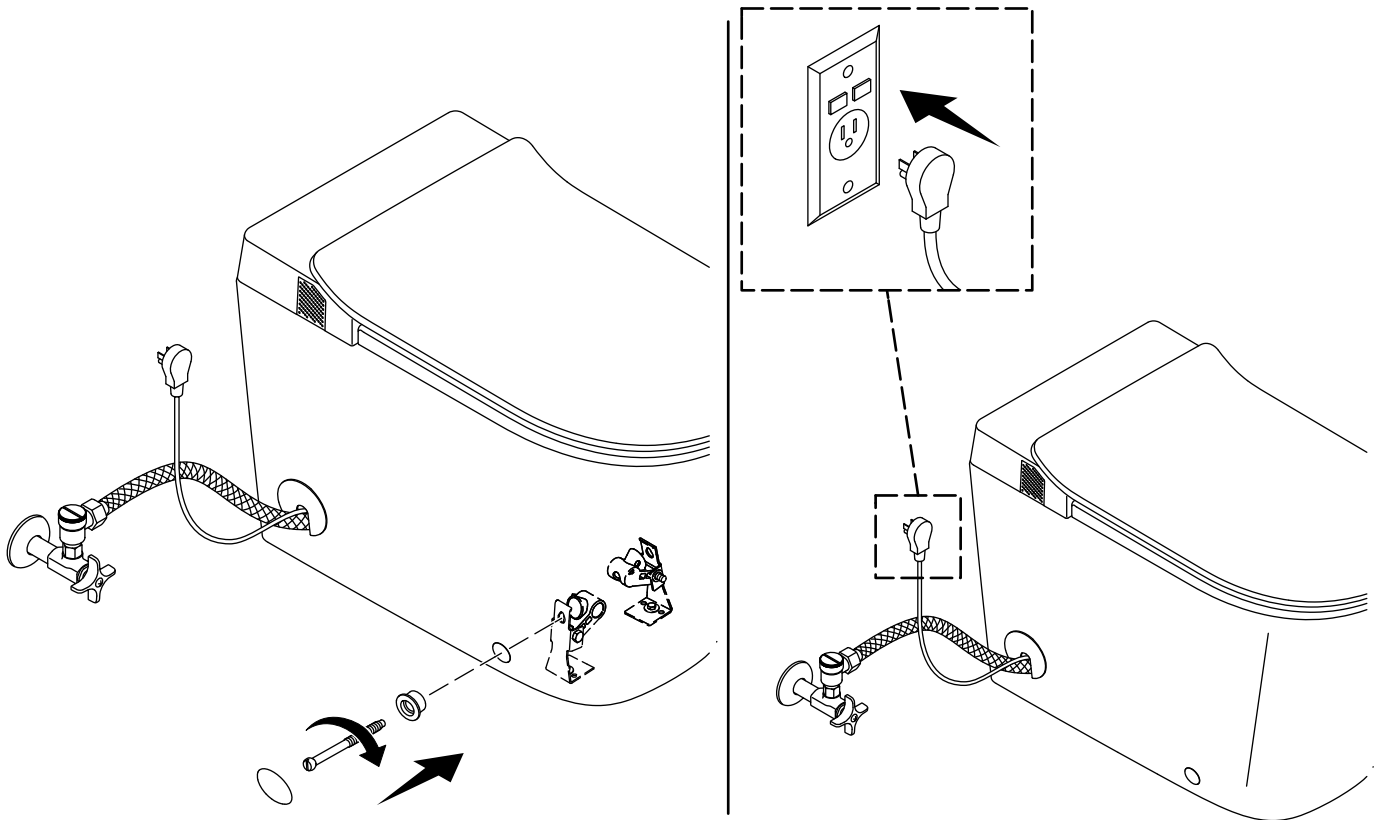
4. Install the Toilet



⚠ CAUTION: Risk of personal injury. This product is heavy. Lift the toilet with two people, using proper lifting technique.

- Route the water supply line and power cord out to either side of the toilet. The toilet allows the water supply line and power cord to be routed from either side.
- With assistance, lift the toilet over the floor flange and mounting brackets.
- Carefully lower the toilet onto the floor flange and mounting brackets.
- Verify that the water supply line and power cord are not pinched under the toilet.
- Install the appropriate cap to the side of the toilet. Use the slotted cap to accommodate the supply line and cord routed out the side. Otherwise, use the solid cap.
- Connect the provided filter to the supply stop.
- Connect the water supply hose to the filter.
- Turn ON the water supply.

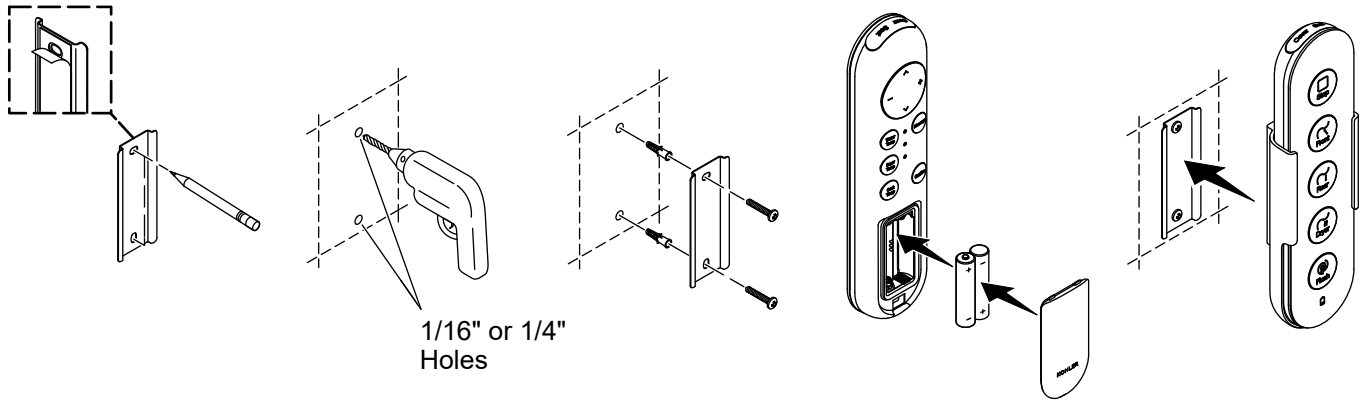
5. Secure the Toilet



⚠ CAUTION: Risk of product damage. Do not overtighten the screws. The vitreous shell may chip or break if the screws are overtightened.

- Insert a grommet into each of the holes on the side of the toilet.
- Insert a screw into each of the holes and tighten securely. **Do not overtighten!**
- Install a cap over each screw. The caps should be flush with the exterior of the toilet.
- Plug the power cord into the electrical outlet.
- Wait for the start-up procedure to complete.
- Press the flush button and let the toilet fully refill.
- Check all connections for leaks, and make adjustments as needed.

6. Install the Docking Station



NOTE: The double-sided tape on the back of the docking station is only used for prepositioning during installation. For reliable installation, use the screws included in the accessory bag.

- Position the docking station at the desired mounting location.
- Confirm that the docking station is level.
- Using a pencil, mark the two mounting-hole locations.
- For installation into a stud or other wood surface:** Drill a 1/16" hole at each of the marked locations.
- For installation using wall anchors:** Drill a 1/4" hole at each of the marked locations. Install the provided wall anchors into the holes.
- Position the docking station over the anchors or marks. Secure with the provided screws.
- Install the caps on the screws.
- Remove and retain the cover to the battery compartment.
- Install the two provided AAA batteries in the orientation shown.
- Reinstall the cover to the battery compartment.
- Place the remote control into the docking station.

Remote Control Setup

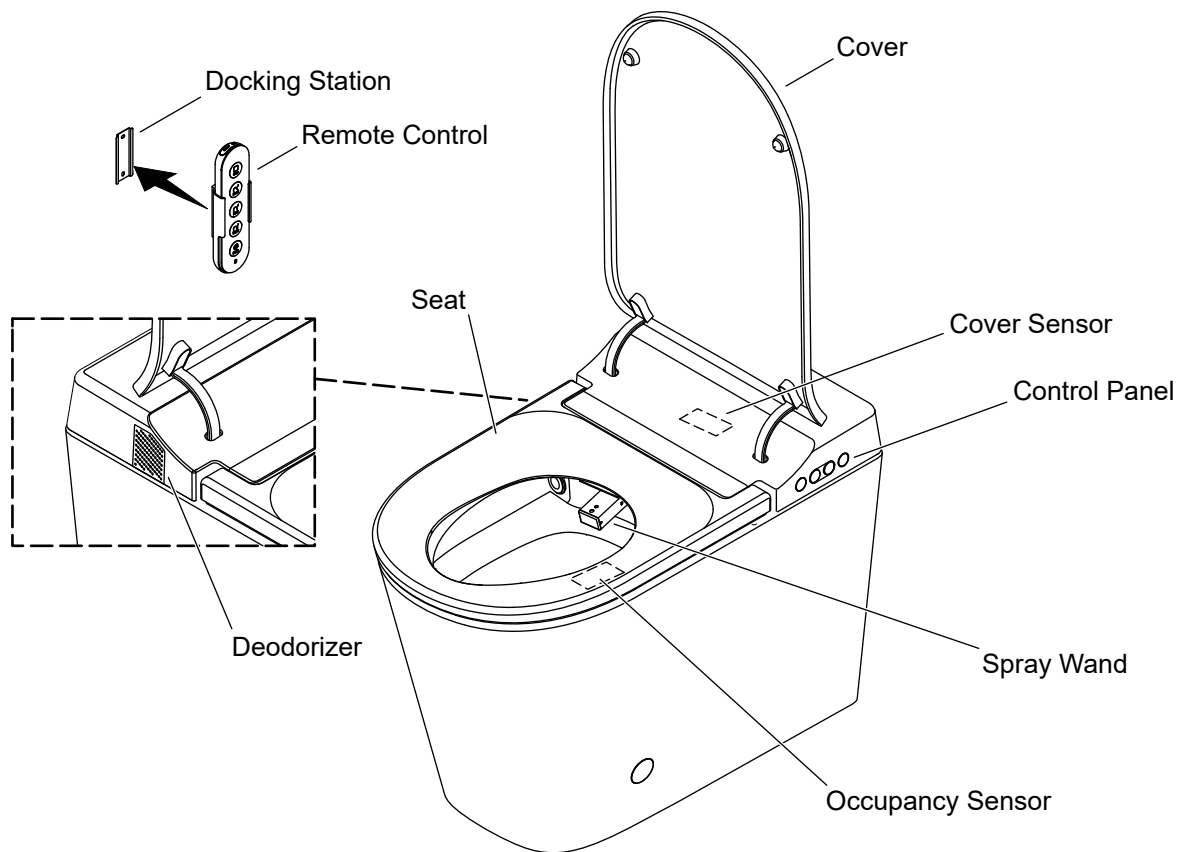
NOTE: A remote control must be paired with the toilet seat before use. The included remote control should already be paired with your seat. If a replacement remote control is required, follow the instructions below to pair with your seat.

NOTE: Only one remote control can be paired with the toilet seat at a time.

NOTE: The remote control cannot be paired while the toilet seat is occupied.

- Verify that two AAA batteries are installed correctly in the remote control.
- Move the new remote control near the toilet seat.
- Verify that all other remote controls have been removed from the seat area.
- Press and hold the **“Dryer Temp”** icon on the remote control until the icons blink.
- Simultaneously press and hold the **“Front”** and **“Rear”** icons on the toilet control panel until a beep is heard.
- When the icons on the remote control stop blinking, the remote control has been paired.

7. Installation Checkout



NOTE: The toilet cleansing features require an occupant to function. Cover the occupancy sensor area to test the cleansing features.

NOTE: When testing the cleansing features, cover the seat with plastic wrap or cover the wand with your hand.

- Cover the cleansing wand with your hand or span plastic wrap across the seat.
- Use your hand or a wet cloth to apply pressure to the occupancy sensor area located on the front right side of the seat.
- Use the remote control to test the toilet features.
- Refer to the Homeowners Guide packed with the product for general troubleshooting aid.