

8 7 6 5 4 3 2 1

D

D

C

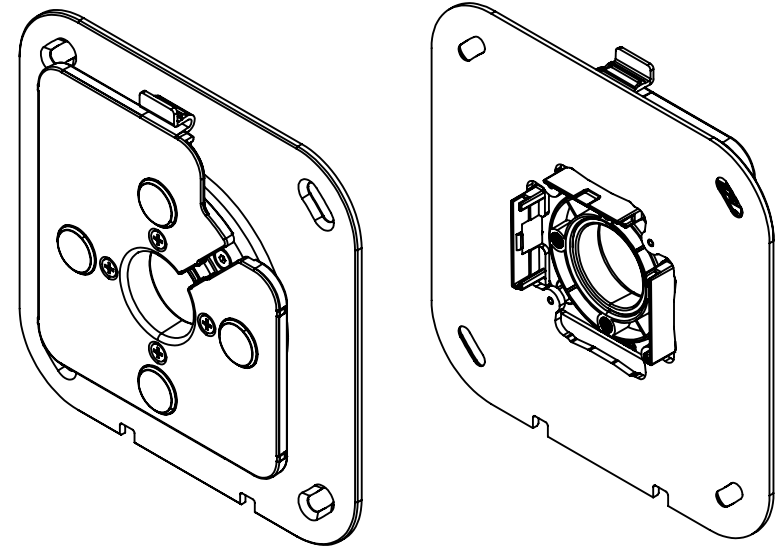
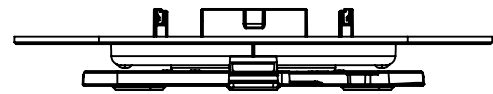
C

B

B

A

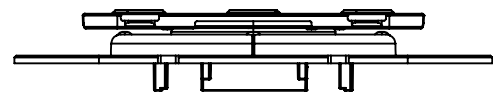
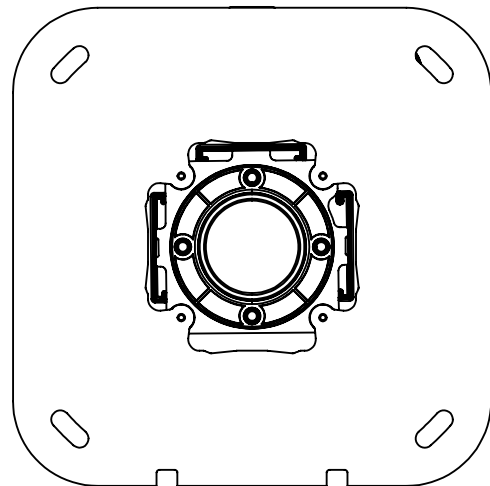
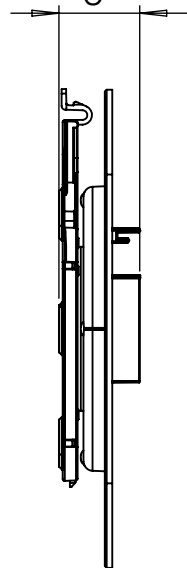
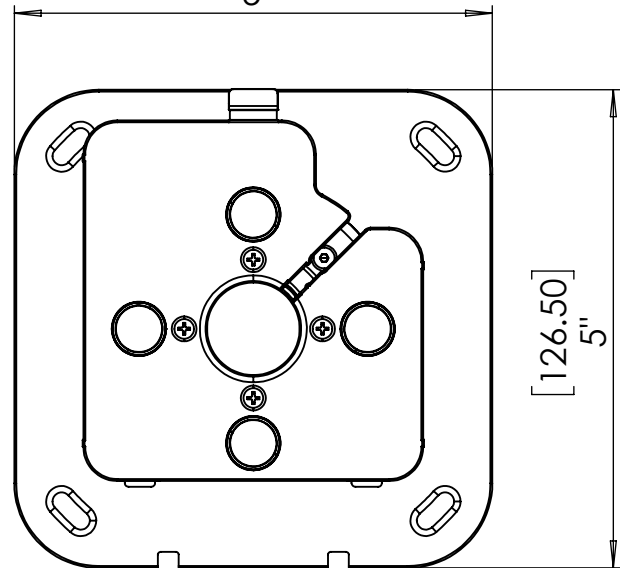
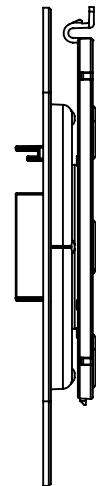
A



[126.50]
5"


[21.40]
7/8"

[126.50]
5"



UNLESS OTHERWISE SPECIFIED:		NAME	DATE
DIMENSIONS ARE IN INCHES [MM]			
TOLERANCES:			
FRACTIONAL ±			
ANGULAR ±			
TWO PLACE DECIMAL ±			
THREE PLACE DECIMAL ±			
INTERPRET GEOMETRIC TOLERANCING PER:		COMMENTS:	
MATERIAL:			
FINISH:			
DO NOT SCALE DRAWING		RELEASED ON:	

DRAWN		NAME		DATE	
CHECKED					
ENG. APP. Alex Bertagni		26 Mar 20			
MFG. APP. Alex Bertagni		26 Mar 20			
Q.A. APP.					

 DANA INNOVATIONS		
TITLE: 72356 CONNECT MOUNT - WALL BLK		
SIZE	DWG. NO.	REV
B		A
SCALE: 1:2	WT:	SHEET 1 OF 1

PROPRIETARY AND CONFIDENTIAL
 THE INFORMATION CONTAINED IN THIS DRAWING IS THE SOLE PROPERTY OF DANA INNOVATIONS. ANY REPRODUCTION IN PART OR AS A WHOLE WITHOUT THE WRITTEN PERMISSION OF DANA INNOVATIONS IS PROHIBITED.

8 7 6 5 4 3 2 1