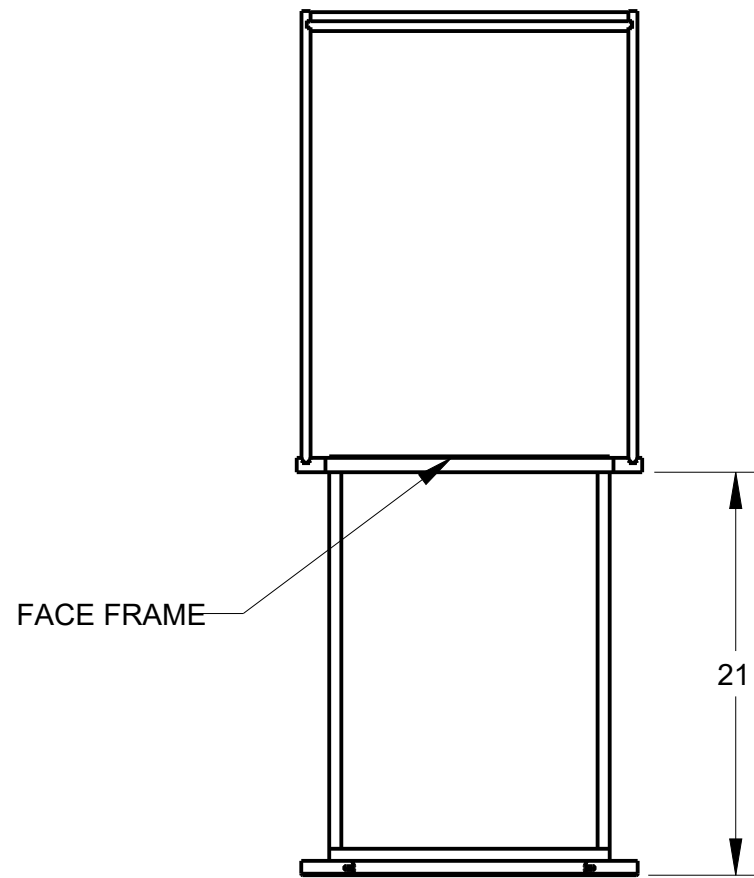
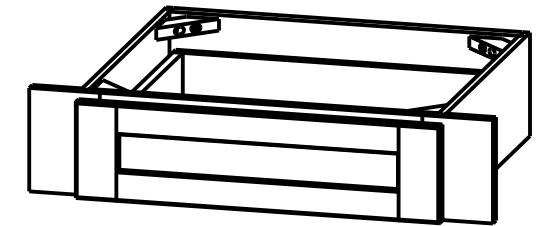
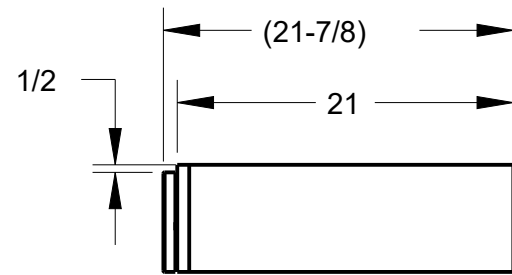
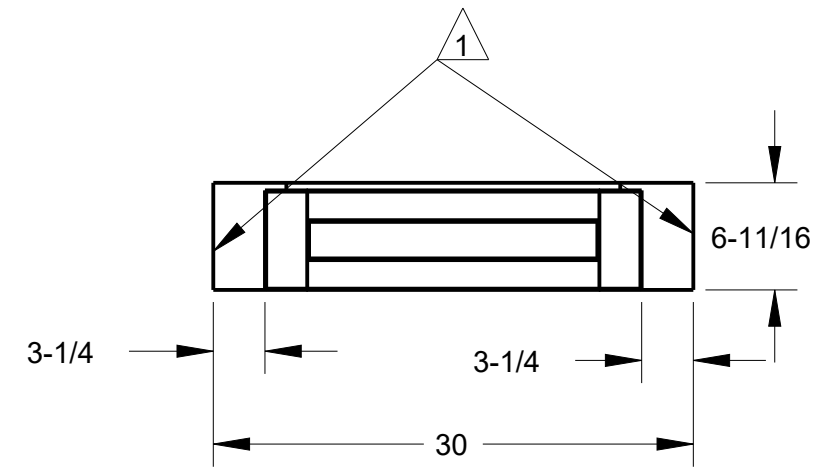


NOTE:

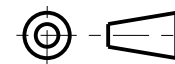
1 FACEFRAME CAN BE TRIMMED UP TO 3" ON EITHER SIDE OF THE DRAWER FRONT.



DRAWER OPEN

PRODUCT	DRAWER FRONT SIZE	DRAWER SIZE
	ROUNDED TO THE NEAREST 1/32	
KD30_FULL_OVERLAY	30" X 6 11/16"	23 17/32" X 6 7/32"

THIRD ANGLE PROJECTION



MATERIAL

FINISH

N/A

N/A

DRAWN BY
E.GOLESTANYAN

DATE
23JUN2020

DESIGNED BY
NORTHPOINT

DATE

APPROVED BY
ANDY BROWN

DATE
25JUN2020

**hardware
resources**

DESCRIPTION

KD30 FULL_OVERLAY

DRAWING
KD30_FULL_OVERLAY

REV
B

SIZE
A3

SCALE
0.083

SHEET
1 / 1

DOCUMENT STATUS Released

HARDWARE RESOURCES RESERVES THE RIGHT TO CHANGE SPECIFICATIONS WITHOUT NOTICE.
IN CASE OF A DISCREPANCY, ACTUAL PART GEOMETRY SUPERSEDES THIS DOCUMENT.

THE INFORMATION CONTAINED WITHIN THIS DRAWING IS THE SOLE PROPERTY OF HARDWARE RESOURCES INC. ANY REPRODUCTION IN PART OR WHOLE WITHOUT WRITTEN PERMISSION OF HARDWARE RESOURCES INC. IS PROHIBITED.