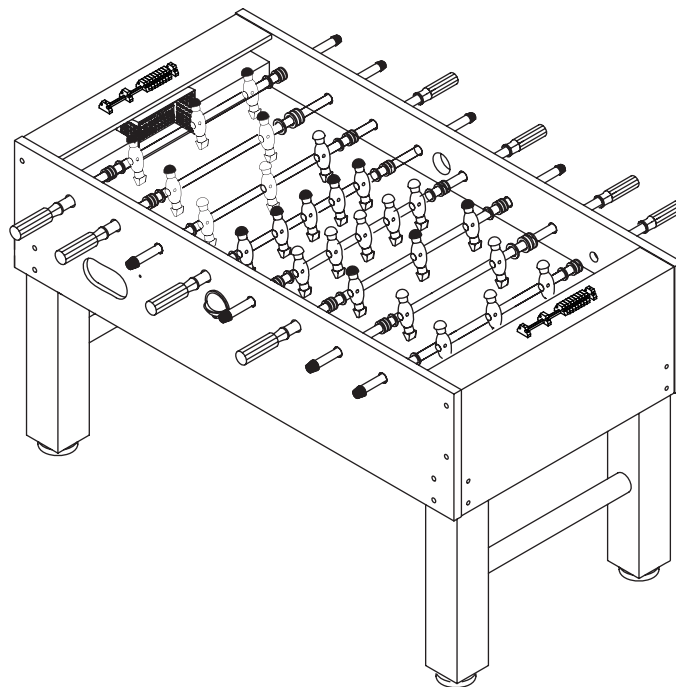




TIRADE MMXI SOCCER TABLE



Replacement Parts

Order direct at www.gldproducts.com
or call our Customer Service department at
(800) 225-7593
8 am to 4:30 pm Central Standard Time

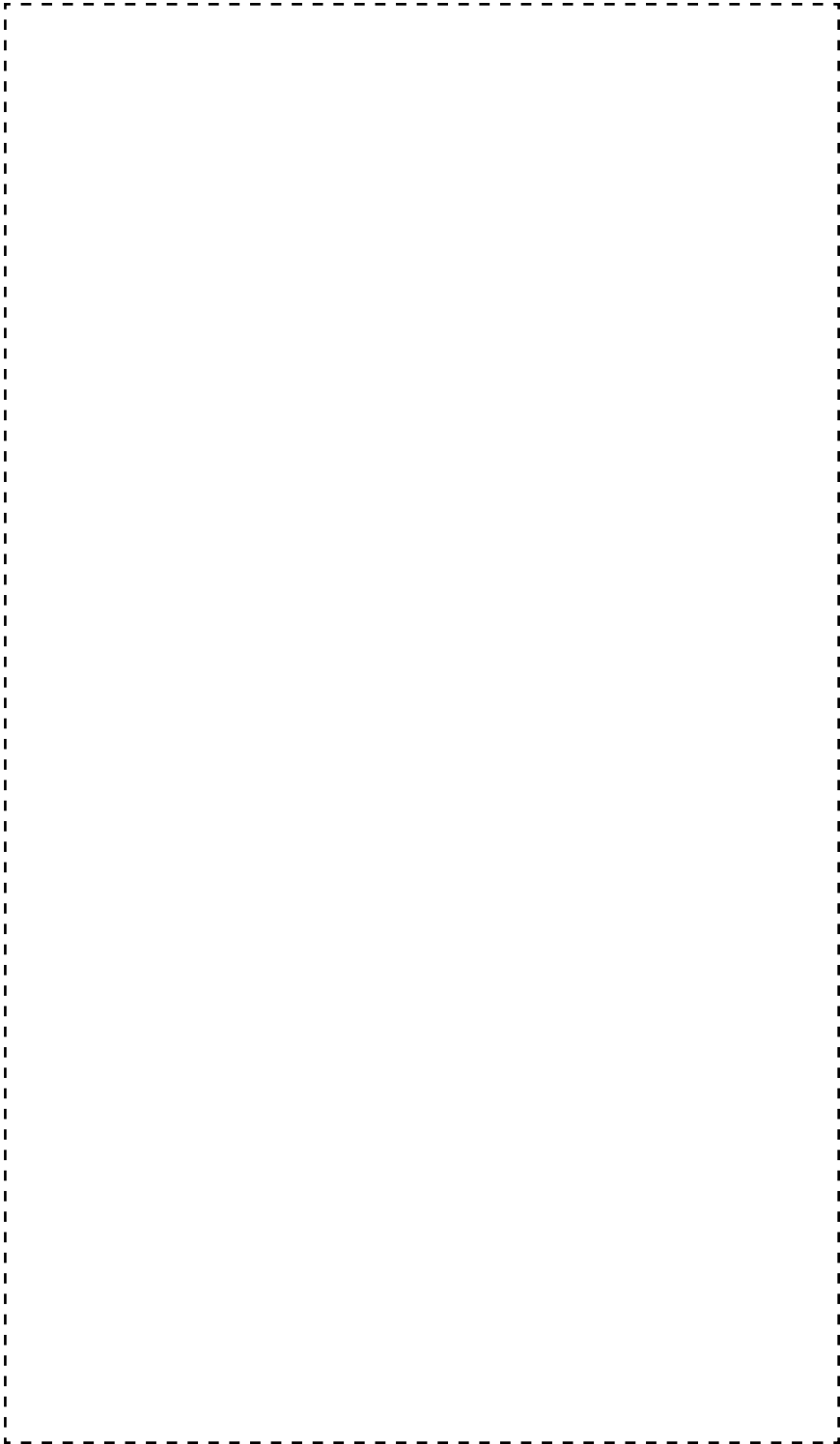
GLD Products

Tirade MMXI Soccer Table

Item 64-0908

Staple your receipt here.

Important: A copy of your receipt will be needed to activate your warranty (see page 15).





Congratulations and THANK YOU for purchasing the Tirade MMXI Soccer Table. You have chosen a product that should provide years of entertainment. To assist you with customer service and warranty claims, staple your receipt to the inside cover, then keep this manual in a safe place for future reference.

GLD Products

S84 W19093 Enterprise Drive
Muskego, WI 53150 USA
1-800-225-7593
Fax: 1-800-841-6944
Email: gld@gldmfg.com
Web: www.gldproducts.com

This manual may have been updated. For the latest manual visit the GLD products website.

	<p>Place your package near the location where it will be used. Carefully unpack all components and verify you have all the correct pieces.</p> <p>If you notice missing or defective parts, please call us at: 1-800-225-7593</p>
---	--

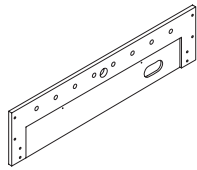
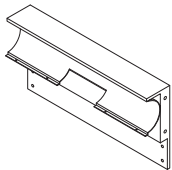
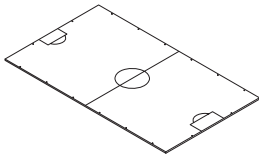


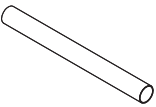
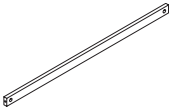

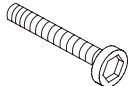
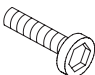


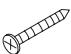
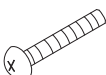


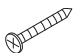

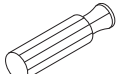


	<p>Please read and understand all instructions before beginning assembly.</p> <p>This assembly will require 2 adults.</p> <p>This product is not for use by children without adult supervision.</p>
---	--



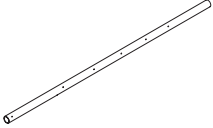
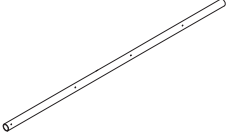
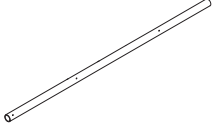

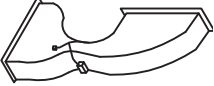



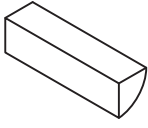



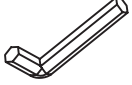
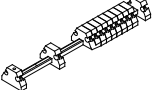
GLD Products

Tirade MMXI Soccer Table

Parts Identifier

Item 64-0908

Part No./ Qty	Illustration/Order Number	Part No./ Qty	Illustration/Order Number	Part No./ Qty	Illustration/Order Number
1 Qty. 2	 Side Panel Order No. 3-164	2 Qty. 2	 End Panel Order No. 3-165	3 Qty. 1	 Playing Field Order No. 3-166
4 Qty. 2	 Left Leg Order No. 3-202	5 Qty. 2	 Right Leg Order No. 3-201	6 Qty. 2	 Leg Bar Order No. 3-191
7 Qty. 2	 Playfield Support Brace Order No. 3-194	8 Qty. 16	 5/16" Flat Washer Order No. 3-299	9 Qty. 16	 5/16" x 40 mm Bolt Order No. 3-316
10 Qty. 8	 1/4" x 40 mm Bolt Order No. 3-301	11 Qty. 8	 1/4" Flat Washer Order No. 3-302	12 Qty. 4	 4 x 10 mm Round Head Screw Order No. 3-303
13 Qty. 12	 4 x 25 mm Flat Head Screw Order No. 3-304	14 Qty. 26	 1-1/8" Bolt Order No. 3-305	15 Qty. 26	 Locknut Order No. 3-306
16 Qty. 2	 4 x 12 mm Flat Head Screw Order No. 3-307	17 Qty. 2	 4 x 12 mm Round Head Screw Order No. 7-22	18 Qty. 4	 4 x 45 mm Round Head Screw Order No. 3-309
19 Qty. 8	 Rod Handle Order No. 3-172	20 Qty. 16	 Rod Washer Order No. 3-310	21 Qty. 16	 Rod Bumper Order No. 3-186

Part No./ Qty	Illustration/Order Number	Part No./ Qty	Illustration/Order Number	Part No./ Qty	Illustration/Order Number
22 Qty. 13	 Visit Player Order No. 3-180	23 Qty. 13	 Home Player Order No. 3-179	24 Qty. 2	 5 Player Rod Order No. 3-178
25 Qty. 4	 3 Player Rod Order No. 3-177	26 Qty. 2	 2 Player Rod Order No. 3-176	27 Qty. 2	 Ball Entry Cap Order No. 3-185
28 Qty. 2	 Ball Return Order No. 3-169	29 Qty. 2	 3.5 x 10.5 mm Washer Head Screw Order No. 3-183	30 Qty. 4	 4 x 30 mm Flat Head Screw Order No. 3-315
31 Qty. 8	 Rod End Cap Order No. 3-182	32 Qty. 4	 Enterprising Board Order No. 3-198	33 Qty. 2	 Soccer Goal Order No. 3-170
34 Qty. 4	 Leg Leveler Order No. 3-173	35 Qty. 2	 Soccer Ball Order No. 3-188	36 Qty. 1	 Allen Key Order No. 3-190
37 Qty. 2	 Slide Scorer Order No. 3-314				

IF YOU HAVE A WARRANTY CLAIM, CALL US FIRST:

Please refer to page 15.

GLD Products

Available 8 am to 4:30 pm Central Standard Time

S84 W19093 Enterprise Drive

Muskego, WI 53150 USA

1-800-225-7593

Fax: 1-800-841-6944

Email: gld@gldmfg.com

Web: www.gldproducts.com

For all claims, please have your receipt and item number when you call. The product item number can be found on the front cover.

If you are instructed to return the product for service, you are responsible for shipping the unit at your expense.

PRODUCT REGISTRATION

Important: The product registration form on page 17 and a copy of your receipt must be completed and returned within 10 days of purchase to validate your warranty.

Online registration is also available. Go to www.gldproducts.com/index.php/registration or click on this link. Follow the online instructions.

Preparing for Assembly

- Be sure to unpack all of the parts included in this package. Check inside any tubes or sleeves. Save all packing material until the product is fully assembled and functional.
- Compare the parts in your package with the Parts Identifier description on page 4.
- After unpacking large products, some disassembly may be required prior to beginning the assembly.

Tools Required

- Allen Key (#36) (included with table)
- Phillips screwdriver (not included)
- Level (not included)



Parents - Please read instructions carefully. Not for use by children without adult supervision.

Assembly Tips

Make sure you understand the following before you begin to assemble your game table.

1. READ THIS MANUAL all the way through before beginning assembly.
2. When installing parts that have more than one bolt, start ALL bolts in that part by hand before tightening anything.
3. Some drawings or images in this manual may not look exactly like your product.
4. You may need a second adult to assist with this assembly.

Note: Save all packing materials until the parts have been inspected and the table is assembled.

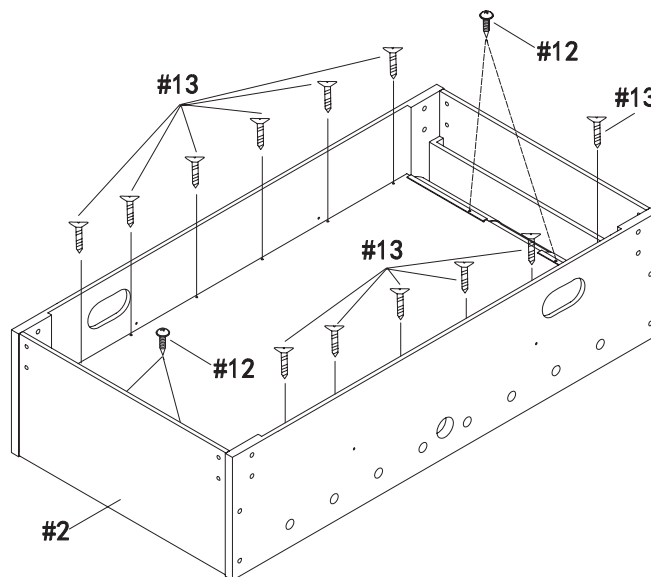
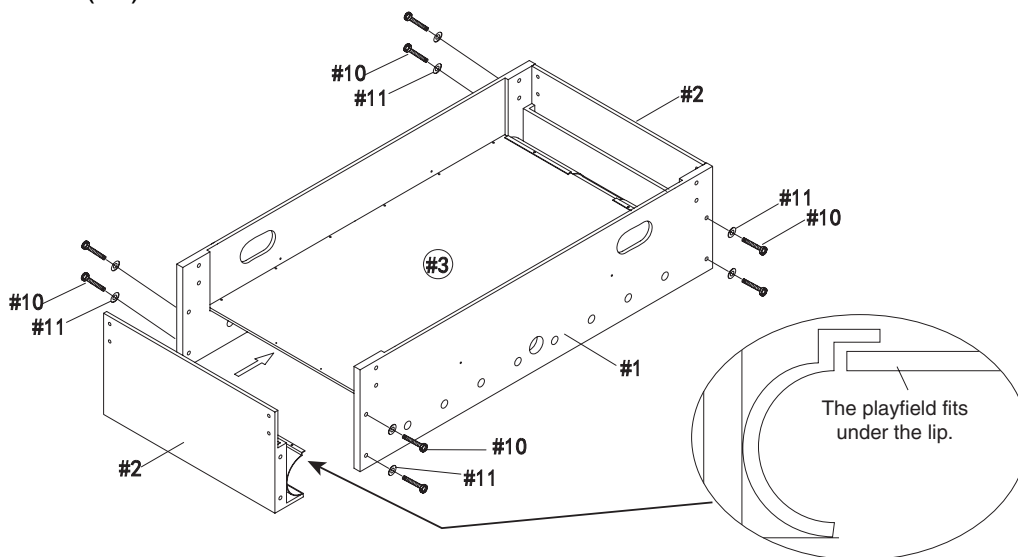
Unpack the Pieces

- Lay the box on a flat surface (floor). You may want this near your area of assembly.
- Unpack the boxes and part bags. Inspect and count the parts. The Parts Identifier page can be used to record your results.
- If any parts are damaged or missing, contact GLD Customer Service.
- Missing fasteners may be purchased at a hardware store using the descriptions on the Parts Identifier page.

STEP 1 - ASSEMBLE TABLE BASE

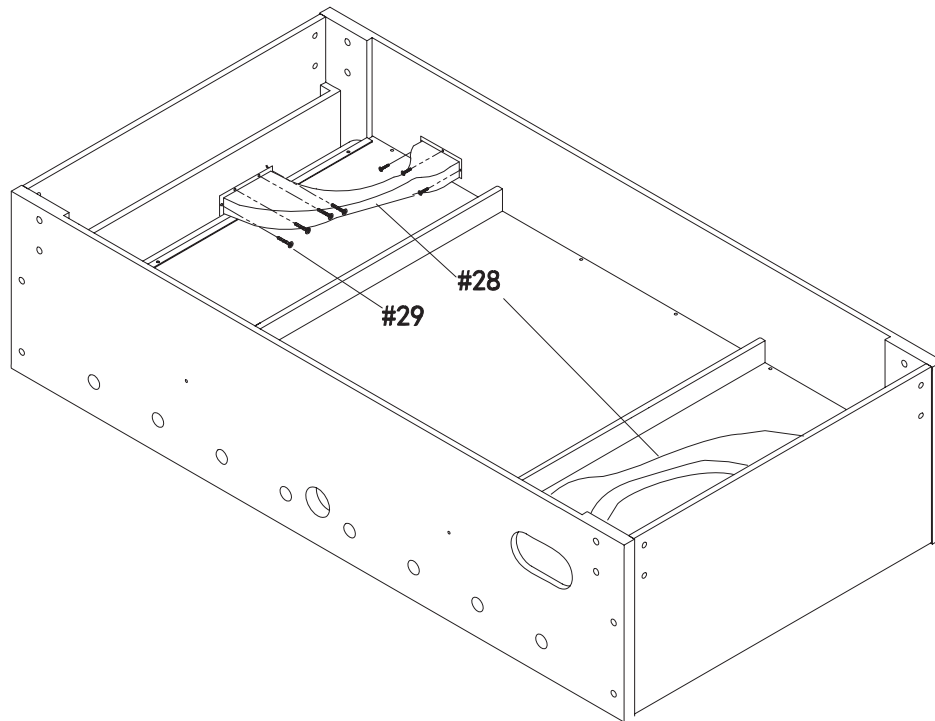
Note: The table base is assembled with the bottom side facing up.

1. Attach one end panel (#2) between the two side panels (#1). Use four bolts (#10) with washers (#11) to hold the pieces together.
2. Position the playing field (#3) between the two side panels (#1). The playing side must face down. Both side panels will have a ledge that the playing field will set on. The end panels (#2) have a lip that the playing field will fit under.
3. Attach the second end panel (#2) at the open end of the two side panels (#1). Use four bolts (#10) with washers (#11) to hold the end panel (#2) in place.
4. Secure the playing field (#3) on the long edges using six screws (#13) on each side. On each of the short ends use two round head screws (#12) to hold the playing field to the end panels (#2).



STEP 2 - ATTACH THE BALL RETURNS

1. Position the ball return (#28). Observe the number and location of the seven screw holes.
2. Insert a screw (#29) in each hole and tighten.
3. Repeat for the second ball return.
4. Turn the table over. Two adults should perform this action. The player rods will shift but will not fall out.

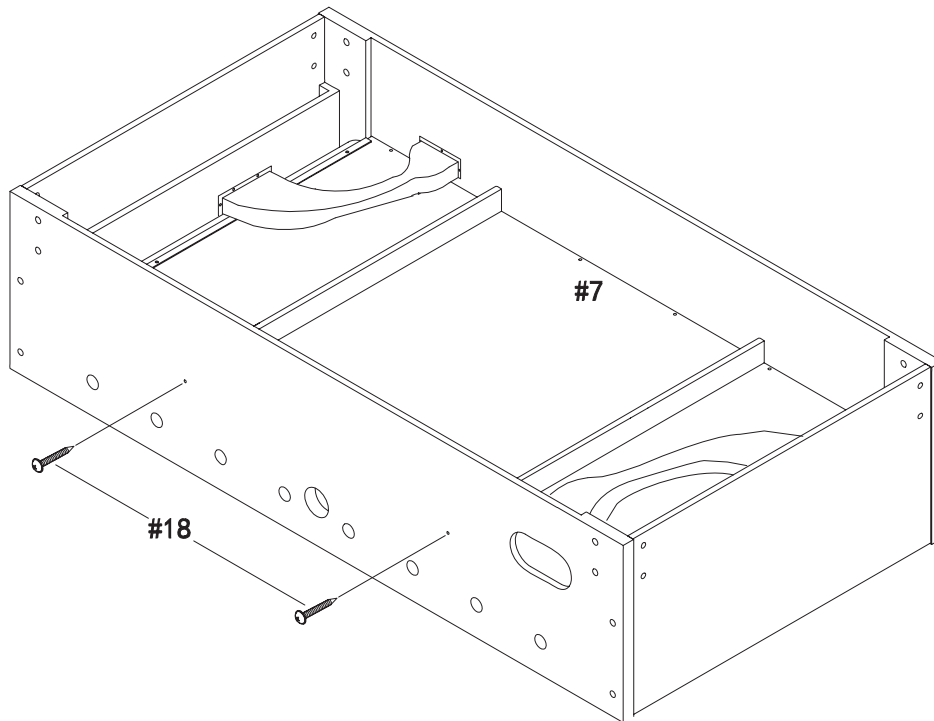


STEP 3 - ATTACH THE PLAYFIELD SUPPORT BRACES

1. Position the two playfield support braces (#7) inside the cabinet assembly.

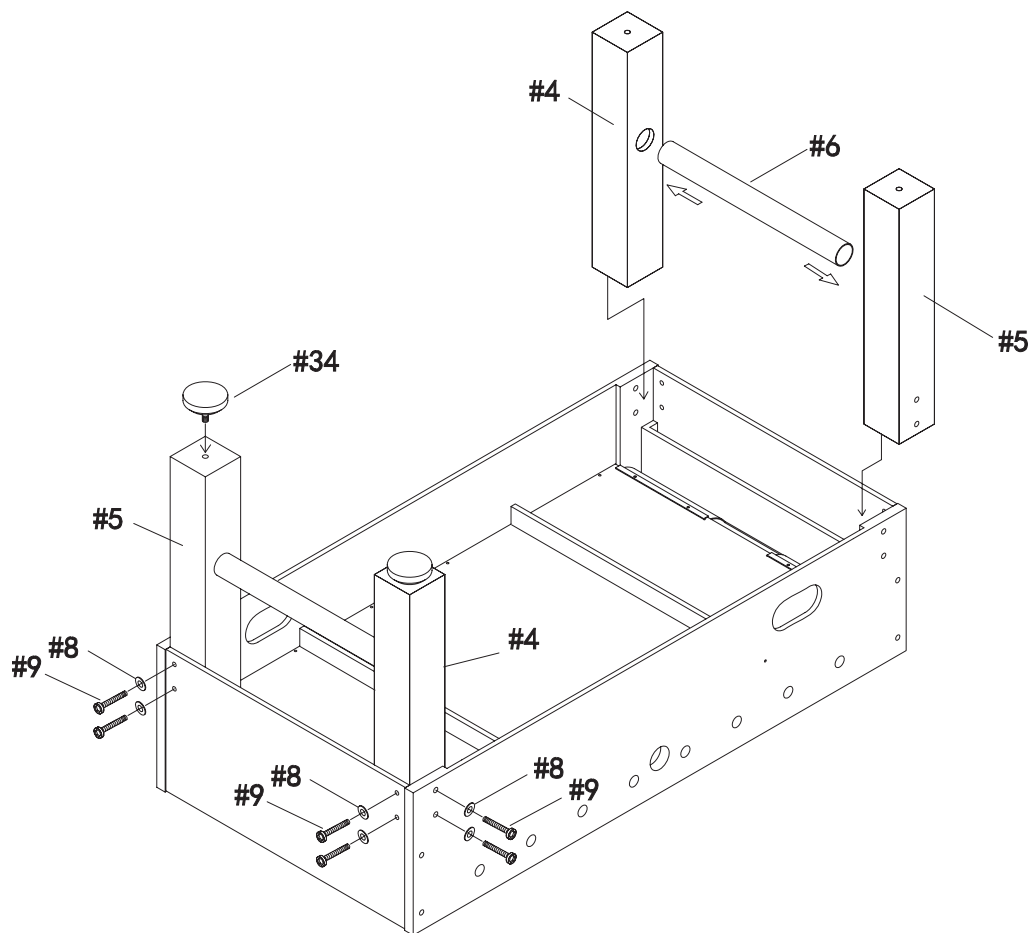
Note: To help position the braces you may "start" the four screws (#18) until they are visible on the inside surfaces of the side panels.

2. When the support brace is in position, tighten a round head screw (#18) through the side panel and into the end of the brace.
3. Repeat for the three other screw locations.



STEP 4 - ASSEMBLE LEGS

1. Position the first leg (#4 or #5) into the proper corner. The hole for the leg bar (#6) faces toward the other leg at the same end and the four screw holes align with the screw holes in the panel sides.
2. Insert four leg bolts (#9) with washers (#8) into the panel holes and finger start into the leg (#4 or #5).
3. Tighten the leg bolts (#9).
4. Position the second leg (#4 or #5) at the same end.
5. Place the leg bar (#6) inside the holes of the two legs.
6. Insert four leg bolts (#9) with washers (#8) into the panel holes and finger start into the leg (#4 or #5).
7. Tighten the leg bolts (#9).
8. Repeat for the other two legs.
9. Screw a leg leveler (#34) halfway into the bottom of each leg.



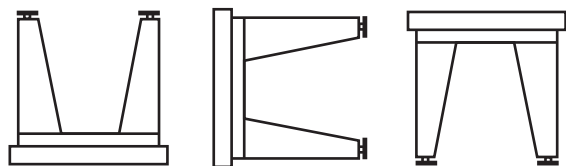
STEP 5 - TURN THE TABLE OVER

The table is ready to be turned over.

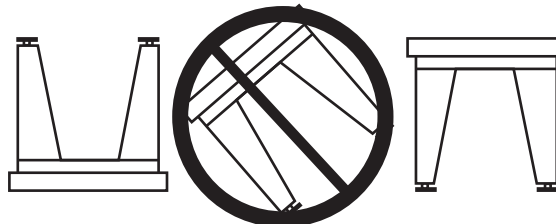
LIFT THE TABLE ASSEMBLY AND TURN IT OVER TO REST ON THE LEGS.

DO NOT ROLL THE TABLE OVER. This will place a sideways force on the legs. The legs should be off the floor until the table assembly is rotated completely. Set the table down.

DO THIS

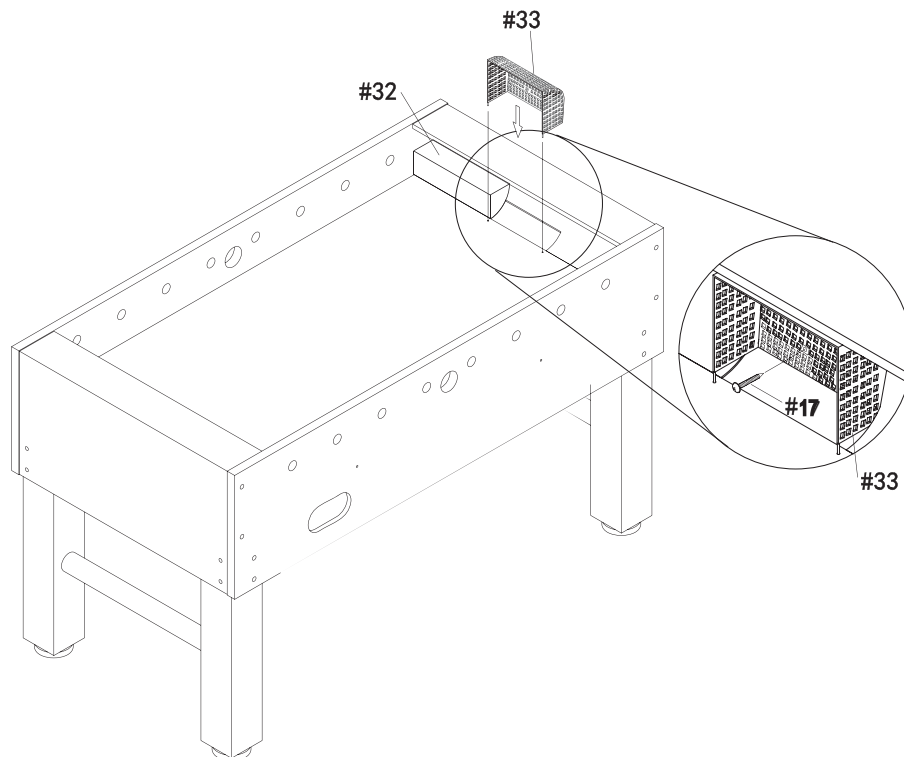


NOT THIS



STEP 6 - INSTALL GOALS AND SIDE BOARDS

1. Position one of the goals (#33) at the end of the playing field. It will fit into the curve of the end panel (#2). The posts will push into two holes in the playing field that will hold the goal in position.
2. Use a round head screw (#17) and screw it into the back of the goal (#33).
3. Locate the four enterprising boards (#32). Position one on each side of the goal. They will fit into the curve of the end panel (#2).



STEP 7 - ASSEMBLE PLAYER RODS

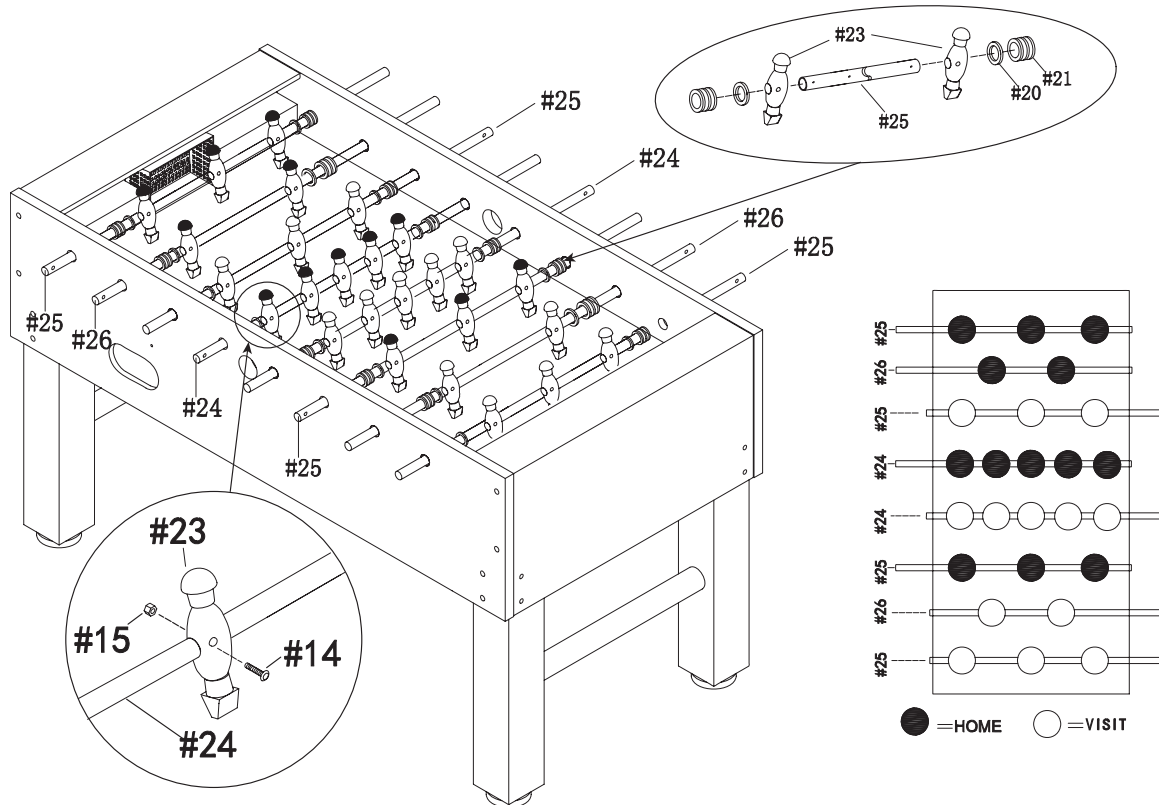
1. Identify the position of the player rods by the number of holes in the rod. The top view below will help to locate correct positions.
2. Assemble the handles (#19) to the player rods. Find the end of the player rod that has a hole near the end. Stand the rod with that end up and place the handle (#19) over the end. Use a mallet to push the handle onto the rod.
3. Insert the end of the player rod (#24, #25 or #26) into the correct bushing on the side of the table.

Note: The handles for each color team will be on the same side.

4. Slide a bumper (#21) followed by a washer (#20) onto the rod.
5. Select the players (#22 or #23) and slide them onto the rod. The "feet" may not have the same shape on both sides. All players should face the opponents goal.
6. After the last player is on the rod, place a plastic washer (#20) then a bumper (#21) onto the rod. Push the end of the rod into the second bushing.

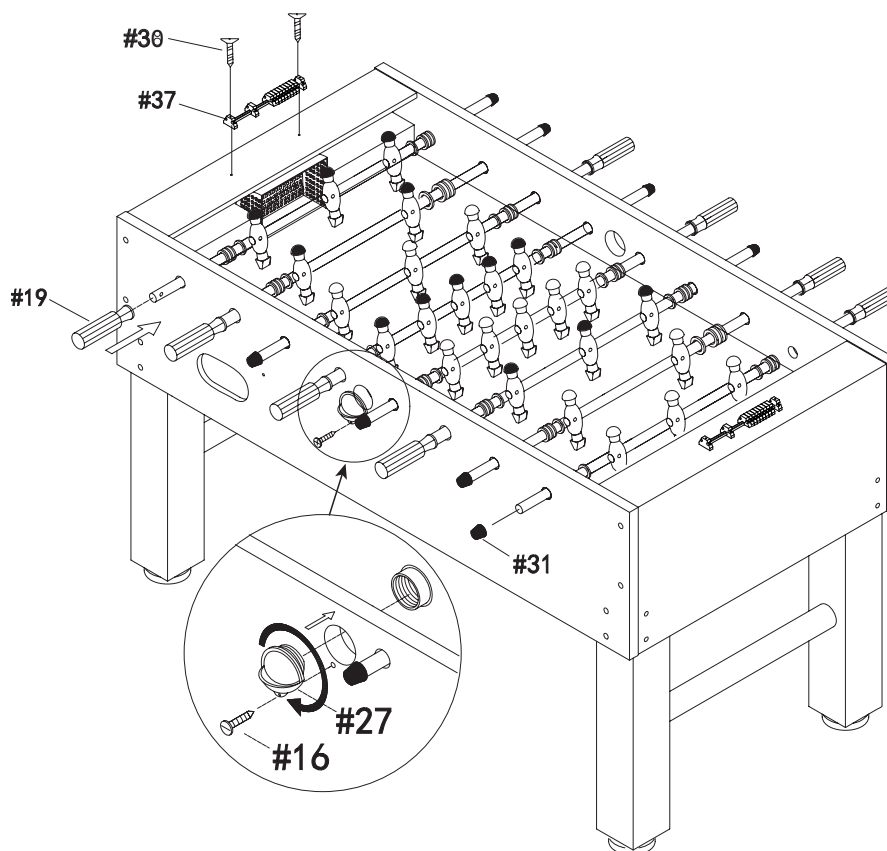
Note: The player rod should spin freely even though the players are not secured in place.

7. Secure the players (#22 or #23) to the player rod using a bolt (#14) and a lock nut (#15). Tighten to keep the players from moving.
8. Repeat for the remaining player rods. Pay attention to team colors and foot direction.



STEP 8 - FINISHING TOUCHES

1. Place an end cap (#31) on the ends of the player rods opposite the handles and press in place.
2. Install the two ball entry cups (#27) one on each side.
3. The cup is on the outside of the table and the opening faces up. Screw the two pieces together. Use a screw (#16) to secure the cup in place.
4. Position the two slide scorers (#37) above the goals. Use two screws (#30) in each one to secure it to the table.
5. Position the table in the room and level. To level the table place a carpenters level on the top edges and turn the leg levelers (#34) in or out as needed.

**Care and Use of your Table**

- This product is intended for INDOOR use only.
- DO NOT sit, climb, or lean on the table.
- DO NOT drag the table when moving it. This will damage the legs.
- Keep your table covered.
- To clean the hard surfaces spray a cloth with a mild cleaner and wipe.

90-DAY LIMITED WARRANTY

The Manufacturer warrants to the original retail purchaser that this product is free from defects in material and workmanship under normal use and conditions for a period of ninety (90) days from the date of original purchase. The Manufacturer's liability is limited to the repair or replacement, at its option, of any defective product and shall not include any liability for indirect, incidental or consequential damages of any kind.

Should this product become defective due to material or workmanship within the warranty period, contact our Customer Service Department. This warranty is not transferable and does not cover normal wear and tear or damage caused by improper usage, negligence, misuse, abuse, transportation damage, acts of nature, or accident (including failure to follow the instructions in this manual). It does not cover expendable items such as batteries, light bulbs, fuses, accessories, cosmetic parts and other items that wear out due to normal usage, including felt covered areas of the playing surface. This warranty is also void if the product is disassembled and reassembled, damaged, modified from its original state, or used for other than indoor personal residential use (no commercial or rental applications). This warranty gives you specific legal rights, and you may have other rights which vary from state to state.

IF YOU HAVE A WARRANTY CLAIM, CALL US FIRST (8 - 4:30 CST):

Please have your receipt and item number (found on the front cover) when you call.

GLD Products

S84 W19093 Enterprise Drive

Muskego, WI 53150 USA

1-800-225-7593

Fax: 1-800-841-6944

Email: gld@gldmfg.com

Web: www.gldproducts.com

If you are instructed to return the product for service, you are responsible for shipping the unit at your expense to the above address in packaging that will protect against further damage. All warranty or repair requests require a Return Authorization Number prior to returning the item.

PRODUCT REGISTRATION

Important: The product registration form on page 17 must be completed and returned along with a copy of your receipt within 10 days of purchase to validate your warranty.

On-line registration is also available.

Go to <http://www.gldproducts.com/index.php/registration> or click on this link. Follow the on-line instructions.

This page left intentionally blank.

REGISTER YOUR PRODUCT

Place postage here

Complete this form, include a copy of your receipt, fold, tape (do not staple) and return within 10 days of purchase. This protects your warranty and will help us develop new products!

Cut here.

GLD Products
Warranty Department
S84 W19093 Enterprise Drive
Muskego, WI 53150 USA

This page left intentionally blank.

Fold here second.



www.gldproducts.com

- GAME TABLES
- GAMES AND ACCESSORIES
- BILLIARD ACCESSORIES
- SOFT-TIP DARTS
- FLIGHTS AND SHAFTS
- HOME CASINO
- BILLIARD CUES
- DARTBOARDS
- STEEL-TIP DARTS
- DART CASES AND ACCESSORIES

Fold here first.

Name	Date of Purchase
Address	Phone-Day
City	Phone-Evening
State Zip	Email
Purchase Price:	Item: 64-0908 Tirade MMXI Soccer Table
Store Name:	

Remember to attach a copy of your receipt.

This page left intentionally blank.

Mail To: GLD Products
 S84 W19093 Enterprise Drive
 Muskego, WI 53150 USA
 1-800-225-7593 • FAX 800-841-6944
 Email: gld@gldmfg.com
 Web Site: www.gldproducts.com

Tirade MMXI Soccer Table

Item 64-0908

Parts Re-Order Form

Name		Date
Address		Phone-Day
City		Phone-Evening
State	Zip	Email

Order No.	Description	Unit Price	Qty.	Total Amount
3-164	Side Panel	50.00		
3-165	End panel	40.00		
3-166	Playing Field	30.00		
3-202	Left Leg	20.00		
3-201	Right Leg	20.00		
3-191	Leg Bar	15.00		
3-194	Playfield Support Brace	6.00		
3-299	5/16" Flat Washer	0.50		
3-316	5/16" x 40 mm Bolt	0.50		
3-301	1/4" x 40 mm Bolt	0.50		
3-302	1/4" Flat Washer	0.50		
3-303	4 x 10 mm Round Head Screw	0.25		
3-304	4 x 25 mm Flat Head Screw	0.25		
3-305	1-1/8" Bolt	0.50		
3-306	Locknut	0.50		
3-307	4 x 12 mm Flat Head Screw	0.25		
7-22	4 x 12 mm Round Head Screw	0.25		
3-309	4 x 45 mm Round Head Screw	0.25		
3-172	Rod Handle	10.00		
3-310	Rod Washer	0.50		
3-186	Rod Bumper	7.50		
3-180	Visit Player	5.00		
3-179	Home Player	5.00		
3-178	5 Player Rod	16.00		
3-177	3 Player Rod	16.00		
3-176	2 Player Rod	16.00		
3-185	Ball Entry Cup	7.50		
3-183	3.5 x 10.5 mm Washer Head Screw	0.25		
3-169	Ball Return	10.00		

3-182	Rod End Cap	1.00		
3-198	Enterprising Board	10.00		
3-170	Soccer Goal	15.00		
3-173	Leg Leveler	10.00		
3-188	Soccer Ball	5.00		
3-190	Allen Key	1.00		
3-314	Slide Scorer	10.00		
3-315	4 x 30 mm Flat Head Screw	0.25		
		Subtotal		
Shipping will be added. If paid by Check or Money Order, call for quote.		S/H		
5.1% Waukesha Wisconsin tax will apply (subject to change).		Tax		
		Total		

Method of Payment

Check or Money Order
 Credit Card
 Visa MasterCard Discover American Express
 Card # _____
 Security Code # _____ Billing Address Zip code _____
 Signature _____ Exp. Date _____

Shipping Address

Name _____
 Address _____ Phone _____
 City _____ State _____ Zip _____



www.gldproducts.com

GAME TABLES

HOME CASINO

GAMES AND ACCESSORIES

BILLIARD CUES

BILLIARD ACCESSORIES

DARTBOARDS

SOFT-TIP DARTS

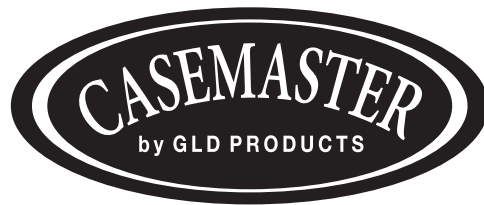
STEEL-TIP DARTS

FLIGHTS AND SHAFTS

DART CASES AND ACCESSORIES



PROUD MANUFACTURER OF



Yesterday's games for today's families!
by GLD Products

S84 W19093 Enterprise Drive • Muskego, WI 53150 USA
262.679.8730 or 1.800.225.7593 tele
262.679.8738 or 1.800.841.6944 fax
Email: gld@gldmfg.com
www.gldproducts.com