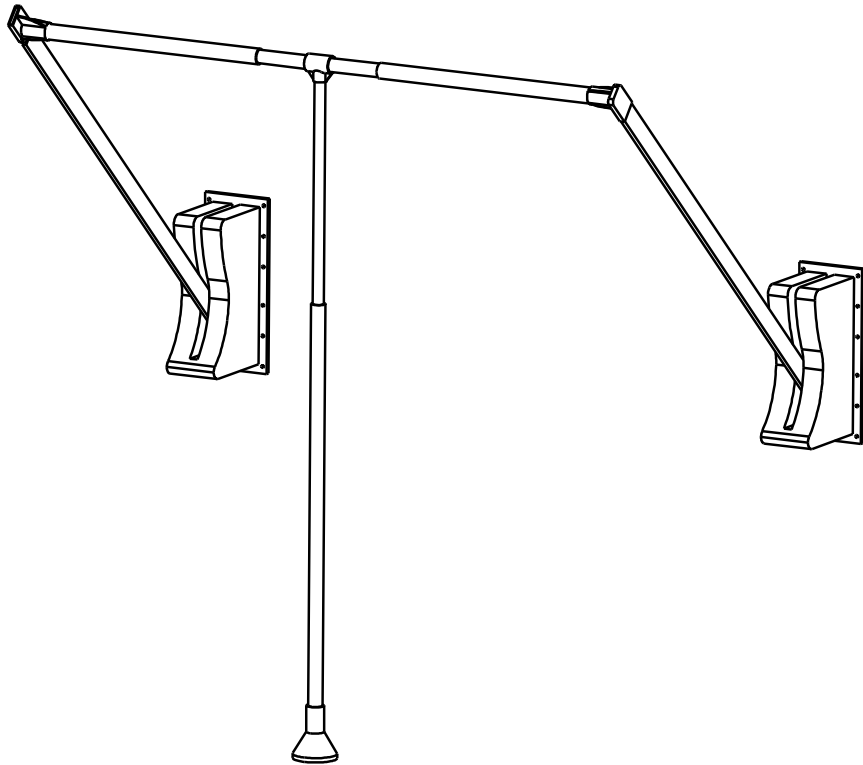


CUSTOMER DRAWING

This drawing is the property of Rev-A-Shelf (RAS) and is disclosed in confidence to the extent its subject matter is original to RAS. Any vendor receiving this drawing from RAS shall hold and use this drawing for the sole benefit of RAS and shall not disclose it to, or use or reproduce it for any third party, or perform any act adverse to the interest of RAS with respect to this drawing without the express written permission of RAS. Vendors shall not revise any physical, dimensional or performance characteristic unless authorized by Rev-A-Shelf Engineering.

REV.	DATE	BY	DESCRIPTION OF CHANGE

INCH [MM]	AMERICAN PROJECTION	BY SLW	DATE 3/9/07	REV-A-SHELF, INC.	
				SIZE B	PULL DOWN CLOSET ROD
TOLERANCES		MATERIAL		DRAWING NO.	SCALE 0.100
DECIMALS .XX ±.02 [.5mm]		SEE NOTES		PART NO. CPDR-3548	SHEET 1 OF 2
ANGLES ±1/2°		FINISH			
FRACTIONS ±1/32 [.8mm]		SEE NOTES			



PART DIMENSIONS		
	MIN	MAX
WIDTH	35.00	45.00
DEPTH		
HEIGHT	34.00	50.00
WEIGHT		
DIAMETER		
RADIUS		
CONTAINER CAPACITY		
CONTAINER UOM		

MIN CABINET OPENING	
WIDTH	35" - 45"
DEPTH	
HEIGHT	34" - 50"

PRODUCT MAX WEIGHT RATING

SLIDE SPECIFICATIONS			
SLIDE TYPE		SLIDE EXTENSION	
SLIDE CLOSING		SLIDE LENGTH	
SLIDE MOUNTING		SLIDE FINISH	
			MAX WEIGHT RATING

CUSTOMER DRAWING

This drawing is the property of Rev-A-Shelf (RAS) and is disclosed in confidence to the extent its subject matter is original to RAS. Any vendor receiving this drawing from RAS shall hold and use this drawing for the sole benefit of RAS and shall not disclose it to, or use or reproduce it for any third party, or perform any act adverse to the interest of RAS with respect to this drawing without the express written permission of RAS. Vendors shall not revise any physical, dimensional or performance characteristic unless authorized by Rev-A-Shelf Engineering.

REV.	DATE	BY	DESCRIPTION OF CHANGE

INCH [MM]	AMERICAN PROJECTION	BY	DATE	REV-A-SHELF, INC.
		DRAWN	SLW 3/8/07	
TOLERANCES				MATERIAL SEE NOTES
DECIMALS .XX ±.02 [.5mm]				
ANGLES ±1/2°				DRAWING NO. SCALE 0.150
FRACTIONS ±1/32 [.8 mm]				
FINISH SEE NOTES				PART NO. CPDR-3548
				SHEET OF 2 OF 2