

1603STSM – EVERYDAY SHOWERS

60 x 36 x 79 inches



FEATURES

- Shower stall
- Smooth wall finish
- Integral toiletry shelves
- Above floor rough
- Slip resistant, textured bottom
- Left or right single seat
- Center drain
- AcrylX™ applied acrylic surface
- Lifetime limited warranty

OPTIONS

- Grab bar reinforcement
- Factory installed assisted care grab bars
- Shower Door Series L0517

AQUATIC ADVANTAGE

- National distribution
- 7 manufacturing facilities
- Private fleet
- Centralized customer service
- Field support

COLOR OPTIONS

Stock	Upgraded	Premium
White	Almond Linen/Biscuit Bone	Black Mexican Sand Sand Bar Sterling Silver

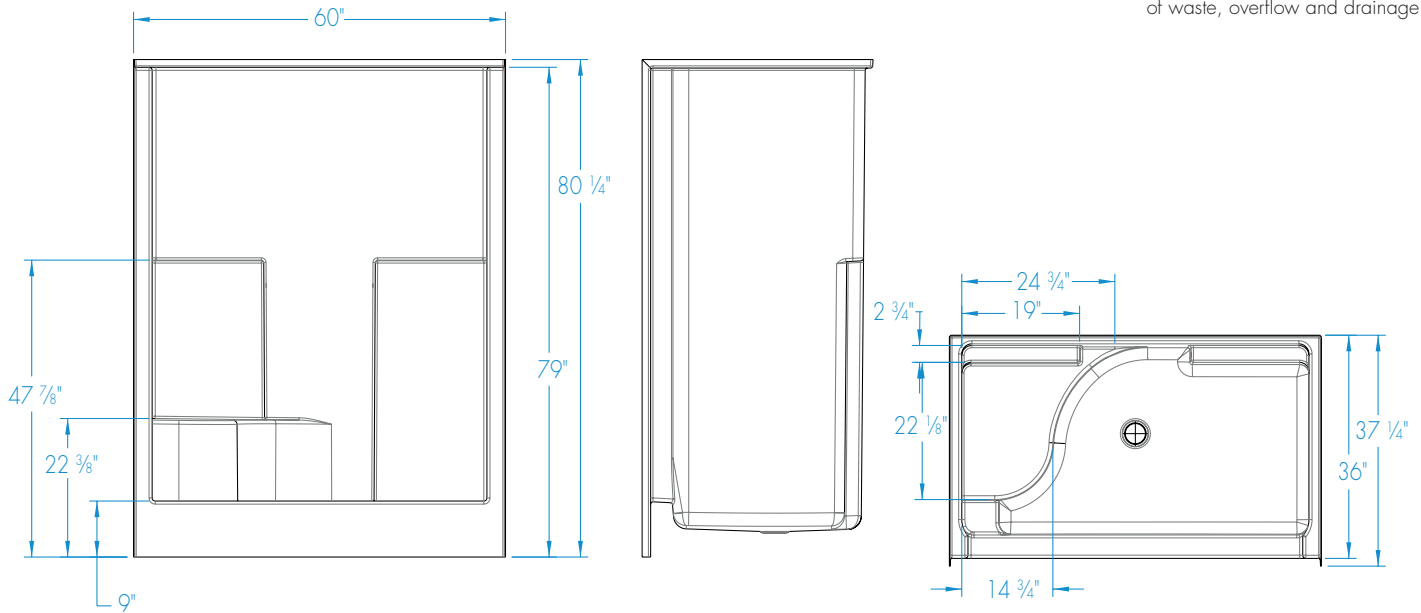


1603STSM

60 x 36 x 79 inches



AFR: Allows for above the floor installation of waste, overflow and drainage.



FEATURES Dimensional Tolerance $\pm \frac{3}{8}$ ". Dimensions needed for site preparation should be measured from the unit. Aquatic assumes no responsibility for preparatory work.

Model #	Material	Wall Finish	Pieces	Drain	Seat	Net Wt. lbs.	Pkg. Wt. lbs.
AFR Shower #1603STSM	AcrylX™	Smooth	1	Center	1 seat (LH or RH)	147	152

DIMENSIONS

Specifications	inches
Width: Overall / Net	60
Depth: Overall / Net	37 1/4 / 36
Height: Overall / Net	80 1/4 / 79
Enclosure Opening	54
Skirt Height	9
Drain Rough-In (from Back Wall)	15 3/4
Drain Rough-In (from Side Wall)	30
Drain: Diameter / Clearance	3 1/4 / 3 7/8

FRAMING DIMENSIONS inches

Type	D Depth	W Width	H Height	A	B	C
Alcove	37 1/4	60 1/8	-	Box Out	30	15 3/4

