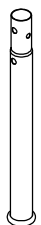

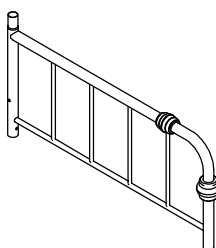
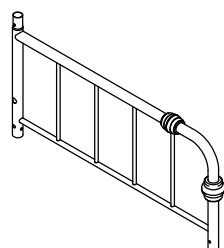
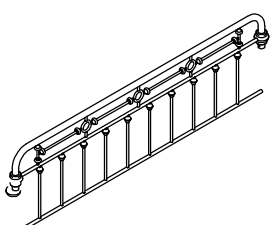
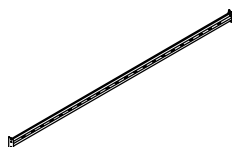
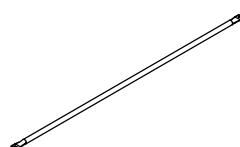





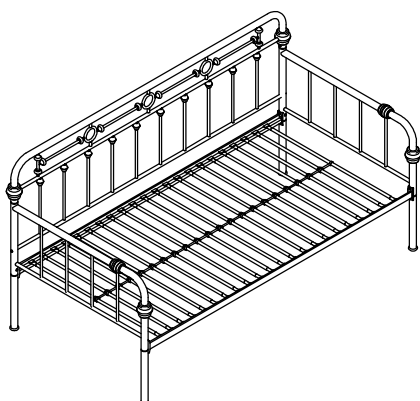


ASSEMBLY INSTRUCTION

METAL DAYBED

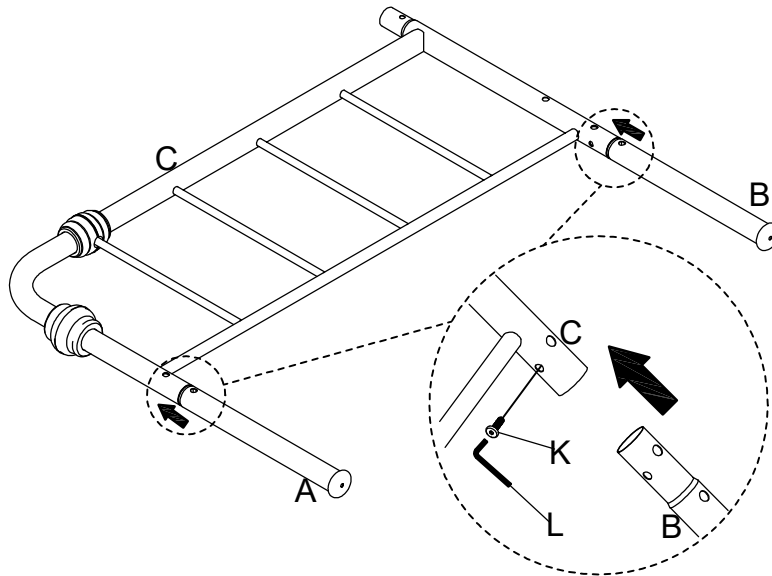
A Left Arm Post Leg 	B Right Arm Post Leg 	C Lsf Arm 	D Rsf Arm 
2PCS	2PCS	1PC	1PC
E Back Frame 	F Rail 	G Slat 	H Slat Connector 
1PC	2PCS	22PCS	44PCS
I Spacer 	J Bolt 1/4"*55mm 	K Bolt 1/4"*16mm 	L L-Allen Key 4mm 
21PCS	2PCS	14PCS	1PC



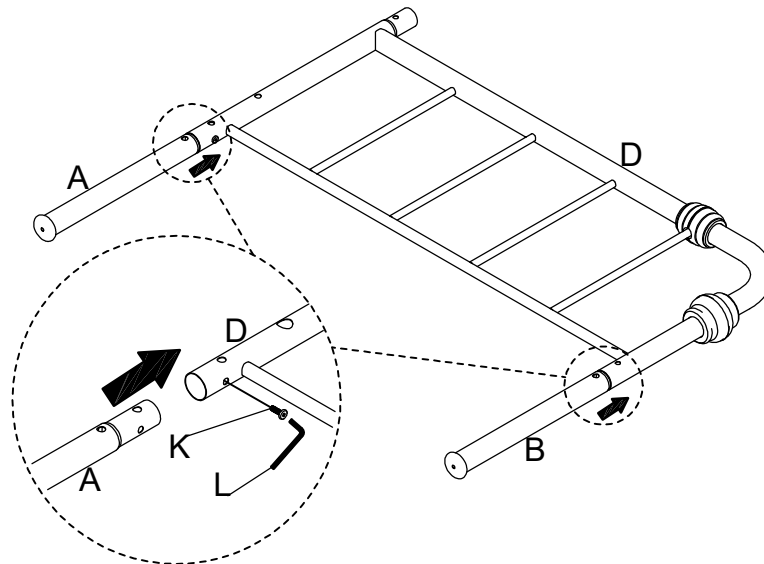
This page lists all the contents included in the box. Please take the time to identify the hardware as well as the individual components to this product. As you unpack and prepare for assembly, place the contents on a carpeted or padded area to protect them from damage.

1

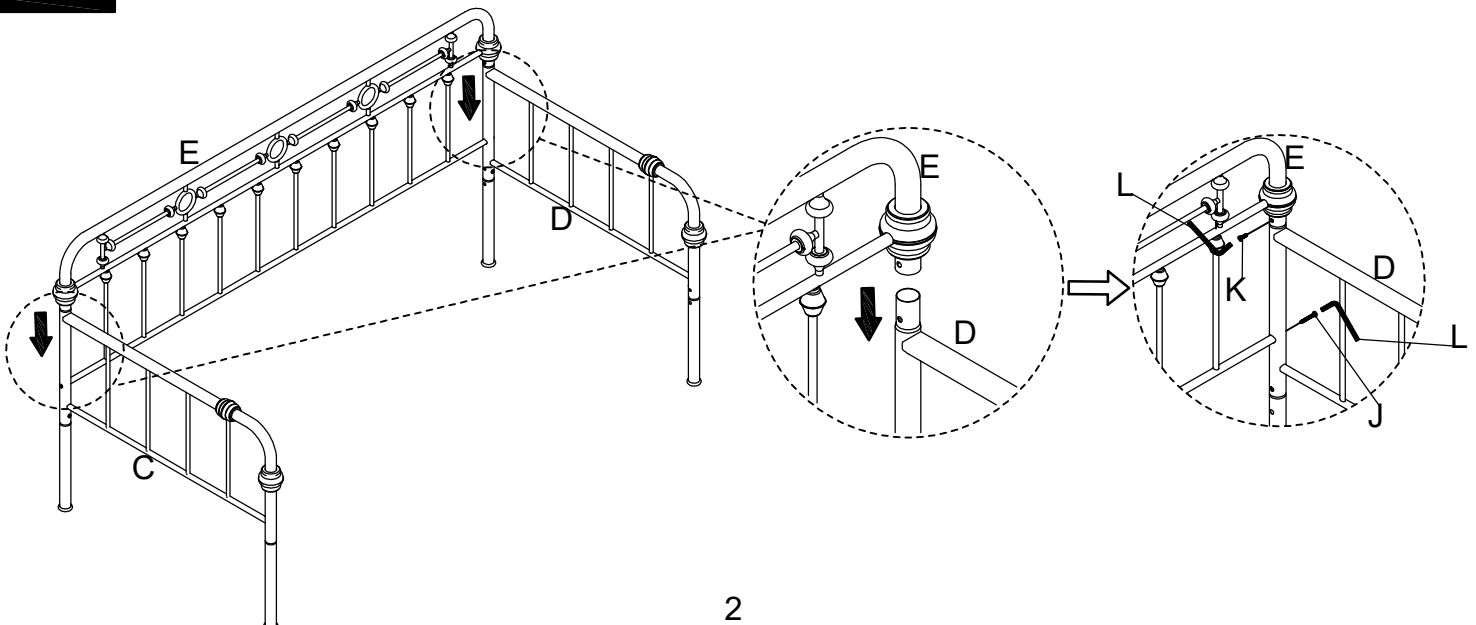
Attach Left Arm Post Leg (A) & Right Arm Post Leg (B) into the Lsf Arm (C), insert the Bolt (K), turn the L-Allen Key (L) to tighten them.

**2**

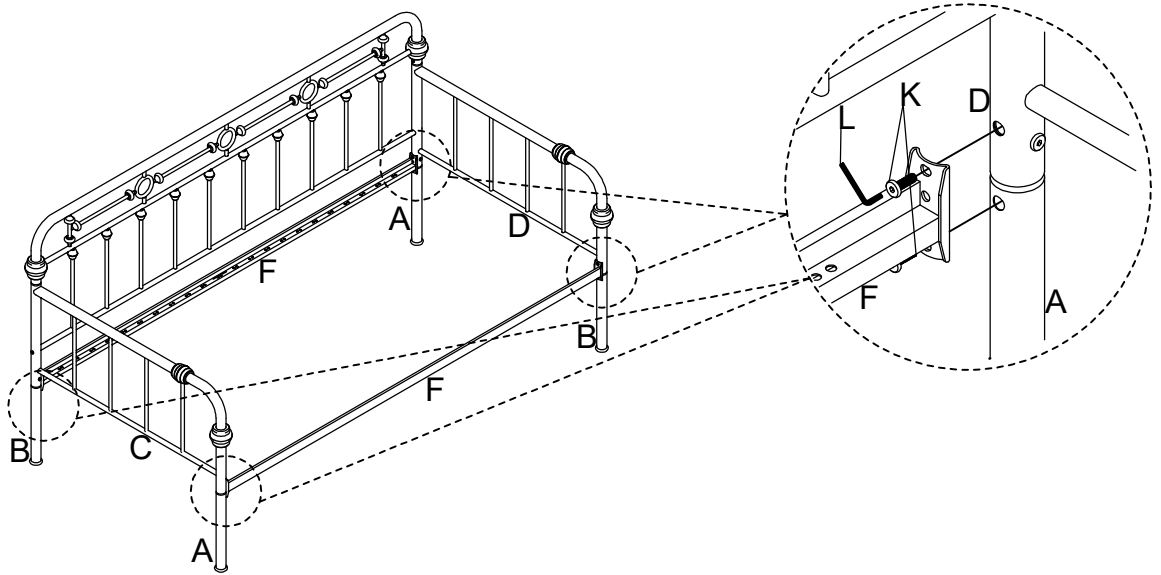
Attach Left Arm Post Leg (A) & Right Arm Post Leg (B) into the Rsf Arm (D), insert the Bolt (K), turn the L-Allen Key (L) to tighten them.

**3**

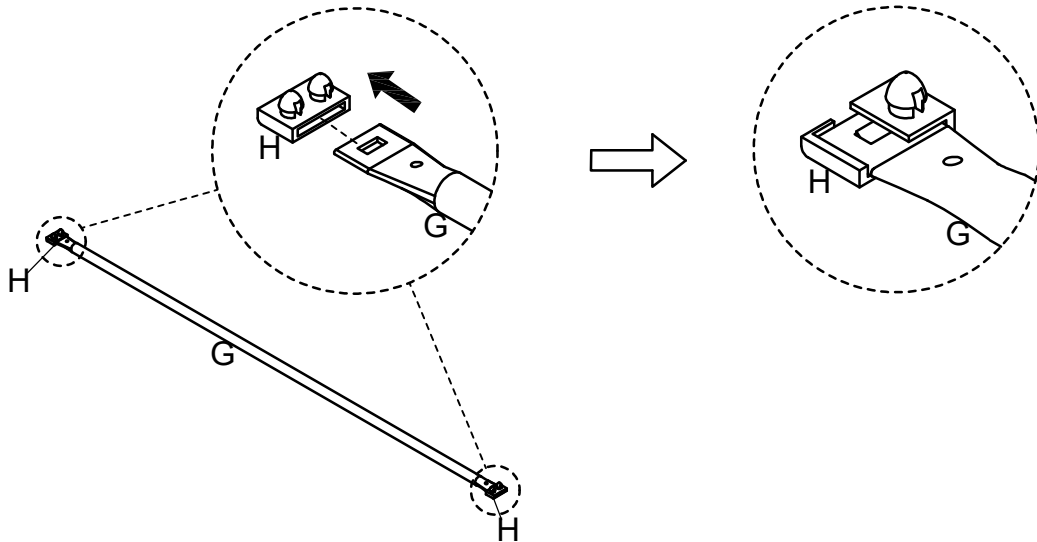
Attach the Back Frame (E) into the Lsf Arm (C) and Rsf Arm (D), insert the Bolt (K) and the Bolt (J), turn the L-Allen Key (L) to tighten them.



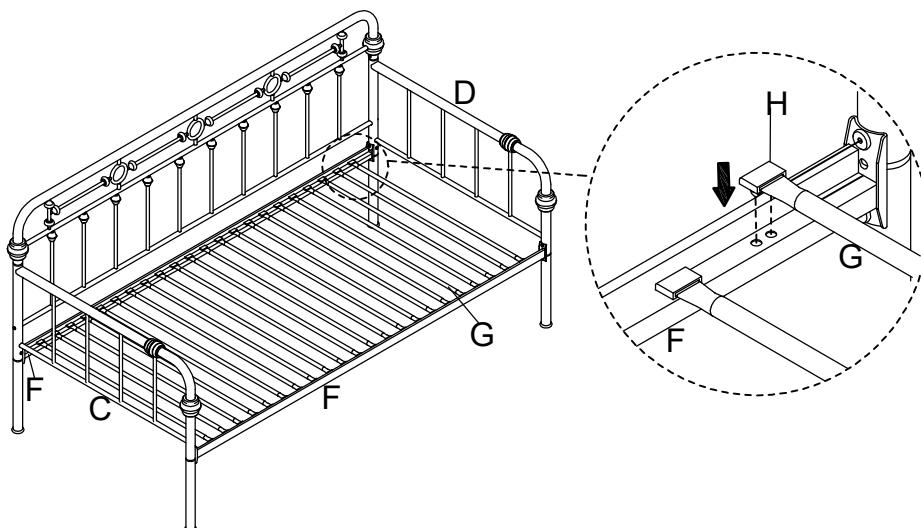
4 Attach Rail (F) to the Lsf Arm (C) and the Rsf Arm (D), Left Arm Post Leg (A) & Right Arm Post Leg (B), insert the Bolt (K), turn the L-Allen Key (L) to tighten them.

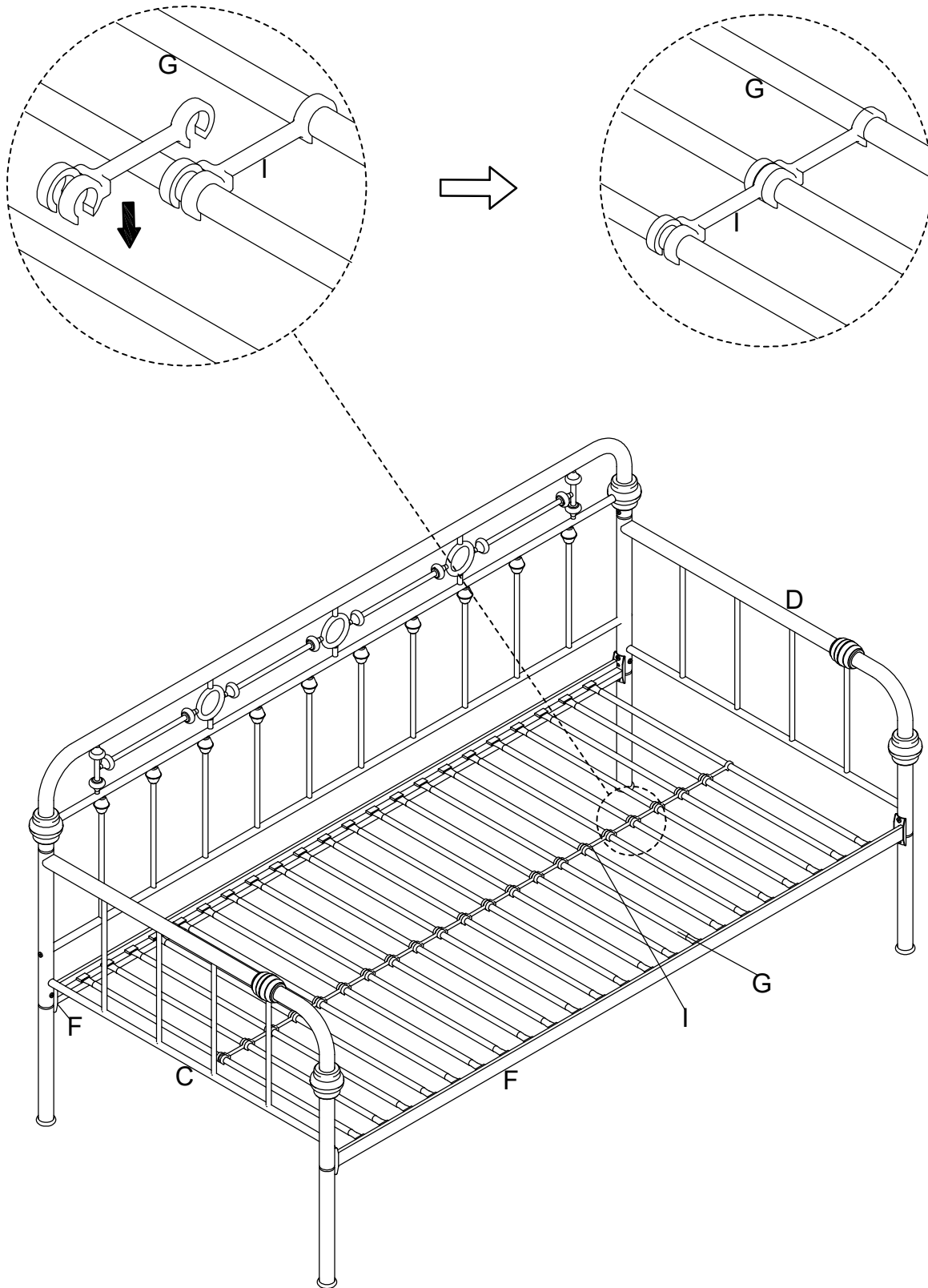


5 Insert the Slat Connector (H) to the both sides of Slat (G), press the Slat (G) into the correct place.



6 Attached the Slat (G) to rails, put the Slat Connectors (H) into the correct place and press them down.



7**Make the Spacer (I) to connect two slats as below instruction.**

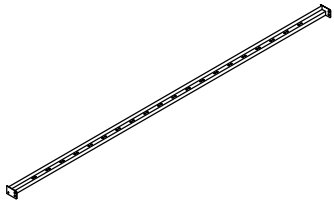
Cleaning & Care

Treat surface with care. Surface is resistant to scratches but is not scratch resistant. Clean surfaces with a dry or damp soft cloth. Do not use abrasive cleaners. Hardware may loosen over time. Periodically check that all connections are tight.

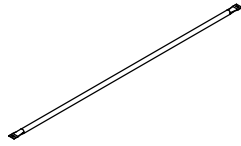
ASSEMBLY INSTRUCTION

TWIN/FULL DAYBED TRUNDLE

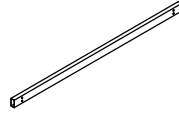
A Long Rail **B** Slat **C** Short Rail **D** Lock Wheel



2PCS



20PCS



2PCS



2PCS

E Wheel **F** Slat Connector **G** Bolt 1/4"*16mm **H** L-Allen Key 4mm



2PCS



40PCS

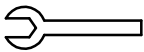


8PCS

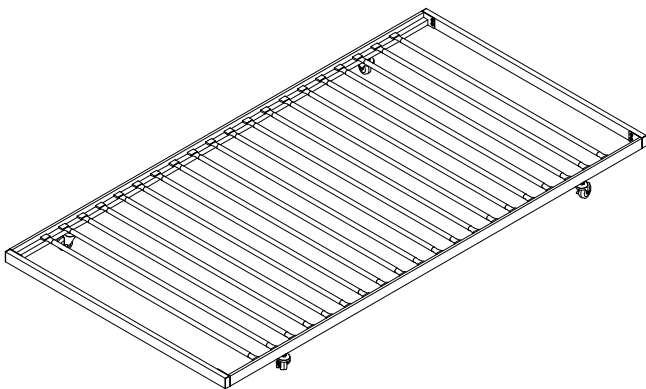


1PC

I Wrench 1/4"



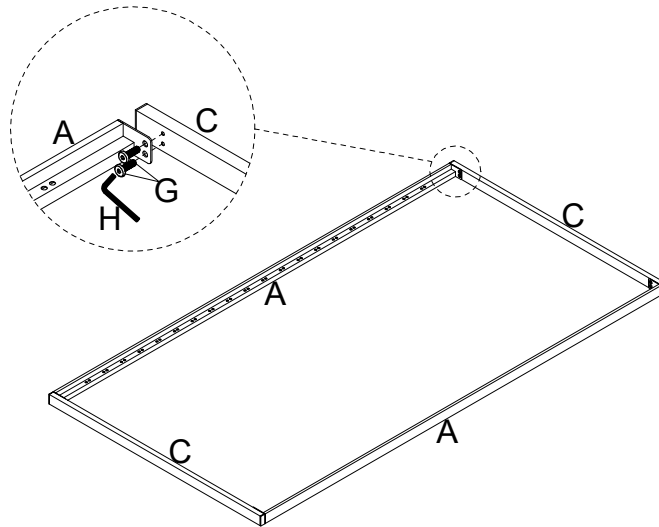
1PC



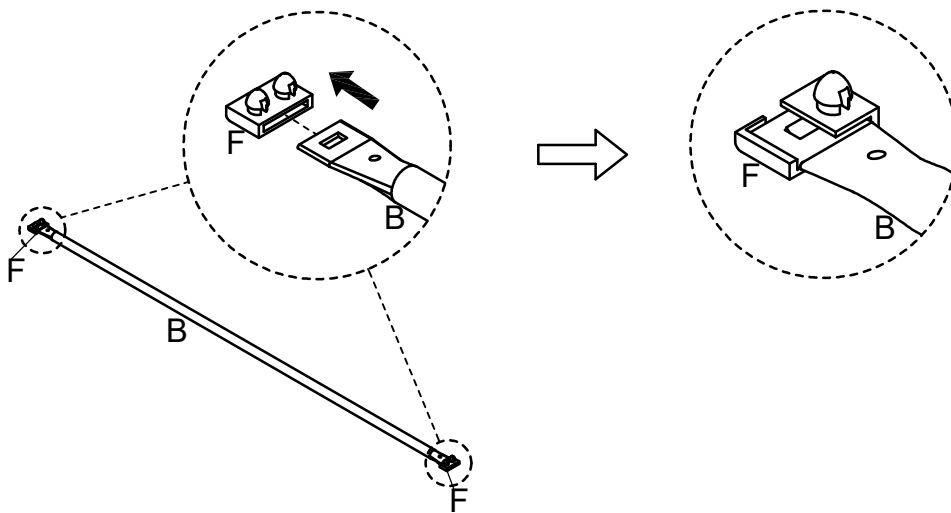
This page lists all the contents included in the box. Please take the time to identify the hardware as well as the individual components to this product. As you unpack and prepare for assembly, place the contents on a carpeted or padded area to protect them from damage.

1

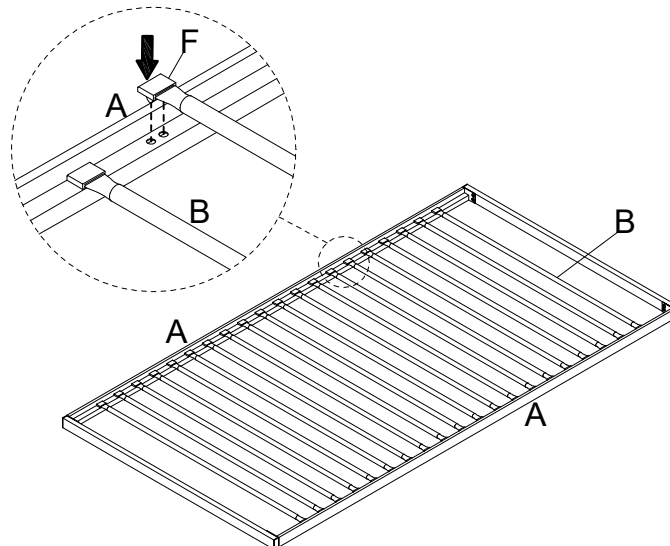
Attach the Long Rail (A) to the Short Rail (C), insert the Bolt (G), turn the L-Allen Key (H) to tighten them.

**2**

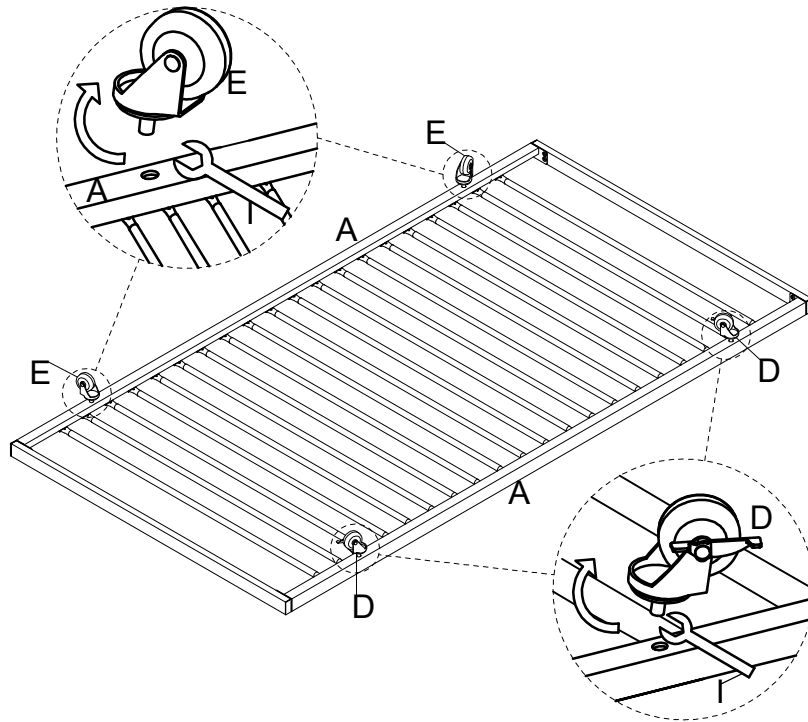
Insert the Slat Connector (F) to the both sides of Slat (B), press the Slat (B) into the correct place.

**3**

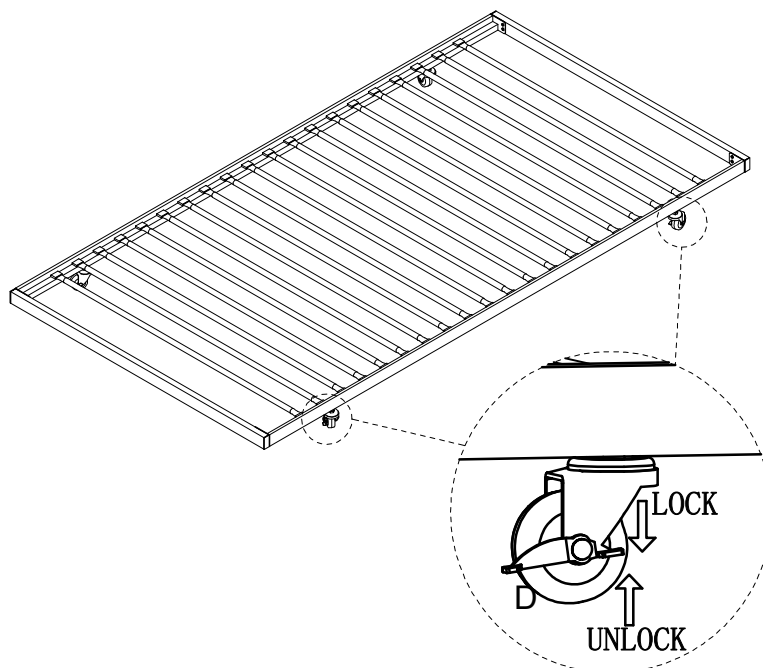
Attached the Slat (B) to the rails, put the Slat Connector (F) into the correct place and press them down.



- 4** Turn over the assembled trundle. Attach the Wheel (E) to one side of Long Rail (A), turn the Wrench (I) to tighten them. Attach the Lock Wheel (D) to another side of Long Rail (A), turn the Wrench (I) to tighten them.



- 5** Turn over the assembled trundle. Press the lock button of Lock Wheel (D), and the trundle will not move. Release the lock button, and the trundle will move.



Cleaning & Care

Treat surface with care. Surface is resistant to scratches but is not scratch resistant. Clean surfaces with a dry or damp soft cloth. Do not use abrasive cleaners. Hardware may loosen over time. Periodically check that all connections are tight.