

KALLISTA®

Script® by KALLISTA Freestanding Bath Faucet, Less Handshower P25088-00

Features

- High-quality solid-brass construction for durability and reliability
- Floor-mount, single hole installation
- Required mounting block sold separately (P20512-00-NA)
- Required handshower sold separately
- Spout reach is 9-1/2" (241 mm)
- Includes integral valve
- Includes hardware kit and escutcheon

Required Products/Accessories

P20512-00

or

P24761-00 Handshower with Hose

Recommended Products/Accessories

P50202-NA Freestanding Claw Foot Bathtub with Primed Exterior

P30801-00 4" cabinet pull

P25046-00 Hook

P25007-LV Sink Faucet, Arch Spout, Lever Handles



Codes/Standards

ASME A112.18.1/CSA B125.1



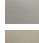


ASSE 1014

KALLISTA® Five-Year Limited Warranty

See website for detailed warranty information.

Available Colors/Finishes

Color tiles intended for reference only.

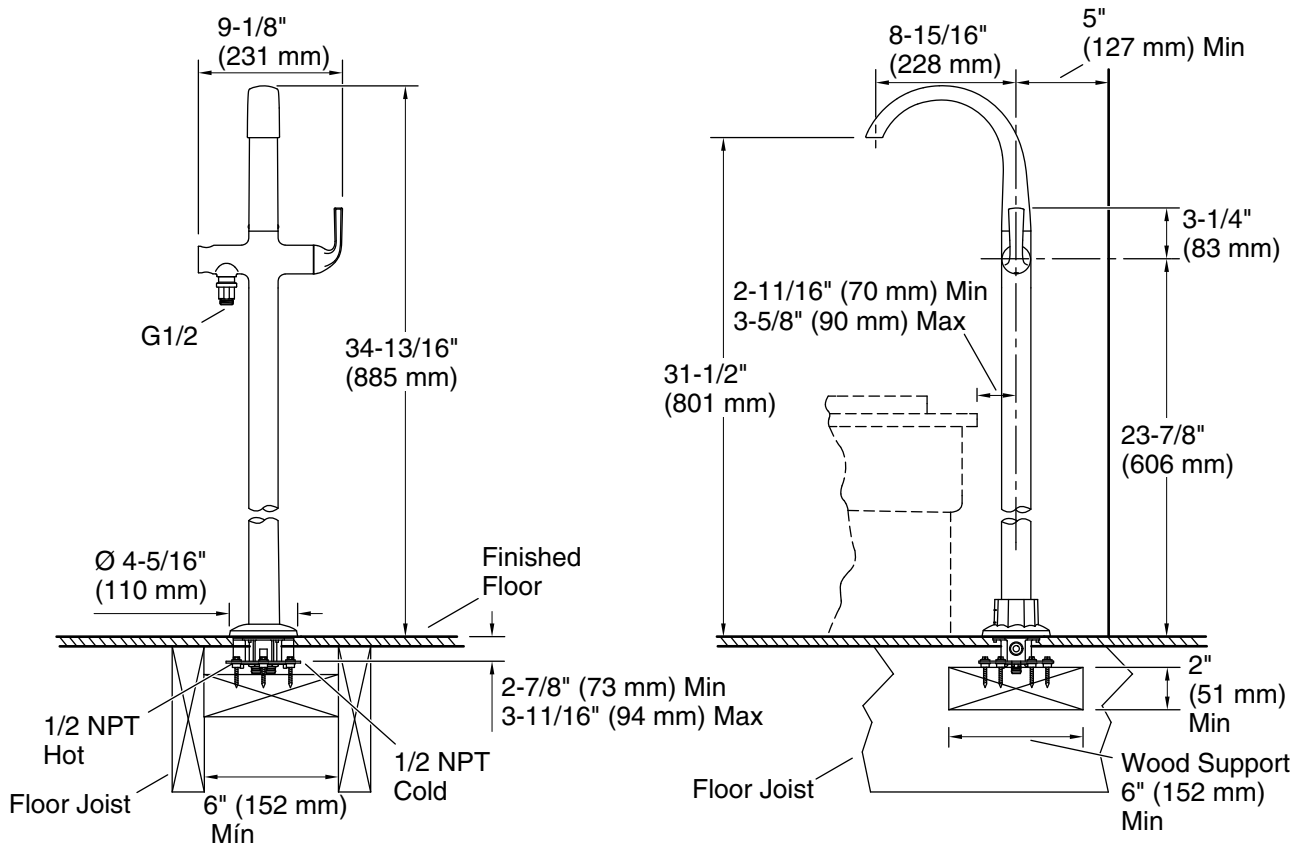
Color	Code	Description
	CP	Polished Chrome
	BAF	Brushed French Gold
	BN	Brushed Nickel
	BV	Brushed Bronze
	SN	Polished Nickel

1-888-4-KALLISTA (1-888-452-5547)

Kallista reserves the right to make revisions without notice to product specifications.

For the most current Specification Sheet, go to www.kallista.com.

2-14-2026 19:50 - US/CA



Technical Information

All product dimensions are nominal.

Faucet flow rate: 9 gal/min (34.1 l/min)

Spout:

Spout reach: 9-1/2" (241 mm)

Notes

Install this product according to the installation instructions.