

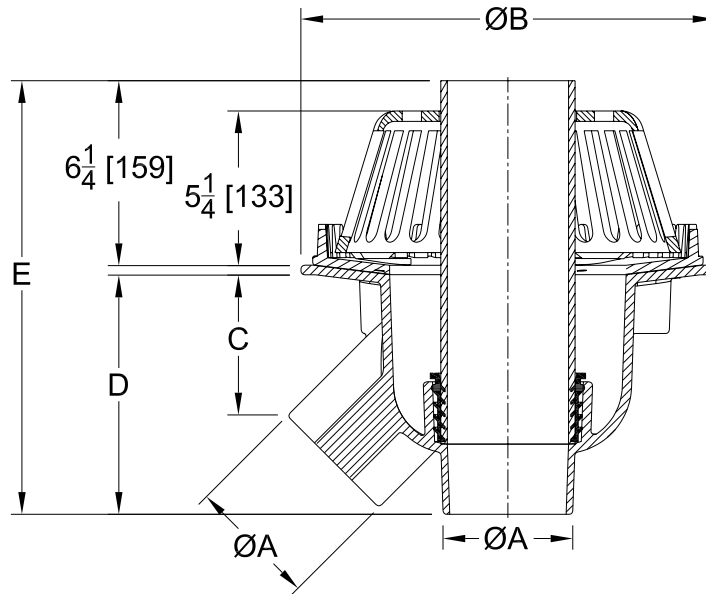


FROET 100C
BI-FUNCTIONAL DEEP SUMP DUAL OUTLET ROOF
DRAIN WITH DOME

SPECIFICATION SHEET

TAG _____

Design and Dimensional Data (inches and [mm]) are Subject to Manufacturing Tolerances and Change Without Notice



A Pipe Size In. [mm]	B In. [mm]	C In. [mm]	D In. [mm]	E In. [mm]	Approx. Wt. Lbs. [kg]	Dome Open Area Sq. In. [cm ²]
2 [51]	10-1/4 [260]	2-13/16 [71]	5 [127]	11-5/8 [295]	21 [6]	48 [310]
3 [76]	14 [356]	4-7/8 [124]	6-7/8 [175]	13-1/2 [343]	47 [21]	90 [581]
4 [102]	14 [356]	4-7/8 [124]	8 [203]	14-5/8 [371]	53 [24]	90 [581]
6 [152]	18 [457]	5-1/2 [140]	11-1/4 [286]	17-7/8 [454]	89 [40]	127 [819]
8 [203]	25 [635]	8-1/4 [210]	13-3/4 [349]	20-3/8 [518]	122 [55]	203 [1310]

ENGINEERING SPECIFICATION: ZURN FROET 100C

Froet Drain® bi-functional roof drain with 45° primary outlet connection. Powder coated cast iron† deep sump body with combination membrane flashing clamp/gravel guard, overflow pipe (2", 3", 4", 6", 8" [51mm, 76mm, 102mm, 152mm, 203mm]) with standard 5-1/4" [133mm] high cast iron dome and 6-1/4" [159mm] high cast iron overflow.

Pipe Size

2, 3, 4, 6, 8† [51, 76, 102, 152, 203]

Outlet (specify size)

_____ NH No-Hub

PREFIXES

_____ Z D.C.C.I. Body w/ Cast Iron Dome*

SUFFIXES

- | | | | |
|--------------|--|------------|---|
| _____ -C | Underdeck Clamp | _____ -ER2 | Elevation Ring (2" [51] Insulation)** |
| _____ -CFW | Control Flow Weir** | _____ -LP | Low Profile Dome |
| _____ -DP | Pop-Set® Deck Plate (2-1/4" [57] Elevation) | _____ -R | Roof Sump Receiver |
| _____ -DU | Cast Iron Dome on Overflow Pipe | _____ -ULP | Ultra Low Profile Dome** |
| _____ -E | Static Extension (2", 4", 6" [51, 102, 152])**++ | _____ -84 | Stainless Steel Perforated Gravel Guard (2", 4", 6" [51, 102, 152])** |
| _____ -ER1.5 | Elevation Ring (1-1/2" [38] Insulation)** | | |

* Regularly furnished unless otherwise specified.

** Not available on 2" [51] pipe size

++ Not available on 8" [203] pipe size

† Cast Aluminum Sump

⚠ **WARNING:** Cancer and Reproductive Harm - www.P65Warnings.ca.gov

⚠ **ADVERTENCIA:** Cáncer y daño reproductivo - www.P65Warnings.ca.gov

⚠ **AVERTISSEMENT:** Cancer et effets néfastes sur la reproduction - www.P65Warnings.ca.gov

Zurn Industries, LLC | Specification Drainage Operation
 1801 Pittsburgh Avenue, Erie, PA 16502, Ph. 855.663.9876

In Canada | Zurn Industries Limited
 7900 Goreway Drive, Unit 10, Brampton, Ontario L6T 5W6, Ph. 877.892.5216

www.zurn.com

Rev. J
 Date: 03/03/25
 C.N. No. 146610
 Patent zurn.com/patents
 Prod. | Dwg. No. FROET 100C