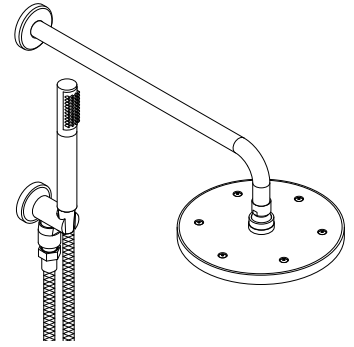




Location:



**SHOWERHEAD/HAND SHOWER ASSEMBLY**  
**MODEL: 0657-2SH-HS-2.0**  
**SPECIFICATION SUBMITTAL**

**FEATURE HIGHLIGHTS**

Shower/Hand Shower Assembly shall include shower arm with decorative flange, 1 mode showerhead, 1 mode hand shower and 2.0 gpm (7.6 L/min) flow restrictors.  
 Shower/Hand Shower Assembly shall be metal and nonmetallic construction plated in standard polished chrome finish.

**COMPLIANCE**

- ASME A112.18.1/CSA B125.1



**MODIFICATIONS**

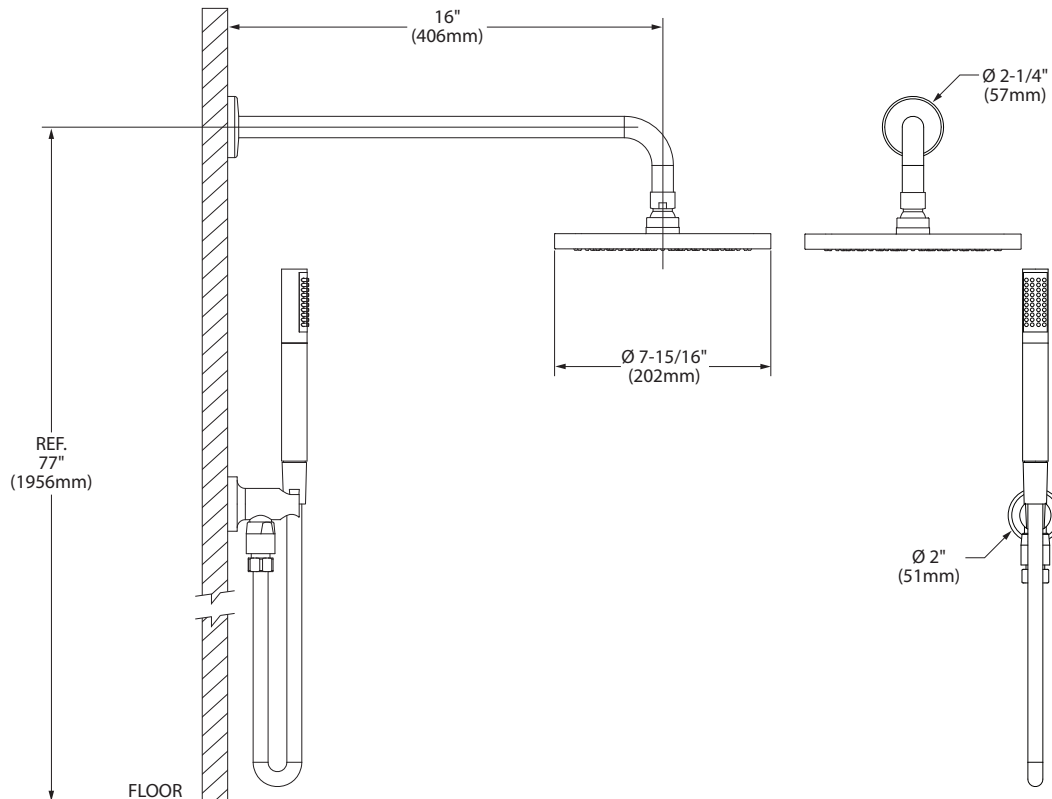
- 1.75 **CG** 1.75 gpm (6.6 L/min) flow restrictor

**Note:** Append appropriate -suffix to model number.

**WARRANTY**

**5 Years** - for industrial/commercial installations.  
 Refer to [symmons.com/warranty](http://symmons.com/warranty) for complete warranty information.

**DIMENSIONS**



**Note:** Dimensions subject to change without notice.