



Anthem® | K-26339

One-port recessed mechanical thermostatic valve

Features

- High-flow thermostatic mixing valve
- Mechanically controlled thermostatic mixing valve maintains outlet temperature throughout shower experience
- Up to 7 gpm (26.5 lpm) maximum flow rate at 45 psi (3.1 bar)
- 3/4" female NPT inlet
- 1/2" female NPT outlet
- Service stops with integral filters
- Antiscald protection
- Integrated adjustable high-temperature limit stop to control maximum water temperature
- Adjustable comfort setting (preset at approximately 104°F)



DISCONTINUED



Codes/Standards

ASME A112.18.1/CSA B125.1

ASSE 1016/ASME A112.1016/CSA B125.16

Valves

Included Valve: Thermostatic

Shower Valve

Flow Rate Maximum @ 45 psi: 7 gpm (26.5 l/min)

Pressure: 45 psi (3.1 bar)

Maximum Static Pressure: 125 psi (8.6 bar)

Minimum Operating Pressure: 20 psi (1.4 bar)

Material

- Cast dezincification-resistant brass body provides long term reliability and resistance to aggressive water conditions
-

Required Products/Accessories

- K-26345-9 One-outlet recessed mechanical thermostatic valve control
-

Warranty

See [website](#) for detailed warranty information.

KOHLER® Faucet Lifetime Limited Warranty

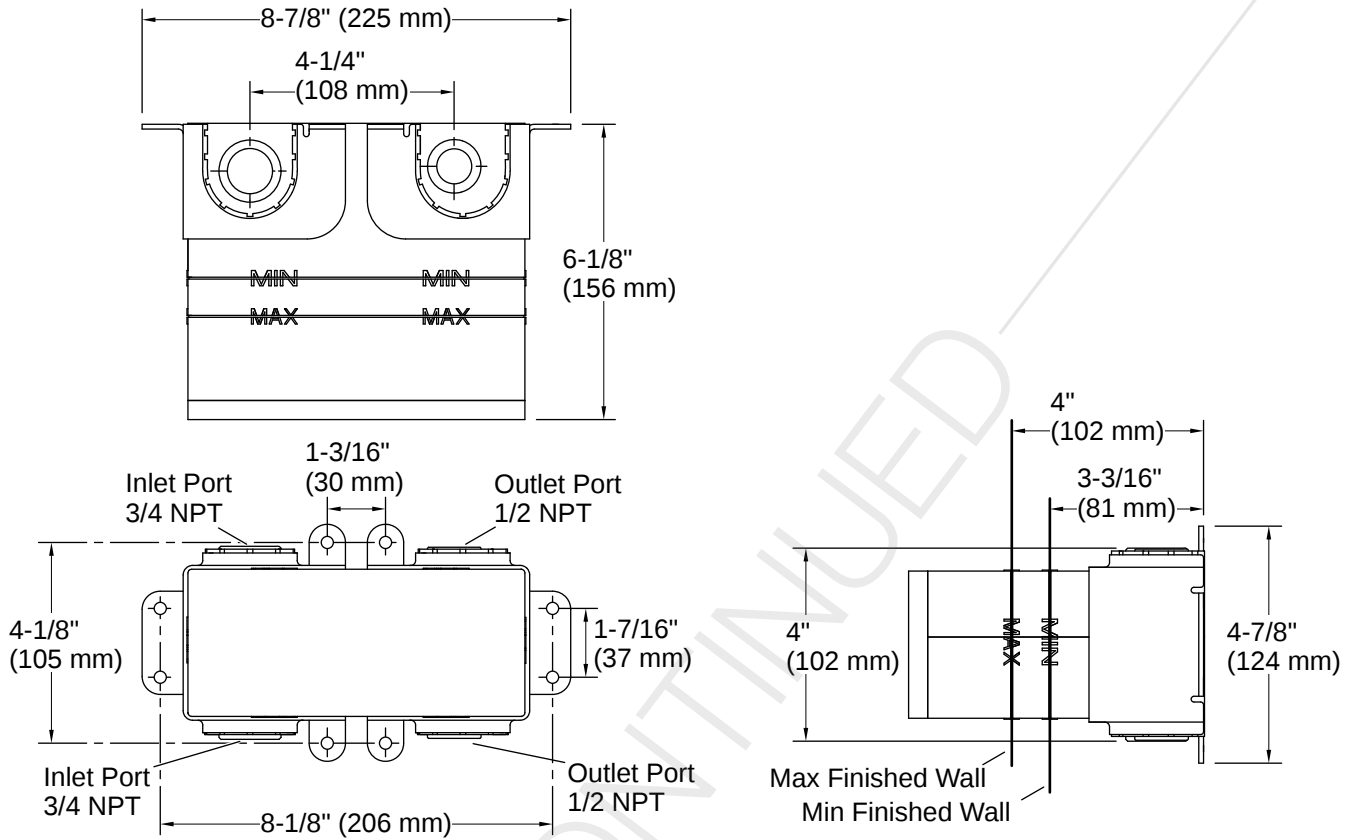


1-800-4KOHLER (1-800-456-4537)

Kohler Co. reserves the right to make revisions without notice to product specifications.

For the most current specification sheet, go to www.kohler.com USA or www.kohler.ca Canada.

7-03-2026 10:05 - US-CA



Installation

- Requires one-outlet thermostatic valve control panel trim with recessed push button (sold separately)
- Mounts within standard 2" x 4" (38 x 102 mm) walls
- Fully-serviceable from the front of the valve

Installation Notes

Install this product according to the installation instructions.

