

Installation Guide

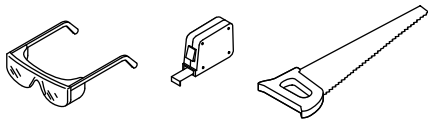
Apron-Front Kitchen Sink

Français, page "Français-1"
Español, página "Español-1"

1166709-2-B

THE BOLD LOOK
OF **KOHLER**®

Tools and Materials



Plus:

- Suitable Support Framing Material [3/4" (19 mm) Max Thickness]



Construction Adhesive

Wood Screws

100% Silicone Sealant

Painter's Tape

Before You Begin



WARNING: Risk of personal injury. Metal surfaces are sharp and can cause severe cuts. Use gloves and handle sink edges carefully.

IMPORTANT! Refer to the "Roughing-In" section for cabinet dimensional requirements.

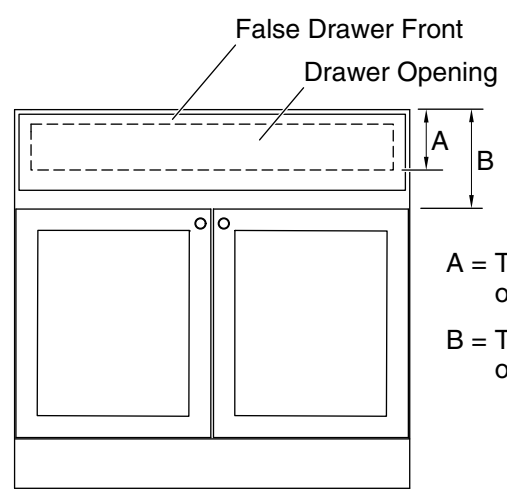
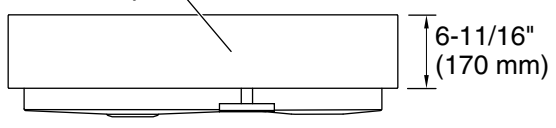
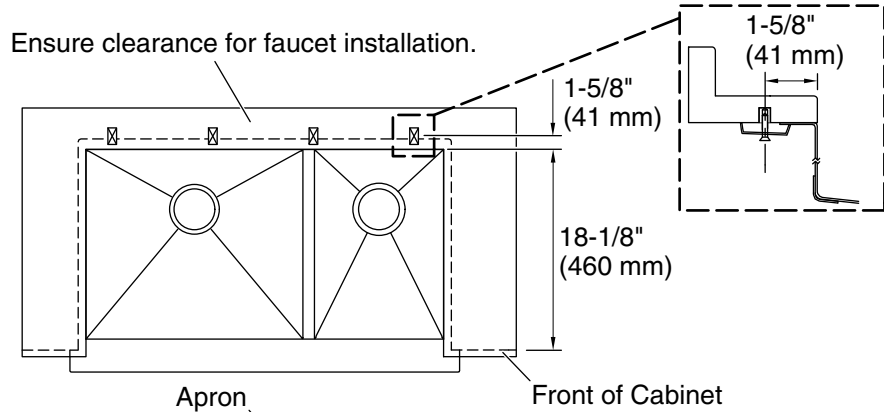
IMPORTANT! Install this sink before installing the countertop. Measure the cut-line from the front face of the cabinet.

IMPORTANT! Long screws may damage adjacent cabinets. Ensure that the screws are long enough to secure the support framing, but short enough so they do not extend through the walls of adjacent cabinets.

- Due to the nature of under-mount installations, Kohler Co. recommends that only trained and experienced installers perform under-mount sink installations.
- Use proper fasteners and techniques to ensure that the frame will support a minimum of 300 lbs (136 kg). Locate the fasteners for easy access in the event the sink needs to be removed in the future.
- **For K-3936 Only:** This sink is intended for installation into a standard 30" base cabinet.
- **For K-3943 and K-3945 Only:** This sink is intended for installation into a standard 36" base cabinet.
- Anchors and fasteners to be provided and installed by the countertop manufacturer.

Before You Begin (cont.)

- Observe all local plumbing and building codes.

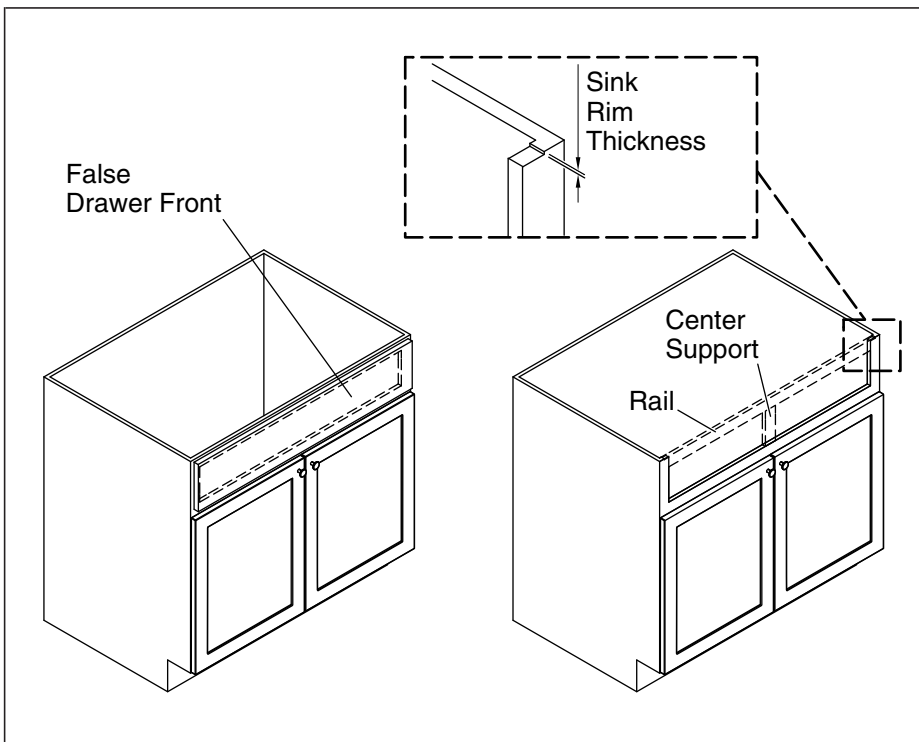


A = Top of Cabinet to Bottom of Drawer Opening

B = Top of Cabinet to Top of Doors

IMPORTANT! Before installing this sink, verify the opening height (A) is less than the apron height and the distance to the top of the doors (B) is greater than the apron height.

Roughing-In

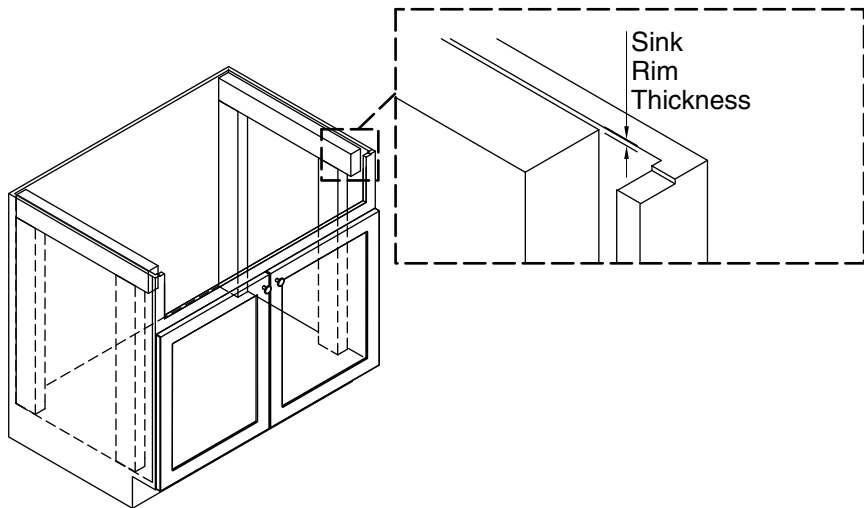


1. Preparation

- Remove the false drawer front from your cabinet. Use care not to damage the cabinet.

TIP: Apply painter's tape to the cabinet to mark cuts and protect cabinet surfaces when cutting.

- Carefully cut away the top rail and center support.
- Notch the cabinet as shown to accommodate the thickness of the sink rim. Top of sink should be flush with the top of the cabinet when installed.

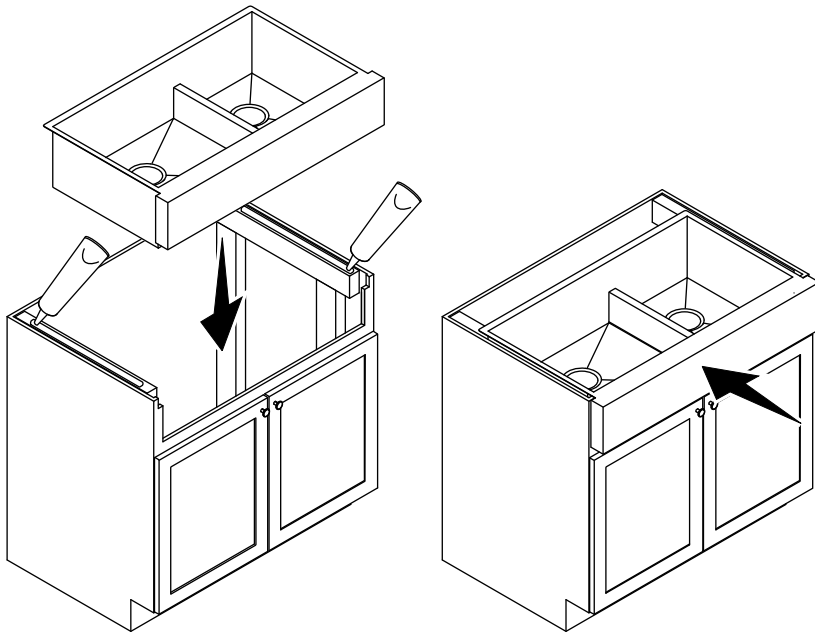


2. Install Support Framing

IMPORTANT! Horizontal and vertical support framing is required to support the weight of the sink.

NOTICE: For proper countertop installation, the top of the sink must not extend above the top of the cabinet.

- Cut two lengths of support framing to extend horizontally along the inside walls on each side of the cabinet.
- Measure and mark the support mounting locations; ensure that the sink rim will sit at or slightly below the top of the cabinet.
- Position and level the supports.
- Secure the supports with construction adhesive and screws (not provided).
- Cut four lengths of support framing to extend from the bottom of the installed supports to the floor of the cabinet.
- Secure the vertical supports with construction adhesive and screws (not provided).

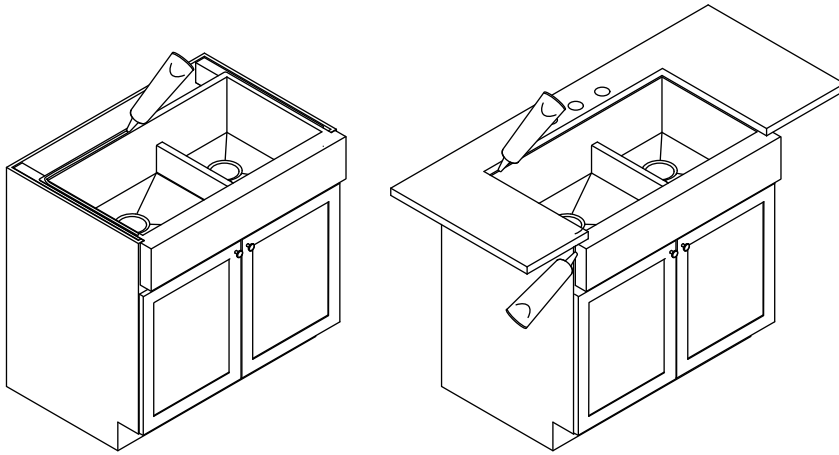


3. Install the Sink



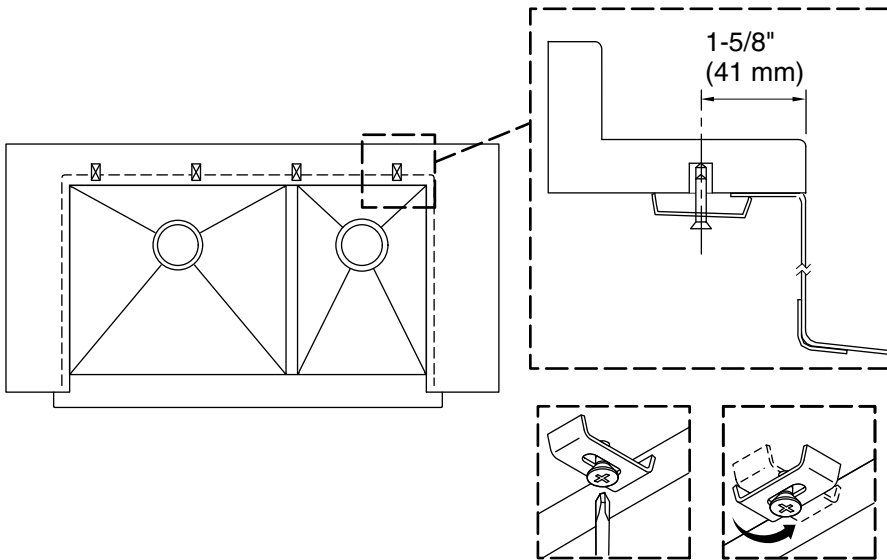
WARNING: Risk of personal injury. Metal surfaces are sharp and can cause severe cuts. Use gloves and handle sink edges carefully.

- Lower the sink into the cabinet. Verify that the sink is supported by the support framing.
- Verify that the sink is level. Make any necessary adjustments and shim as needed.
- Remove the sink from the cabinet.
- Apply a bead of 100% silicone sealant to the top of the support framing.
- Lower the sink onto the support framing, and push in to ensure that the apron is flush with the front of the cabinet.



4. Install the Countertop

- Apply a bead of 100% silicone sealant around the side and back of the sink.
- Install the countertop.
- Apply a thin bead of 100% silicone sealant where the sink meets the countertop and cabinet.
- Immediately wipe away any excess sealant.



5. Secure the Sink

NOTE: Anchors are pre-installed by the countertop manufacturer.

- Install the clips to the countertop. Ensure that each clip engages the rim. Tighten evenly.
- Wipe away any excess sealant.