

Features

- Large asymmetrical oval basin
- Trough-style basin allows for two-faucet application or striking large vanity installation
- No faucet holes; requires wall- or counter-mount faucet
- Includes color-matched brass drain cover
- Coordinates with other products in the Veil collection

Material

- Fireclay

Installation

- Vessel

Required Products/Accessories

For above-counter installation

K-33151 Clicker drain without overflow

K-7114 Pop-Up Drain

Recommended Products/Accessories

K-23726 Drain treatment

K-23725 Cast iron cleaner

Included Components

1331521 Drain Cover Kit



ADA

CSA B651

OBC

Codes/Standards

ASME A112.19.2/CSA B45.1

ADA

ICC/ANSI A117.1

CSA B651




OBC

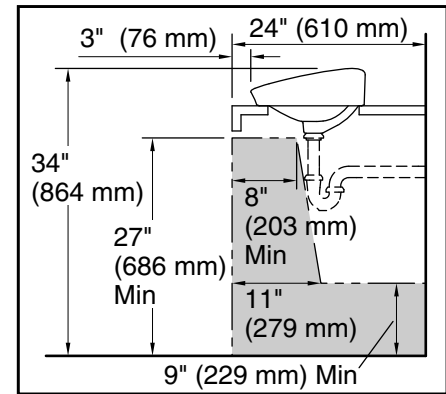
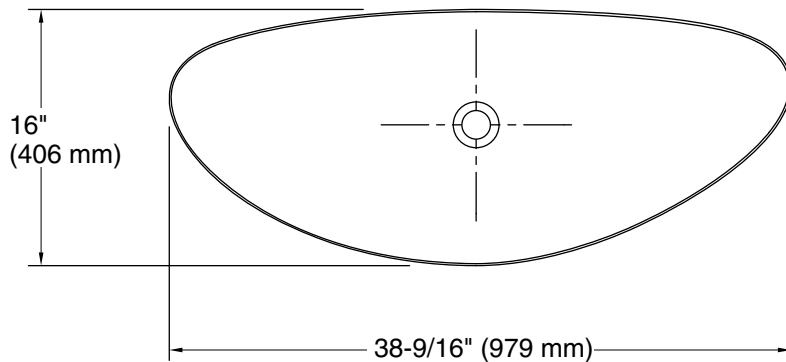
KOHLER® One-Year Limited Warranty

See website for detailed warranty information.

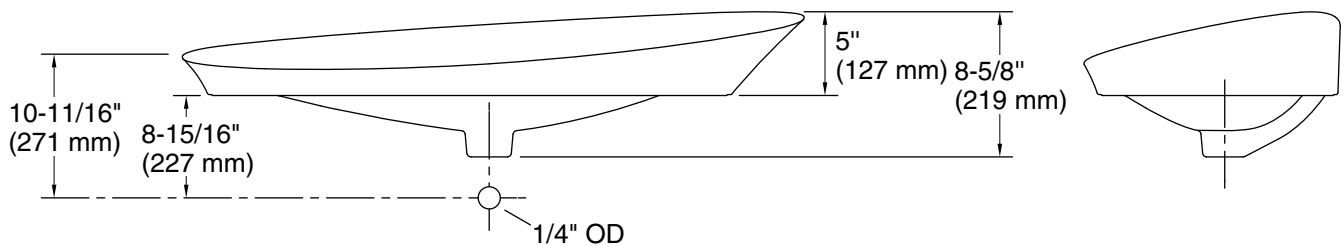
Available Colors/Finishes

Color tiles intended for reference only.

Color	Code	Description
	0	White
	96	Biscuit
	7	Black Black™



Recommended ADA Installation



Technical Information

All product dimensions are nominal.

Basin configuration:	Single Bowl
Bowl area:	Length: 37-7/8" (962 mm)
	Width: 15-1/2" (393 mm)
	Bowl depth: 3-1/2" (89 mm)
	Water depth: 2-13/16" (71 mm)
With overflow:	No
Drain hole:	1-3/4" (44 mm)
Template:	1317552-7, not required, included

Notes

Install this product according to the installation instructions.

NOTICE: Countertop manufacturer or cutter must use the cut-out template provided with the product, or a current one provided by Kohler Co. (call 1-800-4-KOHLER). Kohler Co. is not responsible for cutout errors when the incorrect cut-out template is used.

ADA, OBC, CSA B651 compliant when installed to the specific requirements of these regulations.