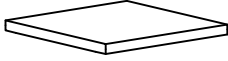


ASSEMBLY INSTRUCTION

END TABLE

A Table Top



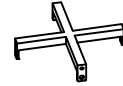
1 PC

B Leg



4 PCS

C Connecting Rod



1 PC

D Bolt
1/4"*3/4"



12 PCS

E Spring Washer
1/4"



12 PCS

F Flat Washer
1/4"

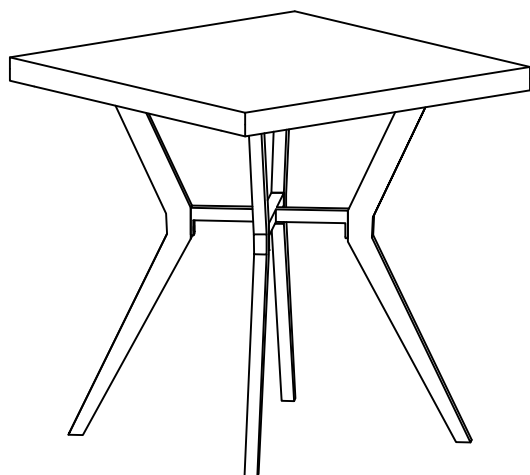


12 PCS

G Allen Key
M4



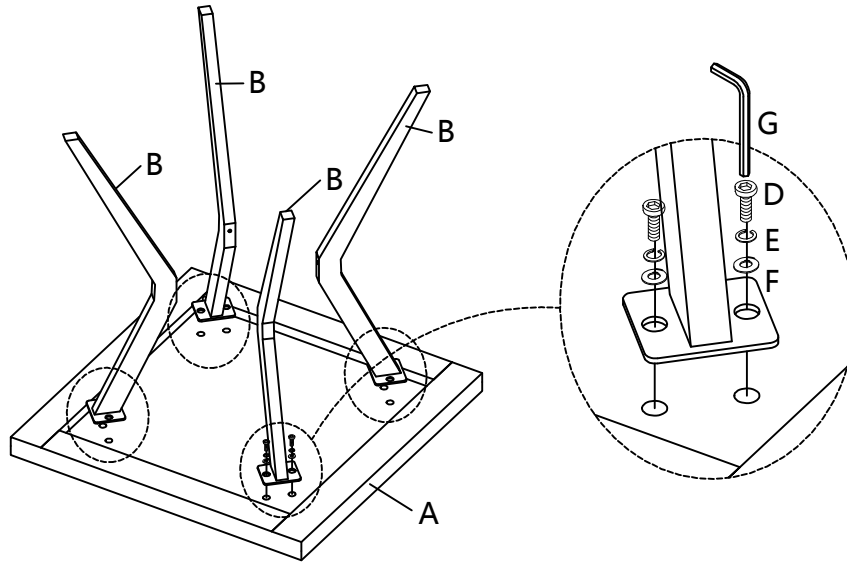
1 PC



This page lists all the contents included in the box. Please take the time to identify the hardware as well as the individual components to this product. As you unpack and prepare for assembly, place the contents on a carpeted or padded area to protect them from damage.

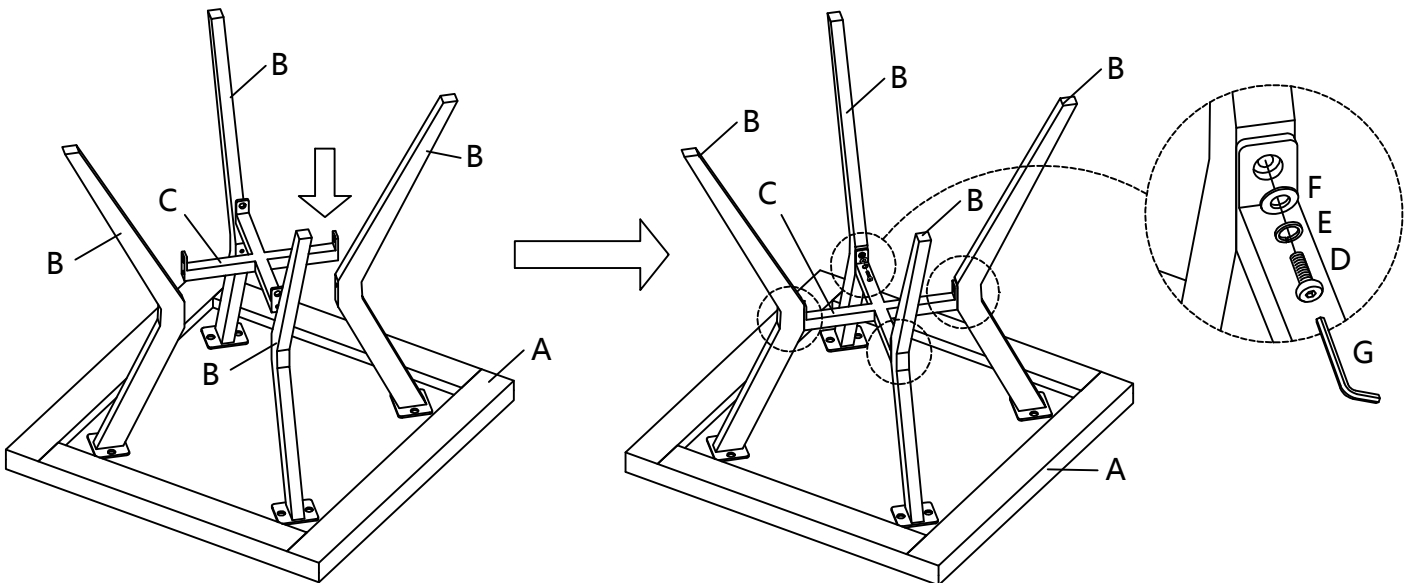
1 Attach Leg (B) to bottom of Table Top (A) using Bolt (D), Spring Washer (E), Flat Washer (F) with Allen Key (G).

Note: At this step, do not fully tighten the bolts.

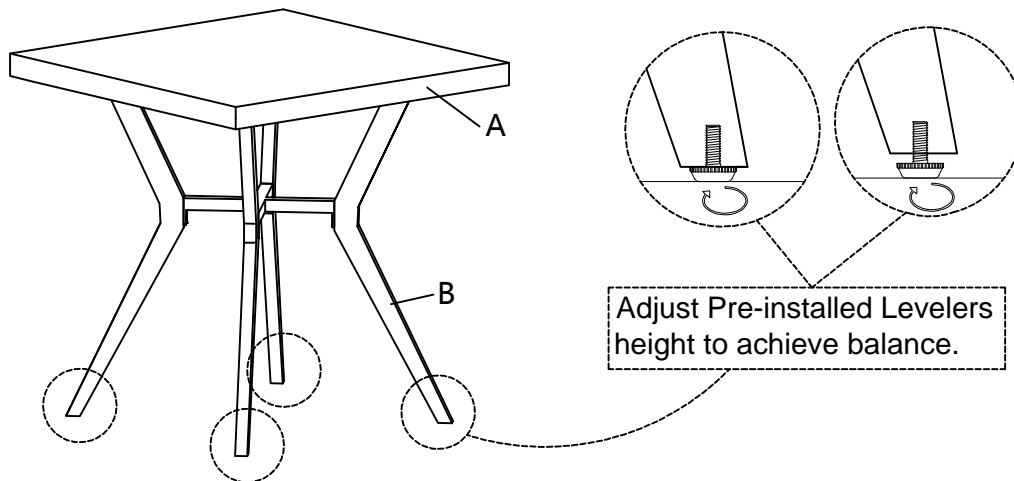


2 Attach Connecting Rod (C) to Leg (B) using Bolt (D), Spring Washer (E), Flat Washer (F) with Allen Key (G).

Note: Fully tighten all bolts at this step. First, the 4 bolts at Step 2, then the 8 bolts at Step 1.



-
- 3** With assistance from your adult partners, turn the End Table right way up. Adjust the Pre-installed Levelers on the bottom of Leg (B) until the End Table is level with the ground.



Cleaning & Care

Treat surface with care. Surface is resistant to scratches but is not scratch resistant. Clean surfaces with a dry or damp soft cloth. Do not use abrasive cleaners. Hardware may loosen over time. Periodically check that all connections are tight.